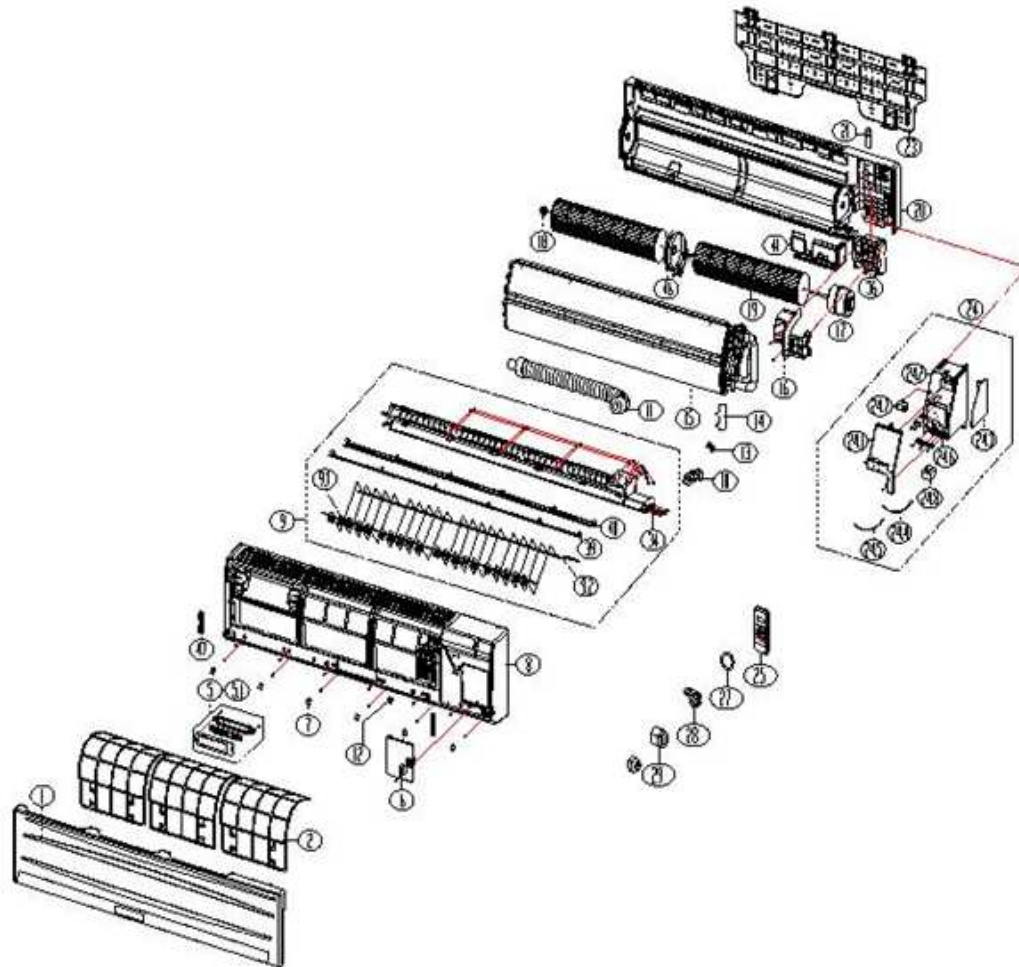


# EXPLODED DIAGRAM - PARTS VIEW

**Sales Model :** KSIL036-H215-I | 220033101390

**Power Supply :** 220-230V~ / 1ph / 60Hz



This information is to be used by qualified HVAC technicians only and is subject to revision without notice

KSIL036-H215-I - Drawing No. D2IL1202

DATE 12-01

## KSIL036-H215-I - SPARE PARTS LIST

No.	Part Number	Part Name	Specifications	Stock No.	Qty.	Price	Remarks
1	201133190205	Panel assembly			1	\$138.77	
2	201133190183	Air filter			3	\$9.21	
5	203333190104	Display box assembly			1	\$103.59	
5.1	201319902134	Display board assembly			1	\$86.00	
6	201133190209	Cover of indoor electronic control box			1	\$6.14	
7	201133190182	Screw cap			6	\$3.07	
8	201133190195	Panel frame assembly			1	\$125.64	
9	201133190217	Air outlet assembly			1	\$105.54	
9.1	P0000858966	Vertical vane			20		
9.2	P0000858991	Louver holder			1		
9.2	P0000956191	Louver holder			1		
9.2	P0000858983	Louver holder			1		
9.2	P0000858987	Louver holder			1		
10	202400200136	Louver motor			2	\$34.48	
11	201101020038	Drain hose			1	\$6.14	
12	201130490002	Baffle of temperature sensor			1	\$3.07	
13	201131390119	Temperature sensor clamp			1	\$3.07	
15	201533190088	Evaporator assembly			1	\$458.32	
16	201133190185	Fan motor cover			1	\$11.17	
17	202400401186	Asynchronous motor			1	\$162.50	
18	202733190001	Bearing base			1	\$3.07	
18	202730100201	Bearing base			1	\$3.07	
19	201100200308	Cross flow fan			1	\$66.45	
19	201100200309	Cross flow fan			1	\$66.45	
20	201133190208	Chassis assembly			1	\$182.60	
21	201232800001	Pipe clamp board			2	\$3.07	

This information is to be used by qualified HVAC technicians only and is subject to revision without notice

KSIL036-H215-I - Parts List No. P2IL1202

Above prices are subject to S&H charges

DATE 12-01

## KSIL036-H215-I - SPARE PARTS LIST

No.	Part Number	Part Name	Specifications	Stock No.	Qty.	Price	Remarks
23	201233190005	Installation plate			1	\$73.57	
24	203333190108	Electronic control box assembly			1	\$202.70	
24.1	201133190184	Cover of electronic control box			1	\$9.21	
24.2	201133190200	Electronic control box			1	\$39.79	
24.3	201333190136	Main control board assembly			1	\$130.95	
24.4	202301300092	Indoor temperature sensor assembly			1	\$6.14	
24.5	202301300080	Pipe temperature sensor assembly			1	\$6.14	
24.6	202301450128	Wire joint			1	\$9.21	JXZ-AD5Z-C
24.7	202401100353	Fan motor capacitor			1	\$6.14	
24.8	202300900167	Transformer			1	\$52.21	
25	203355091469	Remote Controller			1	\$34.48	
27	202720090001	Seal ring			1	\$3.07	
28	201101020011	Drain connecter			1	\$3.07	
29	201600330004	Nut			1	\$3.07	GLM-D04
29	201600330002	Nut			1	\$3.07	GLM-B02
34	201132390954	Insulated axis			4	\$3.07	
36	201133190186	Base of fan motor			1	\$13.96	
39	201133190192	Horizontal louver (above)			1	\$23.87	
40	201133190191	Horizontal louver (below)			1	\$23.87	
41	201133190187	Front cover of chassis			1	\$13.96	
46	201133190190	Fan holder assembly			1	\$11.17	
47	201132390476	Mandril of Panel			2	\$3.07	

This information is to be used by qualified HVAC technicians only and is subject to revision without notice

KSIL036-H215-I - Parts List No. P2IL1202

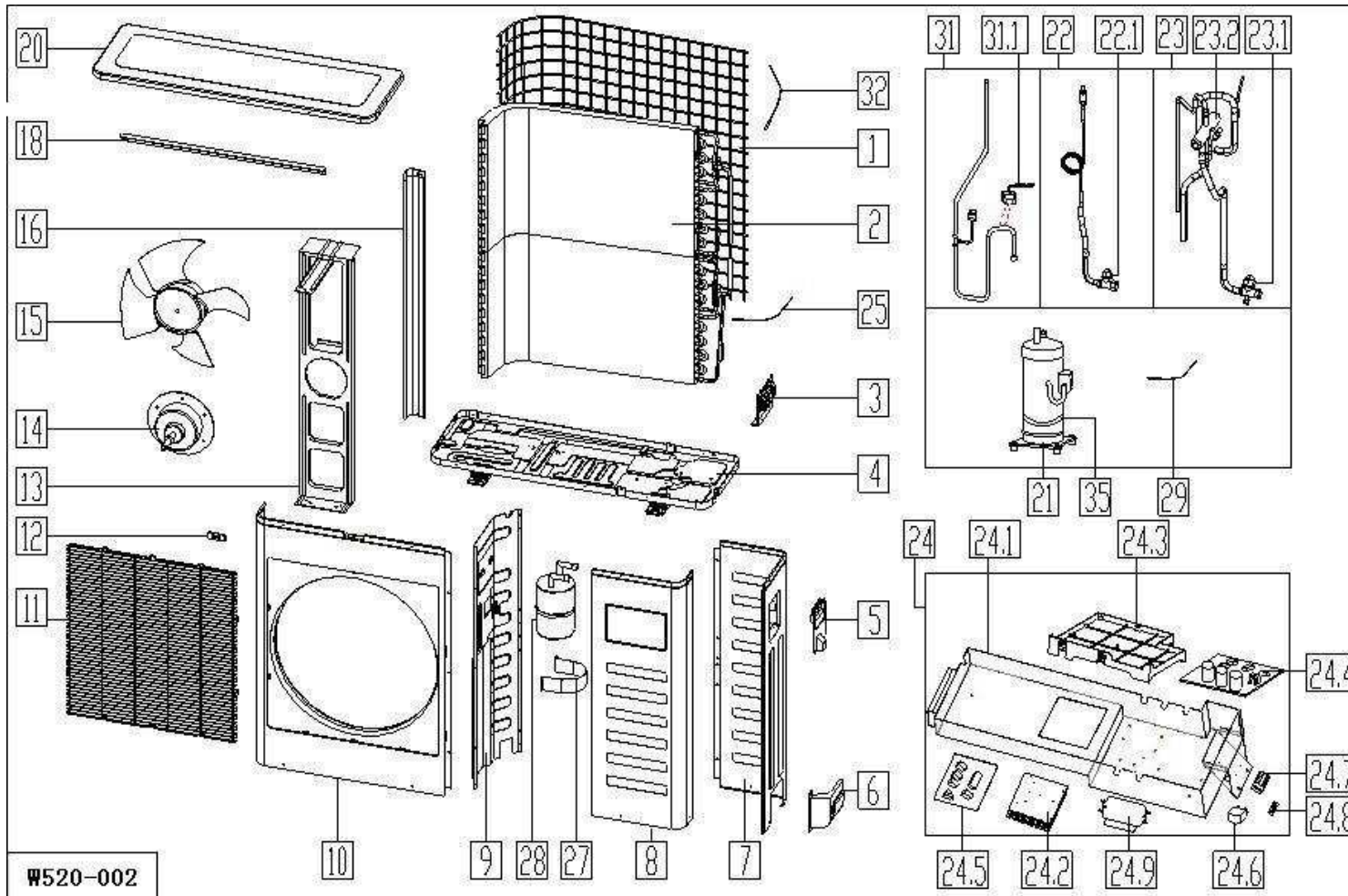
Above prices are subject to S&H charges

DATE 12-01

# EXPLODED DIAGRAM - PARTS VIEW

**Sales Model :** KSIL036-H215-O | 220038101300

**Power Supply :** 208-230V~ /1 ph / 60Hz



This information is to be used by qualified HVAC technicians only and is subject to revision without notice

KSIL036-H215-O - Drawing No. D11L1202

DATE 12-01

## KSIL036-H215-O - SPARE PARTS LIST

No.	Part Number	Part Name	Specifications	Stock No.	Qty.	Price	Remarks
1	2011487G0001	Rear net			1	\$13.96	
2	201538190031	Condenser assembly			1	\$616.63	
3	201248790014	Valve plate			1	\$13.96	
4	201257190101	Chassis assembly			1	\$136.81	
5	201237390104	Big handle			1	\$9.21	
6	201148790000	Water collector			1	\$11.17	
7	201248700256	Rear right clapboard assembly			1	\$72.31	
8	201248700263	Front right clapboard assembly			1	\$70.36	
9	201257290010	Partition board assembly			1	\$75.94	
10	201248700271	Front panel			1	\$99.68	
11	201248700279	Air outlet grille			1	\$42.72	
12	201135110801	Clamp of front net			10	\$3.07	
13	201275590200	Supporter assembly of fan motor			1	\$75.94	
14	202400400956	Asynchronous motor			1	\$251.29	YDK180-8GB
15	201100300145	Axial flow fan			1	\$76.22	
16	201248700262	Left supporter			1	\$19.54	
18	2012487G0011	Rear net frame			1	\$9.21	
20	201257190096	Top cover assembly			1	\$76.22	
21	201401500220	Compressor			1	\$1,584.08	
22	201638190489	liquid valve assembly			1	\$78.32	
22.1	201600740699	Liquid valve			1	\$45.09	
23	201675590827	4-way valve assembly			1	\$256.87	
23.1	201600770802	Gas valve			1		
23.2	201600600124	4-Ways valve			1	\$221.13	
24	203338190097	Electronic control box assembly			1	\$1,013.38	
24.1	201275590179	Electronic control box			1	\$70.36	

This information is to be used by qualified HVAC technicians only and is subject to revision without notice

KSIL036-H215-O - Parts List No. P11L1202

Above prices are subject to S&H charges

DATE 12-01

## KSIL036-H215-O - SPARE PARTS LIST

No.	Part Number	Part Name	Specifications	Stock No.	Qty.	Price	Remarks
24.2	202301901085	Radiator			1	\$130.95	
24.3	201157390005	Installation plate of PCB			1	\$16.75	
24.4	201338190047	Main control board assembly			1	\$272.51	
24.5	201357290001	Inverter control board assembly			1	\$336.16	
24.6	202401190046	Fan motor capacitor			1	\$13.96	
24.7	202301450118	Wire joint			1	\$9.21	
24.8	201135000004	Insulation plate			1	\$3.07	
25	202301300111	Pipe temperature sensor assembly			1	\$9.21	
27	201245000901	Fix clamp of segregator			1	\$6.14	
28	201601000074	Accumulator cylinder			1	\$128.99	
29	202448200000	Discharge temperature sensor			1	\$11.17	
31	201675590834	Discharge pipe assembly			1	\$142.40	
31.1	202301820020	Pressure switch			1	\$39.79	
32	202301300196	Indoor temperature sensor assembly			1	\$6.14	
35	202495030150	Electric heater of chassis			1		

This information is to be used by qualified HVAC technicians only and is subject to revision without notice

KSIL036-H215-O - Parts List No. P1IL1202

Above prices are subject to S&H charges

DATE 12-01