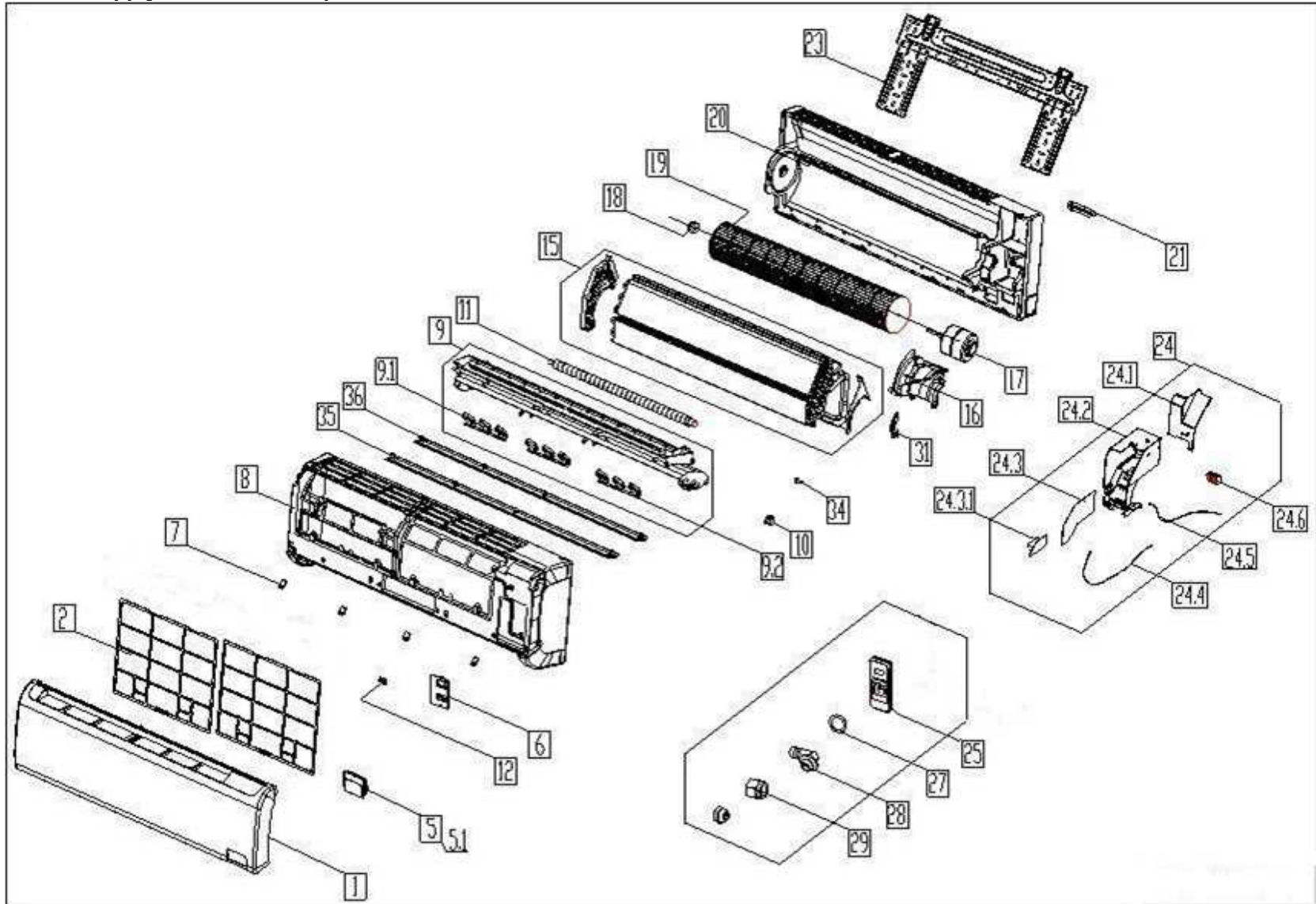


# EXPLODED DIAGRAM - PARTS VIEW

Sales Model: KSIL018-H216-I

Power Supply : 208-230V~ / 1ph / 60Hz



This information is to be used by qualify AC technicians only

KSIL1816- Drawing No. D2IL16181301

Above information subject to revision without notice

DATE 13-01

## KSIL018-H216-I - SPARE PARTS LIST

No.	Part No.	Part Name	Specifications	Stock No.	Qty	Price	Remarks
1	W I 1 1 3 3 0 9 0 4 5 5	Panel assembly			1	\$ 75.94	
2	W I 1 1 3 3 0 9 0 4 5 9	Air filter			2	\$ 9.21	
5	W I 3 3 3 2 8 9 0 2 9 2	Display box assembly			1	\$ 66.45	
5.1	W I 1 3 3 2 3 9 0 8 0 4	Display board assembly			1	#N/A	
6	W I 1 1 3 3 0 9 0 4 5 2	Cover of indoor electronic control box			1	\$ 3.07	
7	W I 1 1 3 3 0 9 0 6 2 3	Screw cap			4	\$ 3.07	
8	W I 1 1 3 3 0 9 0 9 3 8	Panel frame assembly			1	\$ 70.70	
9	W I 1 1 3 3 0 9 0 4 5 8	Air outlet assembly			1	\$ 68.82	
9.1	W I 1 1 3 3 0 9 0 4 4 0	Vertical vane			12	\$ 3.07	
9.2	W I 1 1 3 2 8 0 0 0 7 9	Louver holder			3	\$ 3.07	
10	W I 2 4 0 0 2 0 0 0 0 4	Louver motor			1	\$ 23.87	
11	W I 1 1 0 1 0 2 0 0 3 8	Drain hose			1	\$ 6.14	
15	W I 1 5 3 2 9 9 0 0 3 8	Evaporator assembly			1	\$265.80	
16	W I 1 1 3 3 0 9 0 1 9 6	Fan motor cover			1	\$ 9.21	
17	W I 2 4 0 0 4 0 0 9 3 1	Asynchronous motor			1	\$137.37	
18	W I 2 7 3 0 1 0 0 2 0 1	Bearing base			1	\$ 3.07	
19	W I 1 1 0 0 2 G 0 0 0 1	Cross flow fan			1	\$ 76.22	
20	W I 1 1 3 3 0 9 0 4 2 2	Chassis assembly			1	\$136.81	
21	W I 1 2 3 2 8 0 0 0 0 1	Pipe clamp board			1	\$ 3.07	
23	W I 1 2 3 2 9 9 0 0 0 1	Installation plate			1	\$ 23.87	
24	W I 3 3 3 2 8 9 0 4 0 4	Electronic control box assembly			1	\$209.40	
24.1	W I 1 1 3 3 0 9 0 1 6 6	Cover of electronic control box			1	\$ 11.17	
24.2	W I 1 1 3 3 0 9 0 1 6 5	Electronic control box			1	\$ 23.87	
24.3	W I 1 3 3 2 8 9 0 3 7 1	Main control board assembly			1	\$174.22	
24.3.1	W I 2 4 0 1 2 7 0 0 0 7	Fan motor capacitor			1	\$ 6.14	

This information is to be used by qualify technicians only

KSIL1816- Part list No. P2IL16181301

Above prices, numbers, specifications subject to revision without notice

Drawing No. D2IL16181301

Above prices are subject S & H charges

DATE 13-01

## KSIL018-H216-I - SPARE PARTS LIST

No.	Part No.	Part Name	Specifications	Stock No.	Qty	Price	Remarks
24.4	W I 2 3 0 1 3 0 0 0 9 2	Indoor temperature sensor assembly			1	\$ 6.14	
24.5	W I 2 3 0 1 3 0 0 0 7 7	Pipe temperature sensor assembly			1	\$ 6.14	
24.6	W I 2 3 0 1 4 5 0 1 1 9	Wire joint			1	\$ 9.21	
25	W I 3 3 5 5 0 9 1 4 6 9	Remote Controller			1	\$ 34.48	
27	W I 2 7 2 0 0 9 0 0 0 1	Seal ring			1	\$ 3.07	
28	W I 1 1 0 1 0 2 0 0 1 1	Drain connecter			1	\$ 3.07	
29	W I 1 6 0 0 3 3 0 0 0 2	Nut			1	\$ 3.07	
29	W I 1 6 0 0 3 3 0 0 0 4	Nut			1	\$ 3.07	
31	W I 1 1 3 3 0 9 0 1 6 7	Fixing board of fan motor			1	\$ 3.07	
34	W I 1 1 3 1 3 9 0 1 4 9	insulated axis			2	\$ 3.07	
35	W I 1 1 3 3 0 9 0 9 3 9	Horizontal louver (above)			1	\$ 16.75	
36	W I 1 1 3 3 0 9 0 9 4 0	Horizontal louver (below)			1	\$ 16.75	
39	W I 1 1 0 2 0 0 0 3 0 5	Fix clamp of temperature sensor			1	\$ 3.07	

This information is to be used by qualify technicians only

KSIL1816- Part list No. P2IL16181301

Above prices, numbers, specifications subject to revision without notice

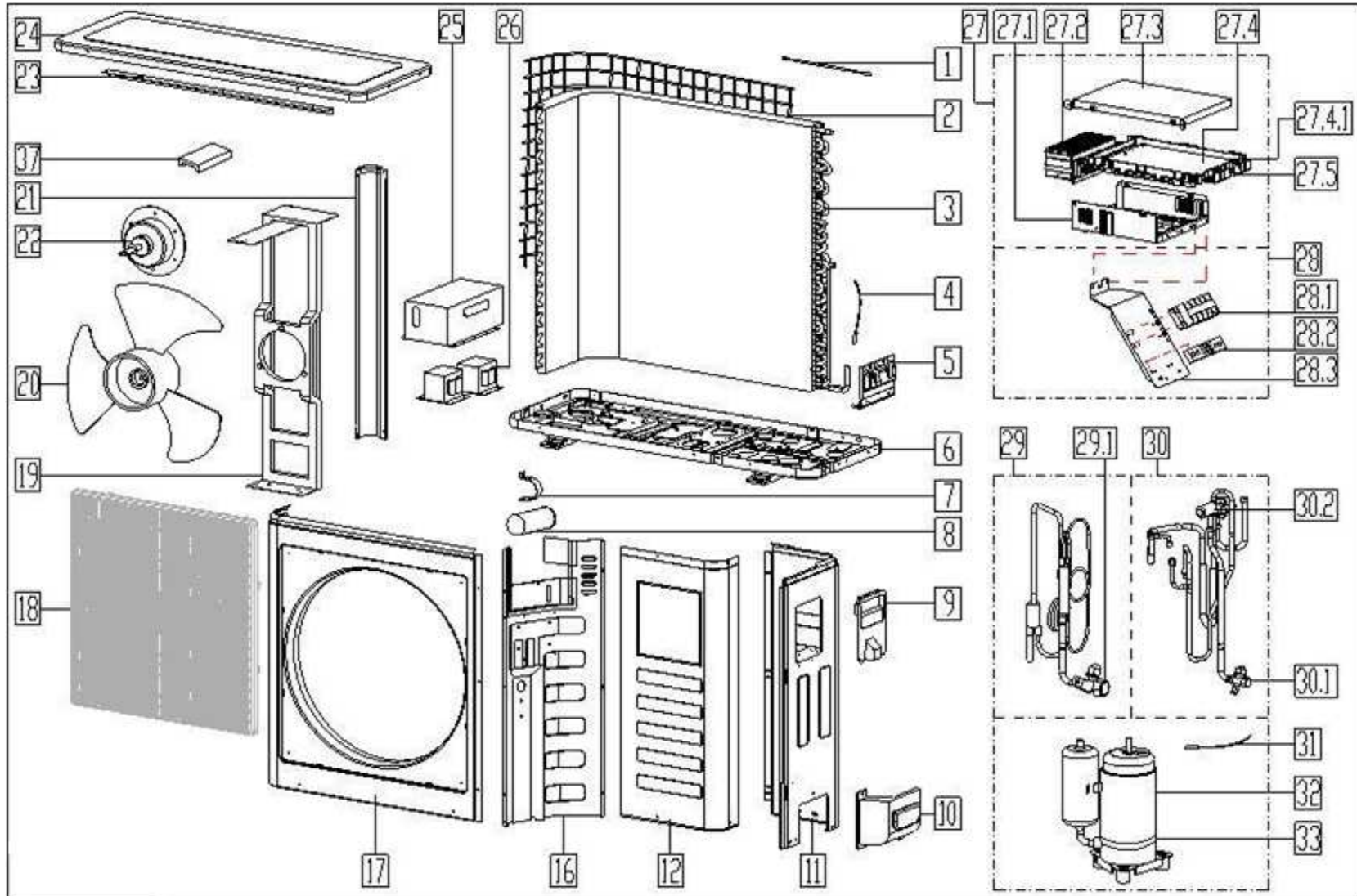
Drawing No. D2IL16181301

Above prices are subject S & H charges

DATE 13-01

# EXPLODED DIAGRAM - PARTS VIEW

Sales Model: KSIL018-H216-O  
Power Supply: 208-230V~ / 1ph / 60Hz



This information is to be used by qualified AC technicians only  
Above information subject to revision without notice

KSIL1816- Drawing No. D11L16181301  
DATE 13-01

## KSIL018-H216-O - SPARE PARTS LIST

No.	Part No.	Part Name	Specifications	Stock No.	Qty	Price	Remarks
1	HM 2 3 0 1 3 1 0 0 7 5	Indoor temperature sensor assembly			1	\$ 6.14	
2	HM 1 1 4 8 1 G 0 0 0 1	Rear net			1	\$ 11.17	
3	HM 1 5 3 7 9 9 0 0 3 6	Condenser assembly			1	\$360.73	
4	HM 2 4 4 0 5 0 0 0 0 4	Pipe temperature sensor assembly			1	\$ 6.14	
5	HM 1 2 3 7 3 0 0 2 8 5	Valve plate			1	\$ 6.14	
6	HM 1 2 5 7 0 9 0 0 5 4	Chassis assembly			1	\$ 93.81	
7	HM 1 2 0 0 1 0 0 0 2 6	Capacitor clip			1	\$ 3.07	
8	HM 2 4 0 1 0 0 0 6 1 2	Capacitor of compressor			1	\$ 26.52	
9	HM 1 2 3 7 3 9 0 1 0 4	Big handle			1	\$ 9.21	
10	HM 1 1 3 7 3 9 0 0 1 7	Water collector			1	\$ 9.21	
11	HM 1 2 3 7 8 9 0 1 0 0	Rear right clapboard assembly			1	\$ 54.58	
12	HM 1 2 4 8 1 0 0 3 5 0	Front right clapboard assembly			1	\$ 42.72	
16	HM 1 2 3 7 7 9 0 0 3 1	Partition board assembly			1	\$ 45.09	
17	HM 1 2 4 8 1 0 0 3 5 9	Front panel			1	\$ 83.06	
18	HM 1 2 3 7 8 9 0 1 1 2	Air outlet grille			1	\$ 39.79	
19	HM 1 2 4 8 1 G 0 0 3 9	Supporter assembly of fan motor			1	\$ 52.21	
20	HM 1 1 4 5 5 0 0 0 2	Axial flow fan			1	\$ 75.94	
21	HM 1 2 4 8 1 0 0 3 6 7	Left supporter			1	\$ 16.75	
22	HM 2 4 0 0 4 0 0 1 7 3	Asynchronous motor			1	\$194.33	
23	HM 1 2 4 8 1 0 0 0 7 6	Rear supporter			1	\$ 9.21	
24	HM 1 2 4 8 1 0 0 3 6 3	Top cover assembly			1	\$ 66.45	
25	HM 1 2 4 8 0 9 0 0 0 1	Cover of inductance			1	\$ 16.75	
26	HM 2 3 0 1 0 0 0 8 1 9	Reactance			1	\$ 75.94	
26	HM 2 3 0 1 0 5 0 0 2 6	Reactance			1	\$130.67	
27	HM 3 3 3 8 0 9 0 2 0 2	Electronic control box assembly			1	\$434.86	
27.1	HM 1 2 3 7 3 0 0 0 3 3	Electronic control box			1	\$ 9.21	
27.2	HM 2 3 0 1 9 0 0 1 1 2	Radiator			1	\$ 75.94	
27.3	HM 1 2 3 7 3 0 0 1 6 2	Cover of electronic control box			1	\$ 9.21	
27.4	HM 1 3 3 8 0 9 0 0 4 6	Main control board assembly			1	\$400.66	
27.4.1	HM 2 4 0 1 2 0 0 1 5 2	Fan motor capacitor			1	\$ 3.07	
27.5	HM 1 1 3 7 3 0 0 1 6 2	Supporter of electronic control box			1	\$ 9.21	

This information is to be used by qualify technicians only

KSIL1816- Part list No. P1IL16181301

Above prices, numbers, specifications subject to revision without notice

Drawing No. D1IL16181301

Above prices are subject S & H charges

DATE 13-01

## KSIL018-H216-O - SPARE PARTS LIST

No.	Part No.	Part Name	Specifications	Stock No.	Qty	Price	Remarks
28	HM 3 3 3 7 9 9 0 1 6 1	Terminal board assembly			1	\$ 45.09	
28.1	HM 2 3 0 1 4 5 0 1 1 8	Wire joint			1	\$ 9.21	
28.2	HM 1 1 3 5 0 0 0 0 0 4	Insulation plate			1	\$ 3.07	
28.3	HM 1 2 3 7 8 9 0 0 6 4	Terminal board			1	\$ 6.14	
29	HM 1 6 3 7 8 9 0 8 9 3	Liquid valve assembly			1	\$ 73.57	
29.1	HM 1 6 0 0 7 4 0 7 0 4	Liquid valve			1	\$ 39.79	
30	HM 1 6 3 7 9 9 0 4 8 7	4-way valve assembly			1	\$ 232.86	
30.1	HM 1 6 0 0 7 2 0 2 9 6	Gas valve			1	\$ 64.08	
30.2	HM 1 6 0 0 6 9 0 0 1 1	4-Ways valve			1	\$ 17.03	
31	HM 2 3 0 1 3 1 0 0 6 8	Discharge temperature sensor assembly			1	\$ 1.12	
32	HM 1 4 0 0 6 0 0 5 3 0	Compressor			1	\$ 262.17	
33	HM 2 4 0 3 1 0 0 5 0 1	Crankcase electric heater			1	\$ 2.51	
37	HM 2 2 4 5 5 0 0 0 0 1	Fan motor fixing foam			1	\$ 0.28	
42	HM 1 1 3 5 1 1 0 8 0 1	Clamp of front net			8	\$ 0.28	

This information is to be used by qualify technicians only

Above prices, numbers, specifications subject to revision without notice

Above prices are subject S & H charges

KSIL1816- Part list No. P1IL16181301

Drawing No. D1IL16181301

DATE 13-01