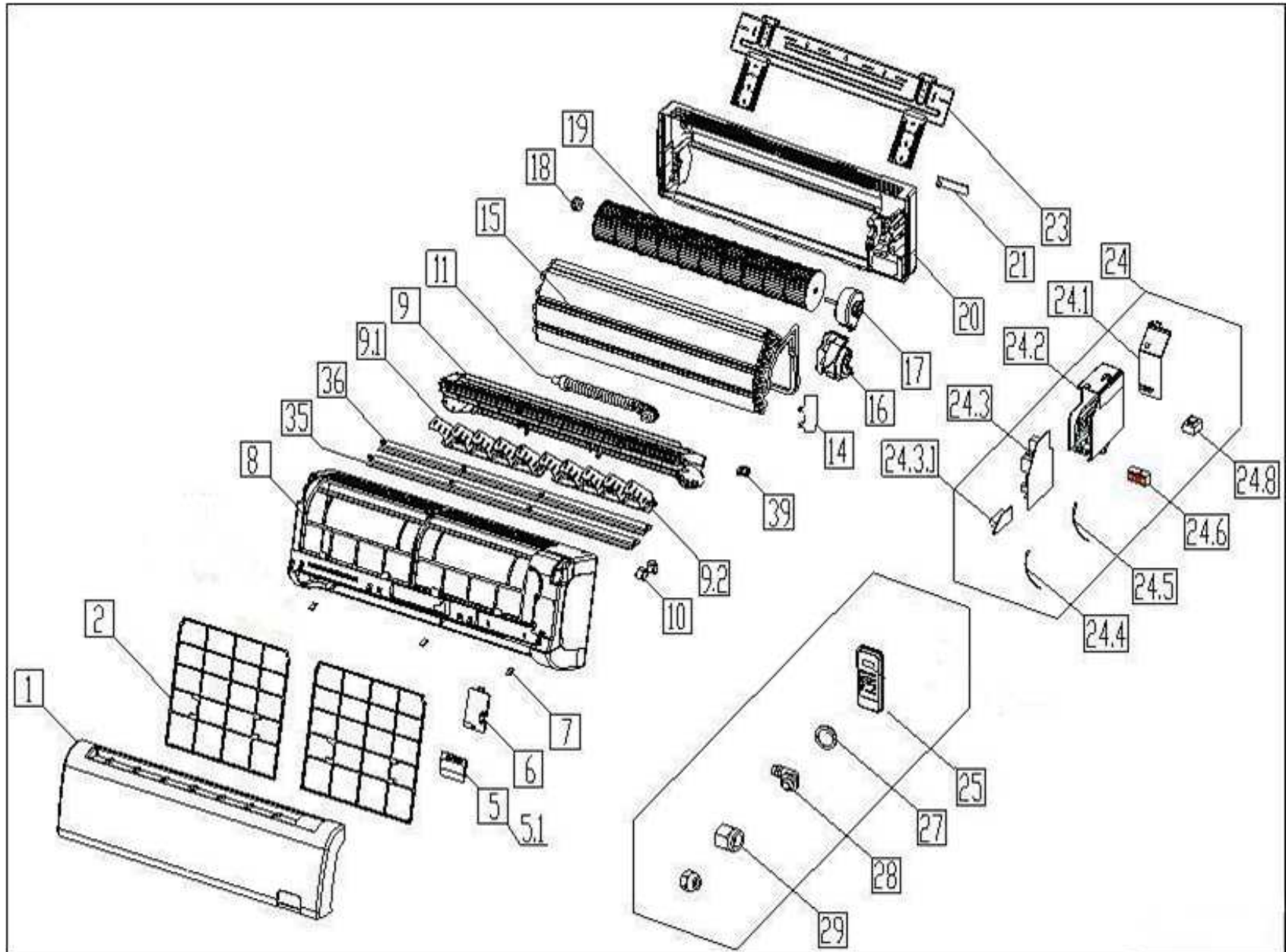


EXPLODED DIAGRAM - PARTS VIEW

Sales Model: KSIL012-H216-I
Power Supply: 208-230V~ / 1ph / 60Hz



This information is to be used by qualify AC technicians only
Above information subject to revision without notice

KSIL1216- Drawing No. D2IL6121301

DATE 13-01

KSIL012-H216-I - SPARE PARTS LIST

No.	Part No.	Part Name	Specifications	Stock No.	Qty	Price	Remarks
1	W I 1 1 3 2 8 9 0 6 0 9	Panel assembly			1	\$ 54.58	
2	W I 1 1 3 2 8 9 0 2 6 9	Air filter			2	\$ 6.14	
5	W I 3 3 3 2 8 9 0 2 9 2	Display box assembly			1	\$ 66.45	
5.1	W I 1 3 3 2 3 9 0 8 0 4	Display board assembly			1	#N/A	
6	W I 1 1 3 2 8 9 0 6 5 8	Cover of indoor electronic control box			1	\$ 3.07	
7	W I 1 1 3 2 8 9 0 6 1 9	Screw cap			3	\$ 3.07	
8	W I 1 1 3 2 8 9 0 6 1 6	Panel frame assembly			1	\$ 66.45	
9	W I 1 1 3 2 8 9 0 2 7 3	Air outlet assembly			1	\$ 54.58	
9.1	W I 1 1 3 0 2 9 0 2 1 2	Vertical vane			12	\$ 3.07	
9.2	W I 1 1 3 0 2 1 0 0 6 6	Louver holder			3	\$ 3.07	
10	W I 2 4 0 0 2 0 0 1 2 0	Louver motor			1	\$ 16.75	
11	W I 1 1 0 1 0 2 0 0 3 8	Drain hose			1	\$ 6.14	
14	W I 1 1 3 0 3 1 0 3 5 0	Waterproof board			1	\$ 3.07	
15	W I 1 5 3 2 7 9 0 0 5 9	Evaporator assembly			1	\$261.34	
16	W I 1 1 3 2 7 9 0 1 2 8	Fan motor cover			1	\$ 6.14	
17	W I 2 4 0 0 3 0 0 4 1 9	Asynchronous motor			1	\$105.54	
18	W I 2 7 3 0 1 0 0 2 0 1	Bearing base			1	\$ 3.07	
19	W I 1 1 0 0 2 0 0 0 1 4	Cross flow fan			1	\$ 71.20	
20	W I 1 1 3 2 7 9 0 5 5 5	Chassis assembly			1	\$ 78.18	
21	W I 1 2 3 2 8 0 0 0 0 1	Pipe clamp board			1	\$ 3.07	
23	W I 1 2 3 2 7 9 0 0 0 8	Installation plate			1	\$ 13.96	
24	W I 3 3 3 2 5 9 0 8 9 3	Electronic control box assembly			1	\$190.98	
24.1	W I 1 1 3 2 8 0 0 1 6 1	Cover of electronic control box			1	\$ 9.21	
24.2	W I 1 1 3 0 2 1 0 0 6 9	Electronic control box			1	\$ 29.18	
24.3	W I 1 3 3 2 5 9 0 7 2 0	Main control board assembly			1	\$120.62	
24.3.1	W I 2 4 0 1 2 0 0 0 0 1	Fan motor capacitor			1	\$ 3.07	
24.4	W I 2 4 3 2 3 9 0 0 0 5	Indoor temperature sensor assembly			1	\$ 3.07	
24.5	W I 2 3 0 1 3 0 0 0 8 0	Pipe temperature sensor assembly			1	\$ 6.14	
24.6	W I 2 3 0 1 4 5 0 1 1 9	Wire joint			1	\$ 9.21	
24.8	W I 2 3 0 0 9 0 0 5 7 3	Transformer			1	\$ 45.09	
25	W I 3 3 5 5 0 9 1 4 6 9	Remote Controller			1	\$ 34.48	
27	W I 2 7 2 0 0 9 0 0 0 1	Seal ring			1	\$ 3.07	
28	W I 1 1 0 1 0 2 0 0 1 1	Drain connecter			1	\$ 3.07	

This information is to be used by qualify technicians only

Above prices, numbers, specifications subject to revision without notice

Above prices are subject S & H charges

KSIL1216- Part list No. P2IL16121301

Drawing No. D2IL6121301

DATE 13-01

KSIL012-H216-I - SPARE PARTS LIST

No.	Part No.	Part Name	Specifications	Stock No.	Qty	Price	Remarks
29	W 1 6 0 0 3 3 0 0 0 1	Nut			1	\$ 3.07	
29	W 1 6 0 0 3 3 0 0 0 3	Nut			1	\$ 3.07	
35	W 1 1 3 2 8 9 0 6 1 7	Horizontal louver (above)			1	\$ 13.96	
36	W 1 1 3 2 8 9 0 6 1 8	Horizontal louver (below)			1	\$ 11.17	
39	W 1 1 0 2 0 0 0 3 0 5	Fix clamp of temperature sensor			1	\$ 3.07	

This information is to be used by qualify technicians only

KSIL1216- Part list No. P2IL16121301

Above prices, numbers, specifications subject to revision without notice

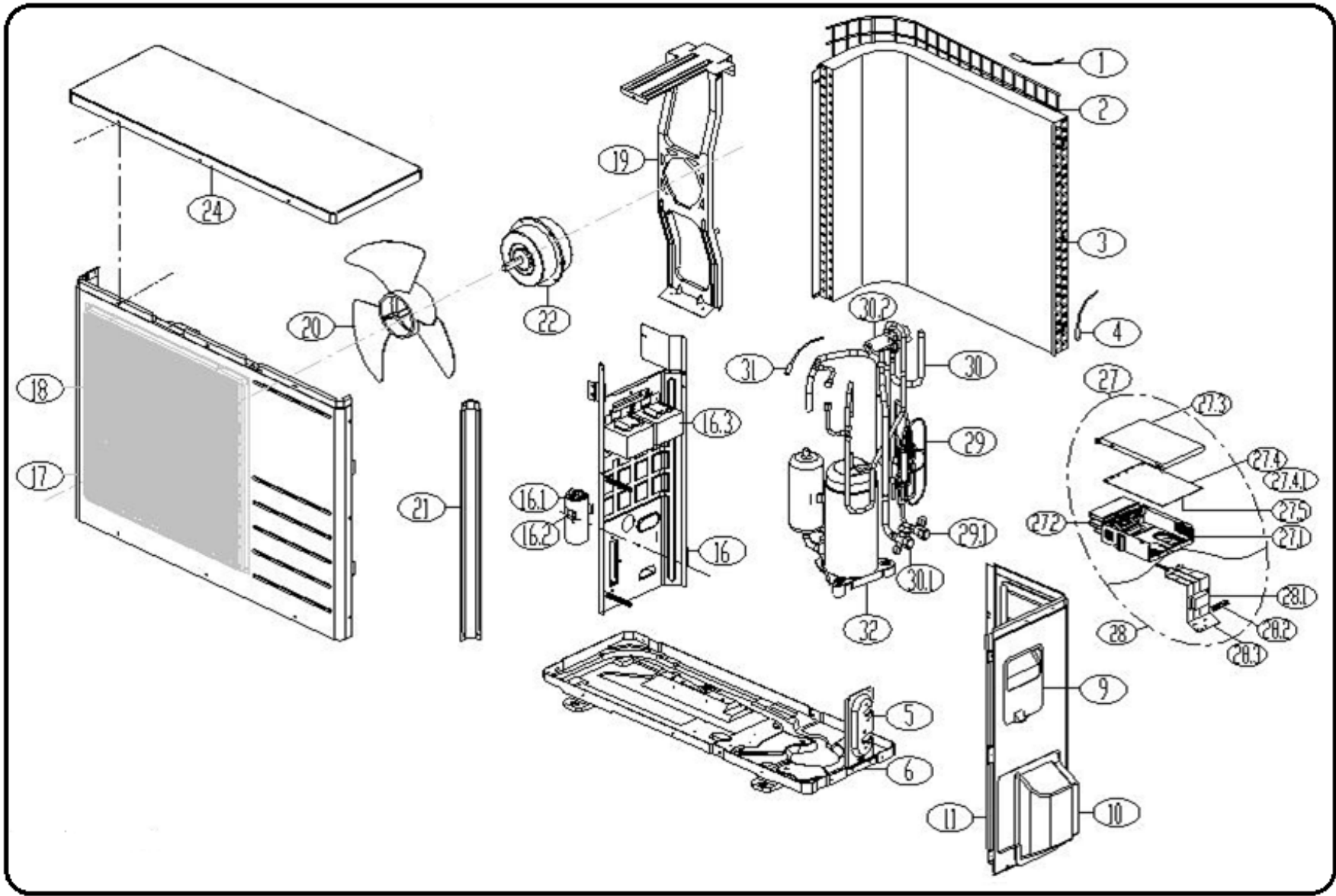
Drawing No. D2IL6121301

Above prices are subject S & H charges

DATE 13-01

EXPLODED DIAGRAM - PARTS VIEW

Sales Model: KSIL012-H216-O
Power Supply : 208-230V~ / 1ph / 60Hz



This information is to be used by qualify AC technicians only
Above information subject to revision without notice

KSIL1216- Drawing No. D11L16121301

DATE 13-01

KSIL012-H216-O - SPARE PARTS LIST

No.	Part No.	Part Name	Specifications	Stock No.	Qty	Price	Remarks
1	H M 2 3 0 1 3 0 0 1 6 0	Indoor temperature sensor assembly			1	\$ 6.14	
2	H M 1 1 3 7 4 G 0 0 0 3	Rear net			1	\$ 6.14	
3	H M 1 5 3 7 3 9 0 0 3 3	Condenser assembly			1	#####	
4	H M 2 4 4 0 5 0 0 0 0 4	Pipe temperature sensor assembly			1	\$ 6.14	
5	H M 1 2 3 7 2 0 0 2 8 2	Valve plate			1	\$ 6.14	
6	H M 1 2 3 7 5 9 0 0 9 3	Chassis assembly			1	\$ 74.27	
9	H M 1 2 3 7 3 9 0 1 0 4	Big handle			1	\$ 9.21	
10	H M 1 1 3 7 4 0 0 0 0 0	Water collector			1	\$ 13.96	
11	H M 1 2 3 7 5 9 0 0 8 0	Rear right clapboard assembly			1	\$ 47.47	
16	H M 1 2 3 7 5 0 0 2 1 3	Partition board assembly			1	#####	
16.1	H M 2 4 0 1 0 0 0 6 1 2	Capacitor of compressor			1	\$ 26.52	
16.2	H M 1 2 0 0 1 0 0 0 0 2	Capacitor clip			1	\$ 3.07	
16.3	H M 2 3 0 1 0 0 0 8 2 0	Reactance			1	\$ 78.32	
16.3	H M 2 3 0 1 0 0 0 8 1 9	Reactance			1	\$ 75.94	
17	H M 1 2 3 7 4 0 0 3 9 2	Front panel			1	\$ 78.18	
18	H M 1 1 3 7 5 9 0 0 1 7	Air outlet grille			1	\$ 34.48	
19	H M 1 2 3 7 3 9 0 0 1 6	Supporter assembly of fan motor			1	\$ 37.13	
20	H M 1 1 0 0 3 0 0 5 0 2	Axial flow fan			1	\$ 31.83	
21	H M 1 2 3 7 4 0 0 4 0 0	Left supporter			1	\$ 9.21	
22	H M 2 4 0 0 4 0 0 3 0 4	Asynchronous motor			1	#####	
24	H M 1 2 3 7 4 0 0 4 0 5	Top cover assembly			1	\$ 45.09	
27	H M 3 3 3 7 3 9 0 1 5 3	Electronic control box assembly			1	#####	
27.1	H M 1 2 3 7 3 0 0 0 3 3	Electronic control box			1	\$ 9.21	
27.2	H M 2 3 0 1 9 0 1 0 4 3	Radiator			1	\$ 45.09	
27.3	H M 1 2 3 7 3 0 0 1 6 2	Cover of electronic control box			1	\$ 9.21	

This information is to be used by qualify technicians only

KSIL1216- Part list No. P1IL16121301

Above prices, numbers, specifications subject to revision without notice

Drawing No. D1IL16121301

Above prices are subject S & H charges

DATE 13-01

KSIL012-H216-O - SPARE PARTS LIST

No.	Part No.	Part Name	Specifications	Stock No.	Qty	Price	Remarks
27.4	H M 1 3 3 7 3 9 0 0 8 4	Main control board assembly			1	#####	
27.4.1	H M 2 4 0 1 2 0 0 1 5 2	Fan motor capacitor			1	\$ 3.07	
27.5	H M 1 1 3 7 3 0 0 1 6 2	Supporter of electronic control box			1	\$ 9.21	
28	H M 3 3 3 7 5 9 0 0 4 9	Terminal board assembly			1	\$ 47.47	
28.1	H M 2 3 0 1 4 0 0 2 2 3	Wire joint			1	\$ 13.96	
28.2	H M 1 1 3 5 0 0 0 0 0 4	Insulation plate			1	\$ 3.07	
28.3	H M 1 2 3 7 5 9 0 0 4 6	Terminal board			1	\$ 9.21	
29	H M 1 6 3 7 5 9 1 0 3 0	Liquid valve assembly			1	\$ 75.94	
29.1	H M 1 6 0 0 7 4 0 5 2 3	Liquid valve			1	\$ 29.18	
30	H M 1 6 3 7 5 9 0 8 2 0	4-way valve assembly			1	#####	
30.1	H M 1 6 0 0 7 2 0 1 9 5	Gas valve			1	\$ 49.84	
30.2	H M 1 6 0 0 6 9 0 0 1 0	4-Ways valve			1	#####	
31	H M 2 3 0 1 3 1 0 0 6 8	Discharge temperature sensor assembly			1	\$ 11.17	
32	H M 1 4 0 0 6 2 0 6 0 0	Compressor			1	#####	

This information is to be used by qualify technicians only

Above prices, numbers, specifications subject to revision without notice

Above prices are subject S & H charges

KSIL1216- Part list No. P1IL16121301

Drawing No. D1IL16121301

DATE 13-01