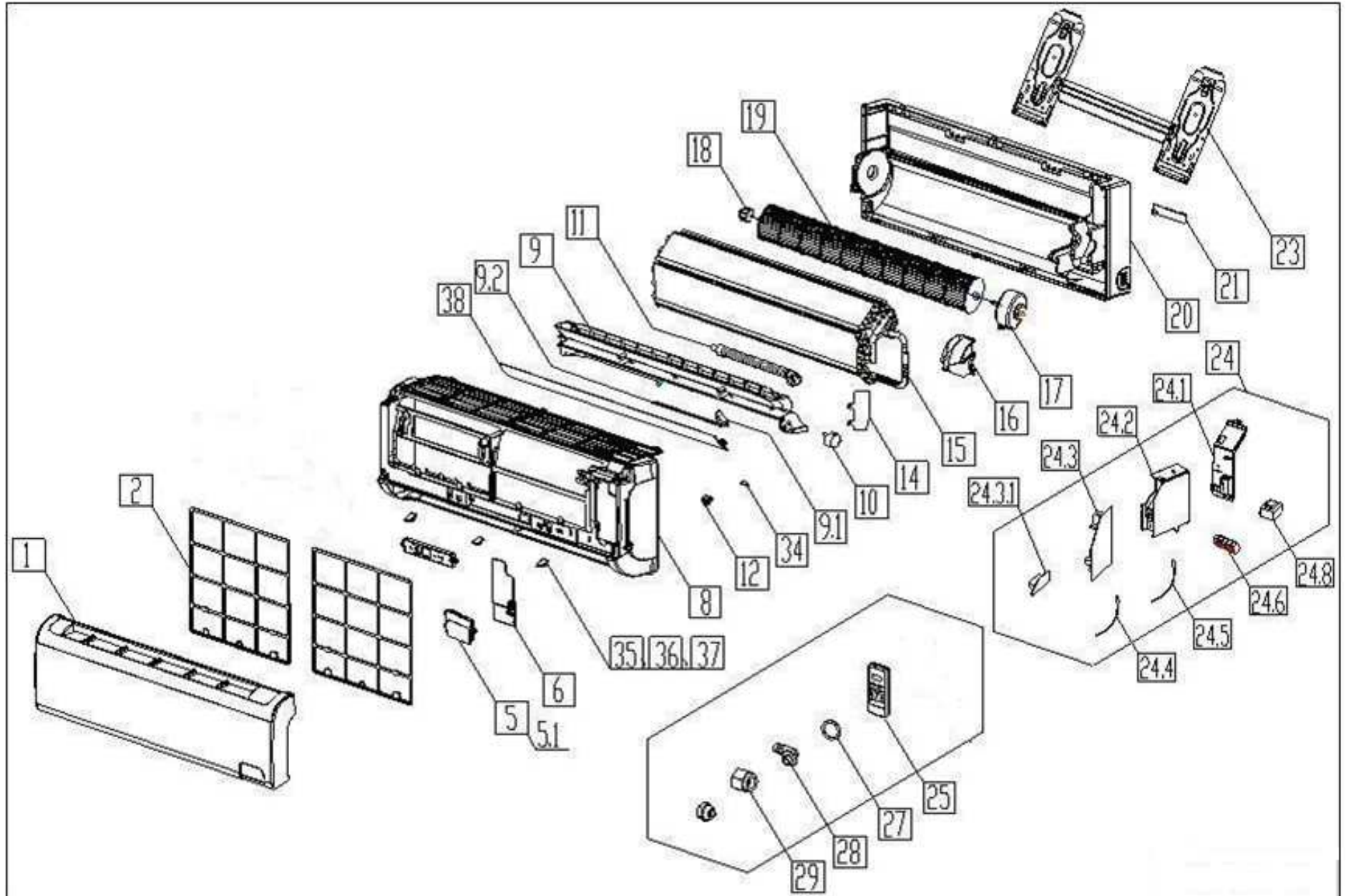


EXPLODED DIAGRAM - PARTS VIEW

Sales Model : KSIL009-H216-I

Power Supply : 208-230V~ / 1ph / 60Hz



This information is to be used by qualify AC technicians only

KSIL0916- Drawing No. D2IL16091301

Above information subject to revision without notice

DATE 13-01

KSIL009-H216-I - SPARE PARTS LIST

No.	Part No.	Part Name	Specifications	Stock No.	Qty	Price	Remarks
1	H M 1 1 3 2 5 9 0 4 6 4	Panel assembly			1	\$ 39.79	
2	H M 1 1 3 2 5 9 0 4 6 2	Air filter			2	\$ 3.07	
5	H M 3 3 3 2 3 9 0 6 6 1	Display box assembly			1	\$ 56.96	
5.1	H M 1 3 3 2 3 9 1 3 7 2	Display board assembly			1	#N/A	
6	H M 1 1 3 2 5 9 0 4 6 3	Cover of indoor electronic control box			1	\$ 3.07	
8	H M 1 1 3 2 5 9 0 9 1 8	Panel frame assembly			1	\$ 39.79	
9	H M 1 1 3 2 5 9 0 8 6 2	Air outlet assembly			1	\$ 42.72	
9.1	H M 1 1 3 2 5 9 0 4 4 5	Vertical vane			10	\$ 3.07	
9.2	H M 1 1 3 0 4 1 0 3 5 8	Louver holder			2	\$ 3.07	
10	H M 2 4 0 0 2 0 0 0 0 6	Louver motor			1	\$ 11.17	
11	H M 1 1 0 1 0 2 0 0 3 8	Drain hose			1	\$ 6.14	
14	H M 1 1 3 0 3 1 0 3 5 0	Waterproof board			1	\$ 3.07	
15	H M 1 5 3 2 3 9 0 1 7 1	Evaporator assembly			1	\$232.44	
16	H M 1 1 3 0 4 9 0 1 0 6	Fan motor cover			1	\$ 6.14	
17	H M 2 4 0 0 3 0 0 1 3 7	Asynchronous motor			1	\$ 91.86	
18	H M 2 7 3 0 1 0 0 2 0 1	Bearing base			1	\$ 3.07	
19	H M 1 1 0 0 2 0 0 0 3 9	Cross flow fan			1	\$ 42.72	
20	H M 1 1 3 2 5 9 0 9 1 9	Chassis assembly			1	\$ 64.08	
21	H M 1 1 3 0 1 0 0 2 0 4	Pipe clamp board			1	\$ 3.07	
23	H M 1 2 3 2 4 9 0 0 0 2	Installation plate			1	\$ 11.17	
24	H M 3 3 3 2 3 9 0 8 4 3	Electronic control box assembly			1	\$172.55	
24.1	H M 1 1 3 0 4 9 0 1 8 4	Cover of electronic control box			1	\$ 6.14	
24.2	H M 1 1 3 0 4 9 0 1 0 8	Electronic control box			1	\$ 29.18	
24.3	H M 1 3 3 2 3 9 1 0 2 1	Main control board assembly			1	\$122.29	

This information is to be used by qualify technicians only

KSIL0916- Part list No. P2IL16091301

Above prices, numbers, specifications subject to revision without notice

Drawing No. D2IL16091301

Above prices are subject S & H charges

DATE 13-01

KSIL009-H216-I - SPARE PARTS LIST

No.	Part No.	Part Name	Specifications	Stock No.	Qty	Price	Remarks
24.3.1	H M 2 4 0 1 2 0 0 0 0 1	Fan motor capacitor			1	\$ 3.07	
24.4	H M 2 4 3 2 3 9 0 0 0 5	Indoor temperature sensor assembly			1	\$ 3.07	
24.5	H M 2 3 0 1 3 0 0 0 8 0	Pipe temperature sensor assembly			1	\$ 6.14	
24.6	H M 2 3 0 1 4 5 0 1 1 9	Wire joint			1	\$ 9.21	
24.8	H M 2 3 0 0 9 0 0 0 9 5	Transformer			1	\$ 29.18	
25	H M 3 3 5 5 0 9 1 4 6 9	Remote Controller			1	\$ 34.48	
27	H M 2 7 2 0 0 9 0 0 0 1	Seal ring			1	\$ 3.07	
28	H M 1 1 0 1 0 2 0 0 1 1	Drain connecter			1	\$ 3.07	
29	H M 1 6 0 0 3 3 0 0 0 2	Nut			1	\$ 3.07	
29	H M 1 6 0 0 3 3 0 0 0 1	Nut			1	\$ 3.07	
34	H M 1 1 3 1 3 9 0 1 4 9	insulated axis			1	\$ 3.07	
35	H M 1 1 3 2 5 9 0 9 2 3	Screw cap			1	\$ 3.07	
36	H M 1 1 3 2 5 9 0 9 2 2	Screw cap			1	\$ 3.07	
37	H M 1 1 3 2 5 9 0 9 2 1	Screw cap			1	\$ 3.07	
38	H M 1 1 3 2 5 9 0 9 2 0	Horizontal louver			1	\$ 13.96	
39	H M 1 1 0 2 0 0 0 3 0 5	Fix clamp of temperature sensor			1	\$ 3.07	

This information is to be used by qualify technicians only

KSIL0916- Part list No. P2IL16091301

Above prices, numbers, specifications subject to revision without notice

Drawing No. D2IL16091301

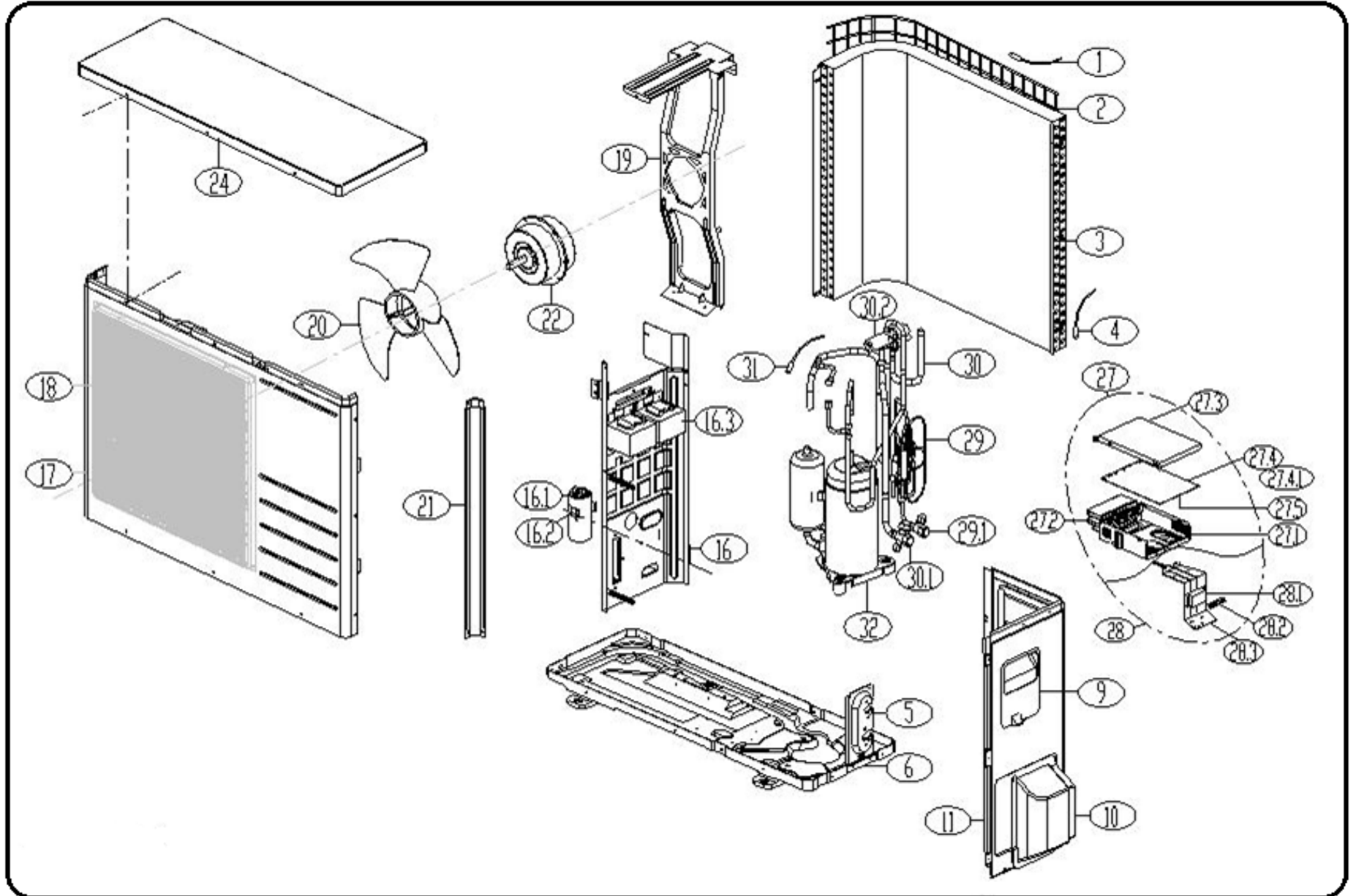
Above prices are subject S & H charges

DATE 13-01

EXPLODED DIAGRAM - PARTS VIEW

Sales Model : KSIL009-H216-O

Power Supply : 208-230V~ / 1ph / 60Hz



This information is to be used by qualify AC technicians only

KSIL0916- Drawing No. D11L16091301

Above information subject to revision without notice

DATE 13-01

KSIL009-H216-O - SPARE PARTS LIST

No.	Part No.	Part Name	Specifications	Stock No.	Qty	Price	Remarks
1	H M 2 3 0 1 3 0 0 1 6 0	Indoor temperature sensor assembly			1	\$6.14	
2	H M 1 1 3 7 4 G 0 0 0 3	Rear net			1	\$6.14	
3	H M 1 5 3 7 3 9 0 0 3 3	Condenser assembly			1	\$335.05	
4	H M 2 4 4 0 5 0 0 0 0 4	Pipe temperature sensor assembly			1	\$6.14	
5	H M 1 2 3 7 2 0 0 2 8 2	Valve plate			1	\$6.14	
6	H M 1 2 3 7 5 9 0 0 9 3	Chassis assembly			1	\$74.27	
9	H M 1 2 3 7 3 9 0 1 0 4	Big handle			1	\$9.21	
10	H M 1 1 3 7 4 0 0 0 0 0	Water collector			1	\$13.96	
11	H M 1 2 3 7 5 9 0 0 8 0	Rear right clapboard assembly			1	\$47.47	
16	H M 1 2 3 7 5 0 0 2 1 3	Partition board assembly			1	\$179.25	
16.1	H M 2 4 0 1 0 0 0 6 1 2	Capacitor of compressor			1	\$26.52	
16.2	H M 1 2 0 0 1 0 0 0 0 2	Capacitor clip			1	\$3.07	
16.3	H M 2 3 0 1 0 0 0 8 2 0	Reactance			1	\$78.32	
16.3	H M 2 3 0 1 0 0 0 8 1 9	Reactance			1	\$75.94	
17	H M 1 2 3 7 4 0 0 3 9 2	Front panel			1	\$78.18	
18	H M 1 1 3 7 5 9 0 0 1 7	Air outlet grille			1	\$34.48	
19	H M 1 2 3 7 3 9 0 0 1 6	Supporter assembly of fan motor			1	\$37.13	
20	H M 1 1 0 0 3 0 0 5 0 2	Axial flow fan			1	\$31.83	
21	H M 1 2 3 7 4 0 0 4 0 0	Left supporter			1	\$9.21	
22	H M 2 4 0 0 4 0 0 3 0 4	Asynchronous motor			1	\$128.99	
24	H M 1 2 3 7 4 0 0 4 0 5	Top cover assembly			1	\$45.09	
27	H M 3 3 3 7 3 9 0 1 5 3	Electronic control box assembly			1	\$330.58	
27.1	H M 1 2 3 7 3 0 0 0 3 3	Electronic control box			1	\$9.21	
27.2	H M 2 3 0 1 9 0 1 0 4 3	Radiator			1	\$45.09	
27.3	H M 1 2 3 7 3 0 0 1 6 2	Cover of electronic control box			1	\$9.21	
27.4	H M 1 3 3 7 3 9 0 0 8 4	Main control board assembly			1	\$302.66	

This information is to be used by qualify technicians only

KSIL0916- Part list No. P11L16091301

Above prices, numbers, specifications subject to revision without notice

Drawing No. D11L16091301

Above prices are subject S & H charges

DATE 13-01

KSIL009-H216-O - SPARE PARTS LIST

No.	Part No.	Part Name	Specifications	Stock No.	Qty	Price	Remarks
27.4.1	H M 2 4 0 1 2 0 0 1 5 2	Fan motor capacitor			1	\$3.07	
27.5	H M 1 1 3 7 3 0 0 1 6 2	Supporter of electronic control box			1	\$9.21	
28	H M 3 3 3 7 5 9 0 0 4 9	Terminal board assembly			1	\$47.47	
28.1	H M 2 3 0 1 4 0 0 2 2 3	Wire joint			1	\$13.96	
28.2	H M 1 1 3 5 0 0 0 0 0 4	Insulation plate			1	\$3.07	
28.3	H M 1 2 3 7 5 9 0 0 4 6	Terminal board			1	\$9.21	
29	H M 1 6 3 7 3 9 0 3 3 5	Liquid valve assembly			1	\$66.45	
29.1	H M 1 6 0 0 7 4 0 5 2 3	Liquid valve			1	\$29.18	
30	H M 1 6 3 2 3 9 0 0 3 7	4-way valve assembly			1	\$190.98	
30.1	H M 1 6 0 0 7 2 0 0 9 5	Gas valve			1	\$42.44	
30.2	H M 1 6 0 0 6 9 0 0 1 0	4-Ways valve			1	\$101.63	
31	H M 2 3 0 1 3 1 0 0 6 8	Discharge temperature sensor assembly			1	\$11.17	
32	H M 1 4 0 0 6 2 0 6 0 0	Compressor			1	\$461.25	

This information is to be used by qualify technicians only

KSIL0916- Part list No. P1IL16091301

Above prices, numbers, specifications subject to revision without notice

Drawing No. D1IL16091301

Above prices are subject S & H charges

DATE 13-01