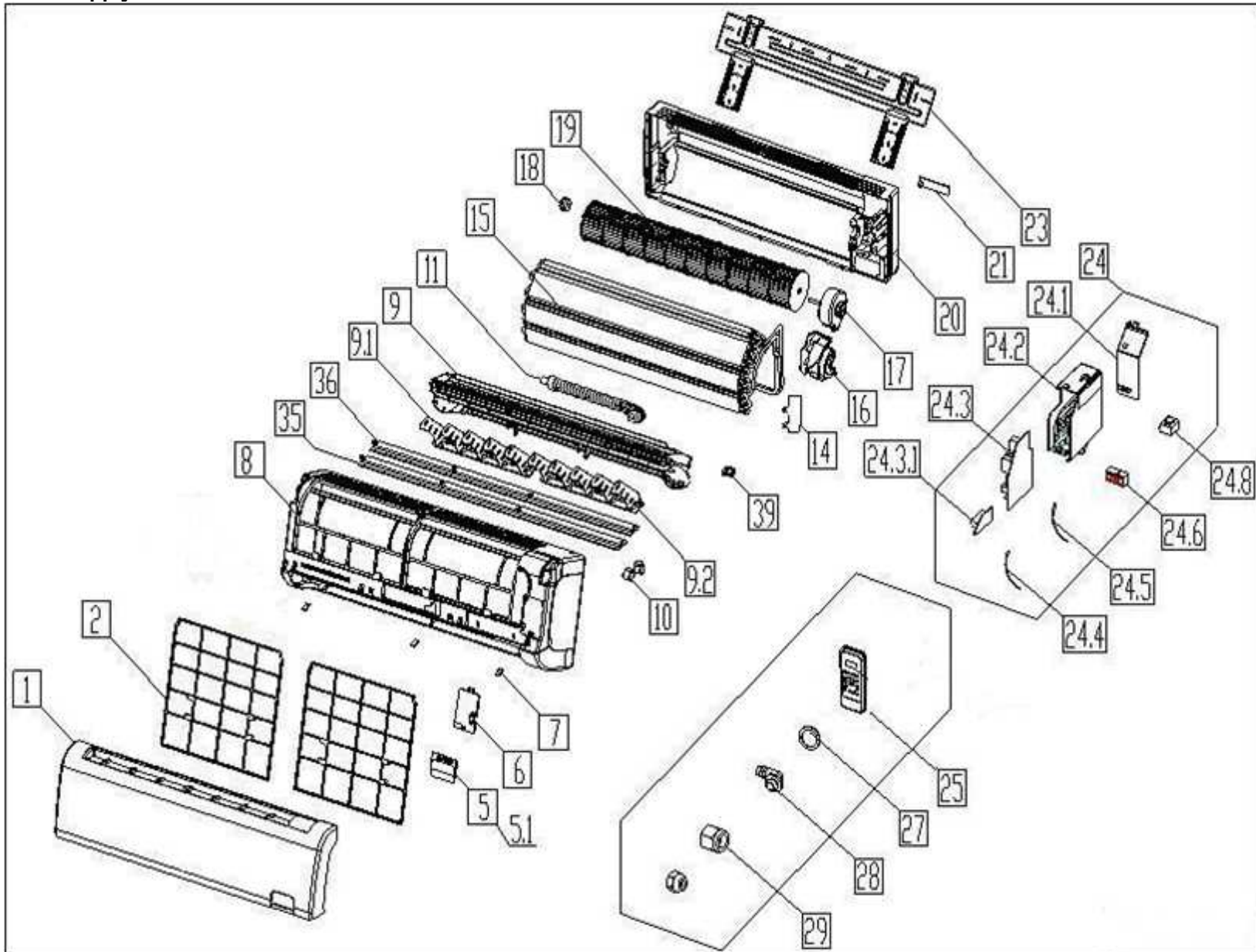


# EXPLODED DIAGRAM - PARTS VIEW

Model : KSIL009-H119-I

M33A

Power Supply : 115V~ 60Hz



This information is to be used by qualify AC technicians only

KSIL0919- Drawing No. D2IL9091301

Above information subject to revision without notice

DATE 13-01

## KSIL009-H119-I - SPARE PARTS LIST

No.	Part No.	Part Name	Specifications	Stock No.	Qty	Price	Remarks
1	WI1132890609	Panel assembly		333A0609	1	\$ 54.58	
2	WI1132890269	Air filter		333A0269	2	\$ 6.14	
5	WI3332890292	Display box assembly		333A0292	1	\$ 66.45	
5.1	WI1332390804	Display board assembly		333A0804	1	#N/A	
6	WI1132890658	Cover of indoor electronic control box		333A0658	1	\$ 3.07	
7	WI1132890619	Screw cap		333A0619	3	\$ 3.07	
8	WI1132890616	Panel frame assembly		333A0616	1	\$ 66.45	
9	WI1132890273	Air outlet assembly		333A0273	1	\$ 54.58	
9.1	WI1130290212	Vertical vane		333A0212	12	\$ 3.07	
9.2	WI1130210066	Louver holder		333A0066	3	\$ 3.07	
10	WI2400200120	Louver motor		333A0120	1	\$ 16.75	
11	WI1101020038	Drain hose		333A0038	1	\$ 6.14	
14	WI1130310350	Waterproof board		333A0350	1	\$ 3.07	
15	WI1532390152	Evaporator assembly		333A0152	1	\$256.31	
16	WI1132790128	Fan motor cover		333A0128	1	\$ 6.14	
17	WI2400401182	Asynchronous motor		333A1182	1	\$107.49	
18	WI2730100201	Bearing base		333A0201	1	\$ 3.07	
19	WI1100200014	Cross flow fan		333A0014	1	\$ 71.20	
20	WI1132790555	Chassis assembly		333A0555	1	\$ 78.18	
21	WI1232800001	Pipe clamp board		333A0001	1	\$ 3.07	
23	WI1232790008	Installation plate		333A0008	1	\$ 13.96	
24	WI3332390900	Electronic control box assembly		333A0900	1	\$189.30	
24.1	WI1132800161	Cover of electronic control box		333A0161	1	\$ 9.21	
24.2	WI1130210069	Electronic control box		333A0069	1	\$ 29.18	
24.3	WI1332391075	Main control board assembly		333A1075	1	\$125.64	
24.3.1	WI2401100992	Fan motor capacitor		333A0992	1	\$ 9.21	
24.4	WI2432390005	Indoor temperature sensor assembly		333A0005	1	\$ 3.07	
24.5	WI2301300080	Pipe temperature sensor assembly		333A0080	1	\$ 6.14	
24.6	WI2301450119	Wire joint		333A0119	1	\$ 9.21	
24.8	WI2300900584	Transformer		333A0584	1	\$ 39.79	

This information is to be used by qualify technicians only

KSIL0919- Part list No. P2IL19091301

Above prices, numbers, specifications subject to revision without notice

Drawing No. D2IL9091301

Above prices are subject S & H charges

DATE 13-01

## KSIL009-H119-I - SPARE PARTS LIST

No.	Part No.	Part Name	Specifications	Stock No.	Qty	Price	Remarks
25	WI3355091469	Remote Controller		333A1469	1	\$ 34.48	
27	WI2720090001	Seal ring		333A0001	1	\$ 3.07	
28	WI1101020011	Drain connecter		333A0011	1	\$ 3.07	
29	WI1600330001	Nut		333A0001	1	\$ 3.07	
29	WI1600330002	Nut		333A0002	1	\$ 3.07	
35	WI1132890617	Horizontal louver (above)		333A0617	1	\$ 13.96	
36	WI1132890618	Horizontal louver (below)		333A0618	1	\$ 11.17	
39	WI1102000305	Fix clamp of temperature sensor		333A0305	1	\$ 3.07	

This information is to be used by qualify technicians only

KSIL0919- Part list No. P2IL19091301

Above prices, numbers, specifications subject to revision without notice

Drawing No. D2IL9091301

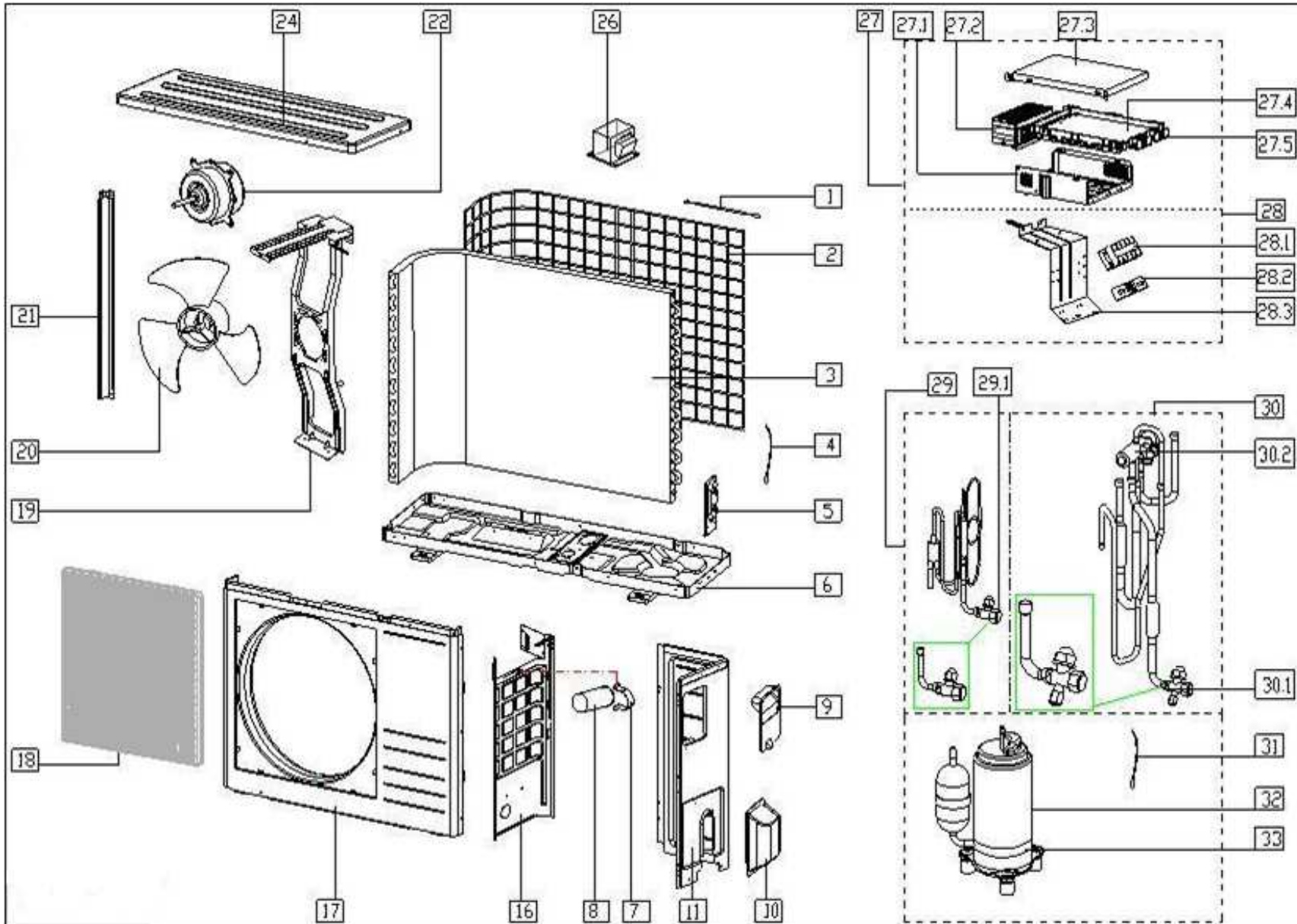
Above prices are subject S & H charges

DATE 13-01

# EXPLODED DIAGRAM - PARTS VIEW

Sales Model : KSIL009-H119-O  
Power Supply : 115V~ 60Hz

M33B



This information is to be used by qualify AC technicians only  
Above information subject to revision without notice

KSIL0919- Drawing No. D1IL19091301  
DATE 13-01

## KSIL009-H119-O - SPARE PARTS LIST

No.	Part No.	Part Name	Specifications	Stock No.	Qty	Price	Remarks
1	HM2301300160	Indoor temperature sensor assembly		M33B0160	1	\$ 6.14	
2	HM11374G0003	Rear net		M33B0003	1	\$ 6.14	
3	HM1537390033	Condenser assembly		M33B0033	1	\$ 335.05	
4	HM2440500004	Pipe temperature sensor assembly		M33B0004	1	\$ 6.14	
5	HM1237200282	Valve plate		M33B0282	1	\$ 6.14	
6	HM1237590093	Chassis assembly		M33B0093	1	\$ 74.27	
7	HM1200100005	Capacitor clip		M33B0005	1	\$ 3.07	
8	HM2401090021	Capacitor of compressor		M33B0021	1	\$ 29.18	
9	HM1237390104	Big handle		M33B0104	1	\$ 9.21	
10	HM1137400000	Water collector		M33B0000	1	\$ 13.96	
11	HM1237590080	Rear right clapboard assembly		M33B0080	1	\$ 47.47	
16	HM1237500201	Partition board assembly		M33B0201	1	\$ 31.83	
17	HM1237400392	Front panel		M33B0392	1	\$ 78.18	
18	HM1137590017	Air outlet grille		M33B0017	1	\$ 34.48	
19	HM1237390026	Supporter assembly of fan motor		M33B0026	1	\$ 31.83	
20	HM1100390002	Axial flow fan		M33B0002	1	\$ 71.20	
21	HM1237400400	Left supporter		M33B0400	1	\$ 9.21	
22	HM2400370023	Asynchronous motor		M33B0023	1	\$ 201.03	
24	HM1237400405	Top cover assembly		M33B0405	1	\$ 45.09	
26	HM2301000860	Reactance		M33B0860	1	\$ 68.82	
27	HM3337590071	Electronic control box assembly		M33B0071	1	\$ 375.25	
27.1	HM1237300033	Electronic control box		M33B0033	1	\$ 9.21	
27.2	HM2301901043	Radiator		M33B1043	1	\$ 45.09	
27.3	HM1237300162	Cover of electronic control box		M33B0162	1	\$ 9.21	
27.4	HM1337590054	Main control board assembly		M33B0054	1	\$ 348.45	
27.5	HM1137300162	Supporter of electronic control box		M33B0162	1	\$ 9.21	

This information is to be used by qualify technicians only

KSIL0919- Part list No. P1IL19091301

Above prices, numbers, specifications subject to revision without notice

Drawing No. D1IL19091301

Above prices are subject S & H charges

DATE 13-01

## KSIL009-H119-O - SPARE PARTS LIST

No.	Part No.	Part Name	Specifications	Stock No.	Qty	Price	Remarks
28	HM3337590046	Terminal board assembly		M33B0046	1	\$ 47.47	
28.1	HM2301400223	Wire joint		M33B0223	1	\$ 13.96	
28.2	HM1135000004	Insulation plate		M33B0004	1	\$ 3.07	
28.3	HM1237590046	Terminal board		M33B0046	1	\$ 9.21	
29	HM1637391258	Liquid valve assembly		M33B1258	1	\$ 68.82	
29.1	HM1600740523	Liquid valve		M33B0523	1	\$ 29.18	
30	HM1637391257	4-way valve assembly		M33B1257	1	\$ 214.43	
30.1	HM1600720091	Gas valve		M33B0091	1	\$ 42.72	
30.2	HM1600690008	4-Ways valve		M33B0008	1	\$ 105.54	
31	HM2301310068	Discharge temperature sensor assembly		M33B0068	1	\$ 11.17	
32	HM1400620600	Compressor		M33B0600	1	\$ 461.25	
33	HM2403100508	Crankcase electric heater		M33B0508	1	\$ 31.83	

This information is to be used by qualify technicians only

KSIL0919- Part list No. P1IL19091301

Above prices, numbers, specifications subject to revision without notice

Drawing No. D1IL19091301

Above prices are subject S & H charges

DATE 13-01