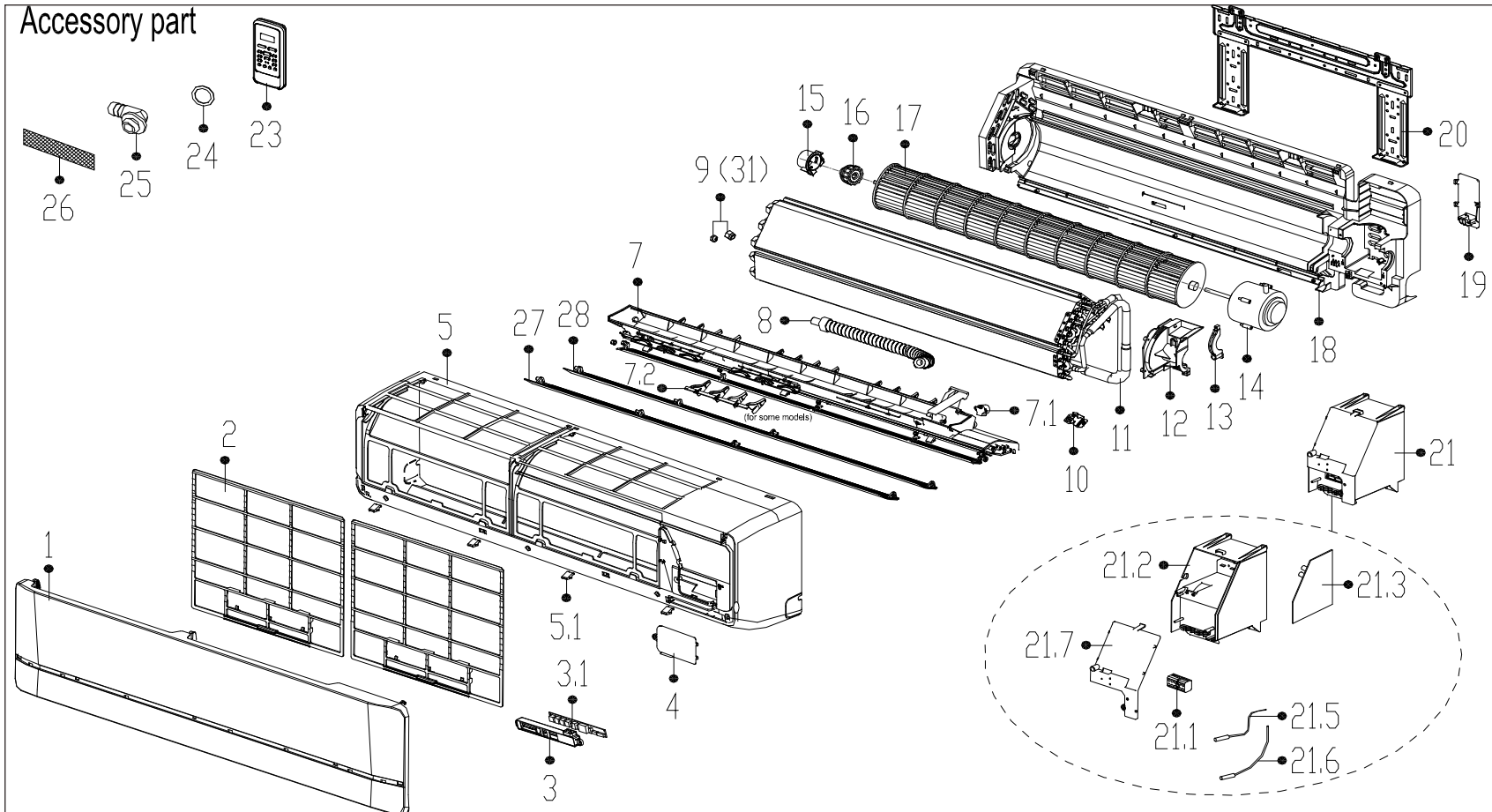


EXPLODED DIAGRAM - PARTS VIEW

Sales Model: KSIH024-H220-IW
Power Supply: 208-230V / 1ph / 60Hz



This information is to be used by qualified HVAC technicians only and is subject to revision without notice

KSIH024-H220-IW - Drawing No. D2IH1715

DATE 18-04

KSIH024-H220-IW - SPARE PARTS LIST

No.	Part Number	Part Name	Specifications	Stock No.	Qty.	Price	Remarks
1	12122000A01212	Panel assembly			1	\$45.73	
2	12100204000651	Air filter			2	\$9.02	
3	17222000A00767	Display box subassembly			1	\$26.89	
3	17222000A30110	Display box subassembly			1	\$66.30	
3.1	17122000006991	Display board subassembly			1	\$24.10	
3.1	17122000A18209	Display board subassembly			1	\$54.49	
4	12122000006694	Cover of electrical equipment			1	\$4.29	
5	12122000A08690	Panel frame assembly			1	\$72.45	
5.1	12122000006272	Screw cap			4	\$0.15	
7	12122000008963	Air outlet assembly			1	\$77.07	
7.1	11002010000047	Stepping motor	SM-24-19-16-19		1	\$32.59	
7.2	12122000008276	Horizontal louver			3	\$1.32	
8	12100501000021	Drain Hose			1	\$4.40	
9	15500404000005	Pipe Nut			1	\$1.76	
9	15500406000003	Copper nut			1	\$10.10	
9	15500406000010	Copper nut			1	\$6.16	
10	12100303000008	Fixed clamp of temperature sensor			1	\$0.35	
11	15822000003980	Evaporator assembly			1	\$367.84	
12	12122000005509	Fan motor cover			1	\$10.80	
13	12122000006772	Fixing board of fan motor			1	\$0.89	
14	11002015000056	Brushless DC Motor	ZKFP-60-8-1		1	\$185.67	
15	12122000000350	Bearing holder			1	\$0.79	
16	12622000000006	Bearing base			1	\$1.54	
17	12100102000001	Cross flow fan	GL-118*895-IN		1	\$61.97	

This information is to be used by qualified HVAC technicians only and is subject to revision without notice

KSIH024-H220-IW - Parts List No. P2IH1715

Above prices are subject to S&H charges

DATE 18-04

KSIH024-H220-IW - SPARE PARTS LIST

No.	Part Number	Part Name	Specifications	Stock No.	Qty.	Price	Remarks
18	12122000A08691	Chassis Assembly			1	\$72.59	
19	12122000000460	pipe clamp board			1	\$2.75	
20	12222000000030	Installation plate			1	\$24.61	
21	17222000004676	E-Box subassembly			1	\$174.48	
21.1	17400401000006	Terminal			1	\$10.70	
21.2	12122000004617	Electronic control box			1	\$34.87	
21.3	17122000011107	Main control board subassembly			1	\$119.84	
21.5	11201007000088	Room Temperature Sensor			1	\$3.85	
21.6	11201007000322	Pipe Temperature Sensor			1	\$5.28	
21.7	12122000005040	Cover of electronic control box			1	\$9.13	
23	17317000A06740	Remote controller	RG57A6/BGEFU1		1	\$43.18	
24	12600701000039	Seal ring			1	\$0.15	
25	12100509000061	Drain hose			1	\$0.45	
26	12100206000056	Air freshening filter			1	\$1.98	
27	12122000006181	Louver(above)			1	\$10.30	
28	12122000008085	Horizontal louver			1	\$9.13	
42	15500209000002	detection valve			1	\$2.86	
45	12117000002114	Bracket of remote Controller			1	\$3.30	

This information is to be used by qualified HVAC technicians only and is subject to revision without notice

KSIH024-H220-IW - Parts List No. P2IH1715

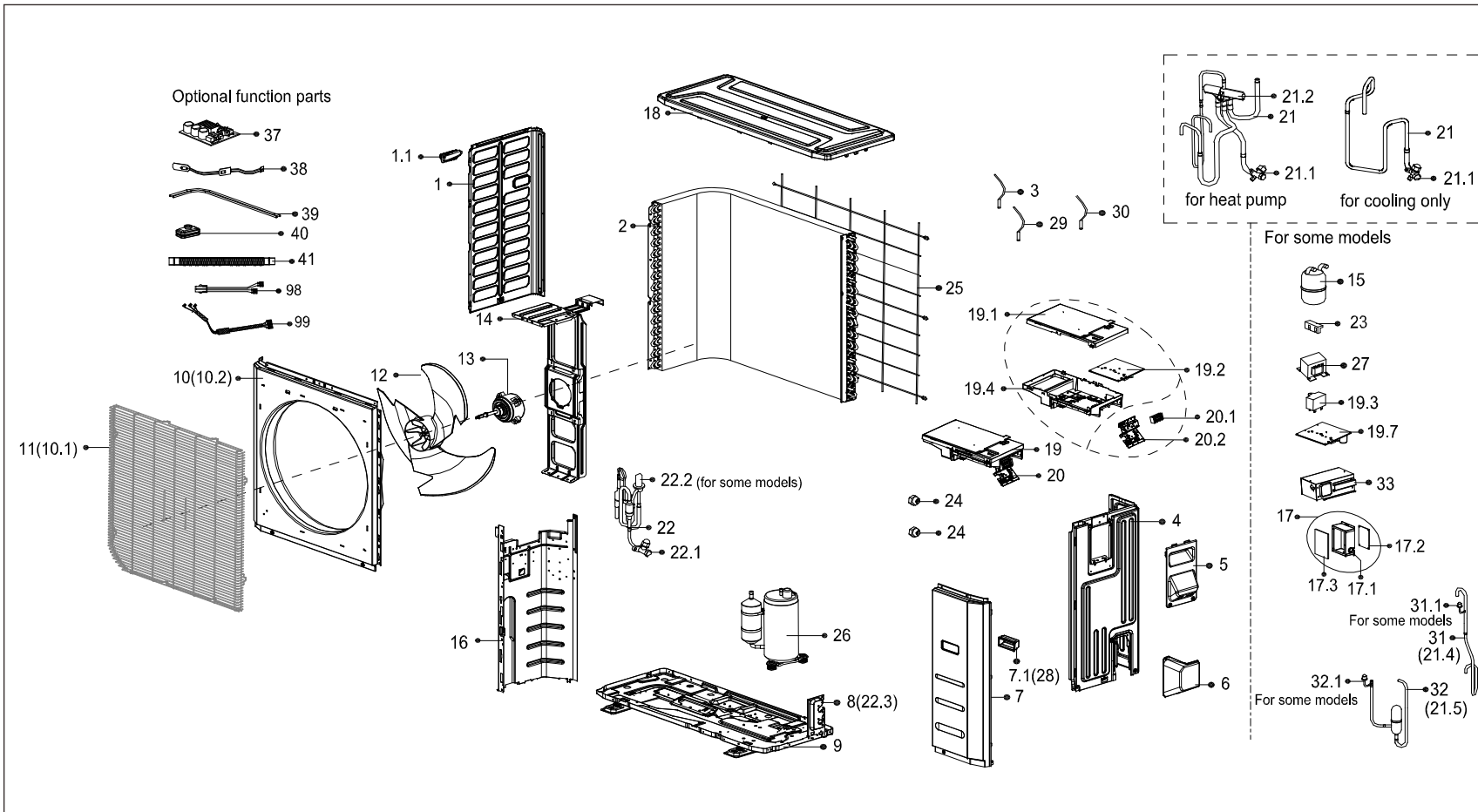
Above prices are subject to S&H charges

DATE 18-04

EXPLODED DIAGRAM - PARTS VIEW

Sales Model: KSIH024-H220-O

Power Supply: 208-230V / 1ph / 60Hz



This information is to be used by qualified HVAC technicians only and is subject to revision without notice

KSIH024-H220-O - Drawing No. D1IH1715

DATE 18-04

KSIH024-H220-O - SPARE PARTS LIST

No.	Part Number	Part Name	Specifications	Stock No.	Qty.	Price	Remarks
1	1222200006665	Left side plate assembly of cabinet			1	\$48.88	
1.1	12100701000033	Small Handle			1	\$1.54	
2	15822000A15753	Condenser assembly			1	\$483.67	
3	11201007000136	Pipe Temperature Sensor			1	\$6.49	
4	1222200006664	Rear right clapboard assembly			1	\$82.88	
5	1222200004019	Big Handle			1	\$7.04	
6	12122200002695	Water collector			1	\$8.14	
7	12222500A00135	Front right clapboard assembly			1	\$61.63	
9	1222200004018	Chassis assembly			1	\$94.99	
10	12222000A01431	Front panel			1	\$122.29	
11	12222000007904	Air outlet grille			1	\$59.16	
12	12100105000084	Axial flow fan	ZL-560*139*12-3KN		1	\$56.61	
13	11002015000247	Brushless DC Motor	ZKFN-120-8-2		1	\$222.72	
14	1222200005162	Supporter subassembly of fan motor			1	\$65.54	
16	12222200001158	Partition board assembly			1	\$37.34	
18	12222500000587	Top cover assembly			1	\$79.22	
19	17222000A15868	Electronic control box subassembly			1	\$382.97	
19.1	12122200002713	Cover of electronic control box subassembly			1	\$46.41	
19.2	17122000A13187	Outdoor main control board subassembly			1	\$373.84	
19.4	12122200002717	Electronic installing box subassembly			1	\$44.75	
20	17222000024588	Terminal board subassembly			1	\$28.12	
20.1	17400401000037	Terminal			1	\$18.20	
20.2	12222200001476	Terminal board			1	\$4.84	
21	15422000004892	4-way valve assembly			1	\$195.00	

This information is to be used by qualified HVAC technicians only and is subject to revision without notice

KSIH024-H220-O - Parts List No. P1IH1715

Above prices are subject to S&H charges

DATE 18-04

KSIH024-H220-O - SPARE PARTS LIST

No.	Part Number	Part Name	Specifications	Stock No.	Qty.	Price	Remarks
21.1	15500204000025	Gas valve			1	\$50.92	
21.2	15500216000361	4-way valve			1	\$87.92	
22	15422000012293	Liquid valve Assembly			1	\$179.04	
22.1	15500204000021	Gas valve			1	\$31.64	
22.2	15500213000265	Electronic expansion valve			1	\$133.62	
22.3	12222200002110	Valve plate			1	\$14.70	
24	15500406000003	Copper nut			1	\$10.10	
24	15500406000010	Copper nut			1	\$6.16	
25	12222000006604	Rear net			1	\$35.91	
26	11103020000179	DC Inverter Rotary Compressor	ATF235D22UMT		1	\$467.39	
27	17400306000058	Reactor			1	\$82.45	
29	11201007000157	Discharge Temperature Sensor			1	\$9.46	
30	11201007000039	Room Temperature Sensor			1	\$4.73	
38	17402001000119	Crankcase electric heater			1	\$27.17	
39	17402002000043	Electric heating tube			1	\$88.83	
41	12100509000059	Drain pipe			1	\$3.96	
99	17401203000909	Compressor wire subassembly			1	\$26.89	

This information is to be used by qualified HVAC technicians only and is subject to revision without notice

KSIH024-H220-O - Parts List No. P1IH1715

Above prices are subject to S&H charges

DATE 18-04