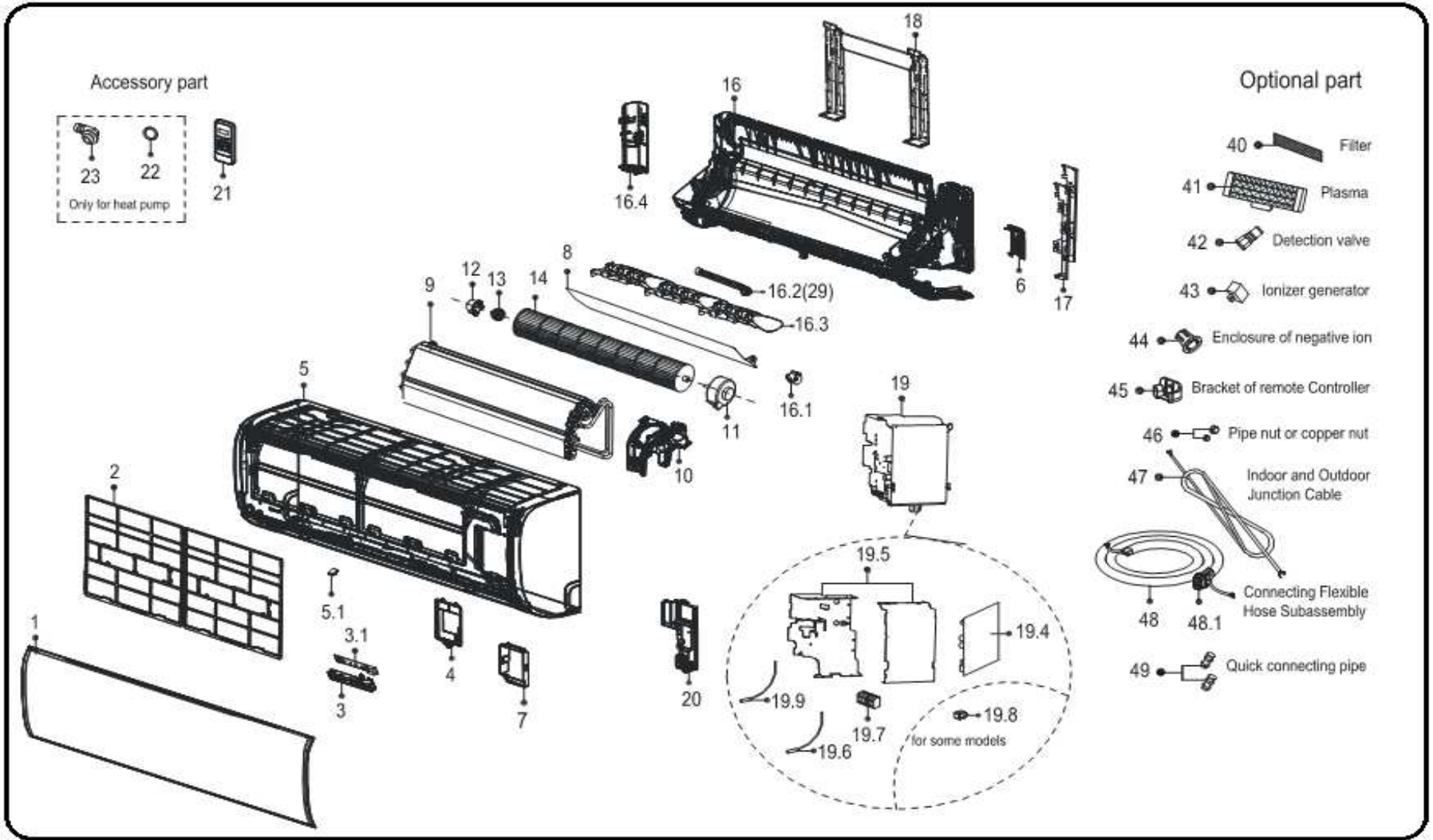


EXPLODED DIAGRAM - PARTS VIEW

Sale Model: KSIF024-H215-I
Power Supply: 208-230V~ 60Hz 1ph



KSIF024-H215-I - Drawing No. D2IF1604

KSIF024-H215-I - SPARE PARTS LIST

No.	Part Number	Part Name	Specifications	Stock No.	Qty.	Price	Remarks
1	12122000A35765	Panel assembly			1	\$31.16	
2	12122000015222	Air filter			2	\$21.80	
3	17222000A31248	Display box assembly			1	\$64.43	
3.1	17122000022008	Display board assembly			1	\$50.15	
4	12122000013357	Cover of electrical equipment			1	\$4.18	
5	12122000013353	Panel frame assembly			1	\$53.04	
5.1	12122000013355	Screw cap			2	\$2.00	
7	12122000013350	Terminal cover assembly			1	\$4.84	
8	12122000013348	Horizontal louver assembly			1	\$7.04	
9	15822000004857	Evaporator assembly			1	\$232.98	
10	12122000013349	Fan motor cover			1	\$10.34	
11	11002012003053	Fan motor			1	\$135.10	YKFG-45-4-13
12	12122000000350	Bearing holder			1	\$1.00	
13	12622000000006	Bearing base			1	\$1.54	
14	12100102000002	Cross flow fan			1	\$46.84	GL-107.5*780-IN
16	12122000014663	Chassis assembly			1	\$120.60	
16.1	11002010000049	Louver motor			1	\$19.70	SM-30-17-12-14
16.3	12122000013343	Vertical vane			3	\$3.00	
16.4	12122000013342	Left cover of chassis			1	\$1.87	
17	12122000013346	Pipe clamp board			1	\$4.84	
18	12222000005965	Installation plate			1	\$18.10	
19	17222000A32232	Electronic control box assembly			1	\$135.36	

This information is to be used by qualified HVAC technicians only and is subject to revision without notice

KSIF024-H215-I - Parts List No. P2IF1604

Above prices are subject to S&H charges

DATE 16-07

KSIF024-H215-I - SPARE PARTS LIST

No.	Part Number	Part Name	Specifications	Stock No.	Qty.	Price	Remark
19.4	17122000024694	Indoor main control board assembly			1	\$116.06	
19.5	12122000013004	Electronic installing box			1	\$33.25	
19.6	11201007000322	Pipe temperature sensor assembly			1	\$4.73	
19.7	17400401000006	Wire joint			1	\$10.20	
19.9	11201007000088	Ambient temperature sensor assembly			1	\$3.52	
20	12122000013356	Cover of electronic control box			1	\$11.60	
21	17317000A17821	Remote Controller			1	\$45.79	RG57A6/BGEFU1
22	12600701000039	Seal ring			1	\$1.00	
23	12100509000061	Drain joint			1	\$1.00	
29	12100501000032	Drain hose			1	\$5.17	
40	12100206000056	Air freshening filter			1	\$1.98	
40	12100207000131	Air freshening filter			1	\$1.87	
46	15500406000003	Pipe nut or copper nut			1	\$7.92	TLM-D04
46	15500406000010	Pipe nut or copper nut			1	\$4.40	TLM-B02
52	12122000014663				1	\$120.60	

This information is to be used by qualified HVAC technicians only and is subject to revision without notice

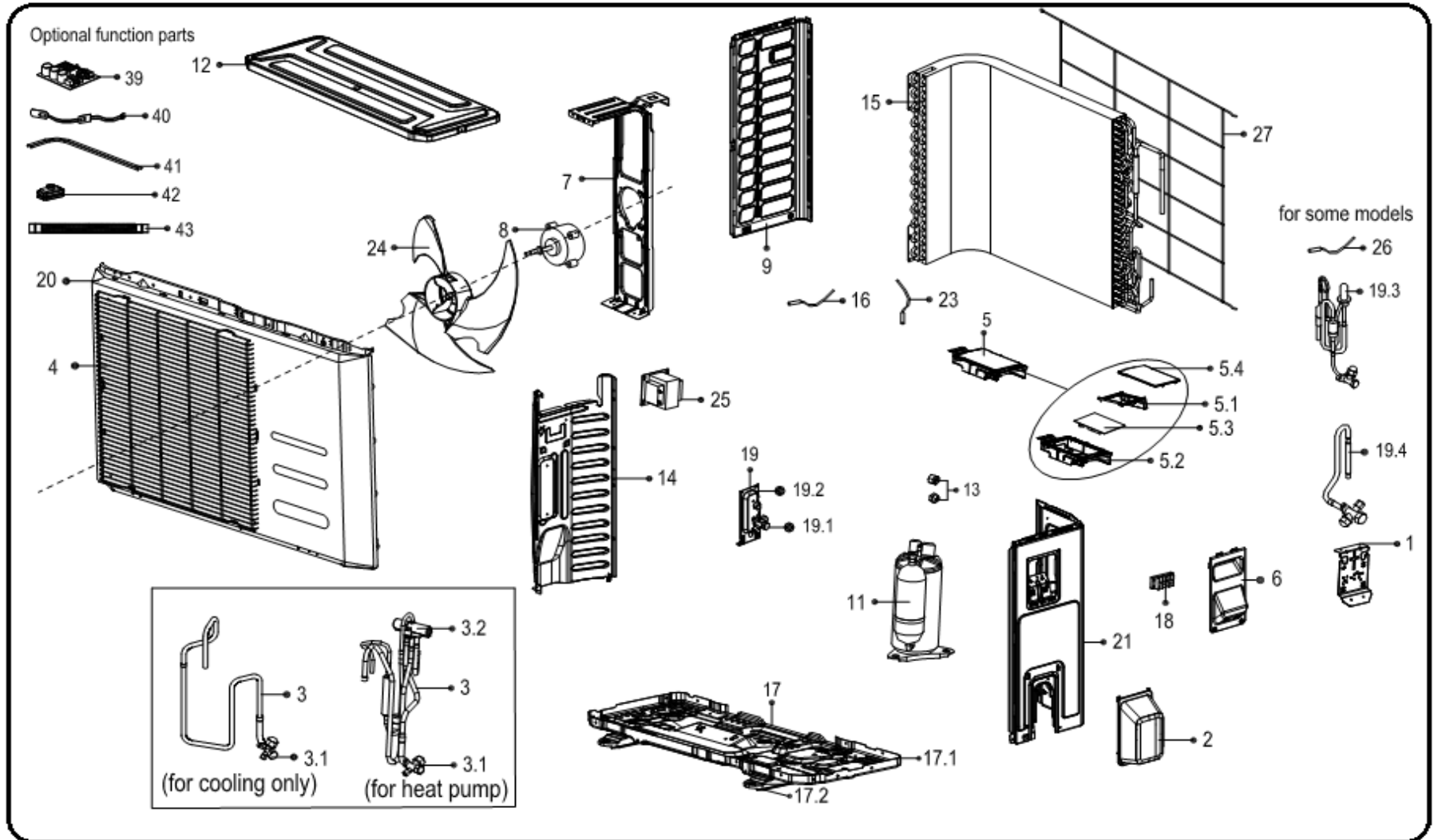
KSIF024-H215-I - Parts List No. P2IF1604

Above prices are subject to S&H charges

DATE 16-07

EXPLODED DIAGRAM - PARTS VIEW

Sale Model: KSIF024-H215-O
Power Supply: 208-230V~ 60Hz 1ph



This information is to be used by qualified HVAC technicians only and is subject to revision without notice

KSIF024-H215-O - Drawing No. D11F1604

DATE 16-07

KSIF024-H215-O - SPARE PARTS LIST

No.	Part Number	Part Name	Specifications	Stock No.	Qty.	Price	Remarks
1	12222000004782	Terminal board			1	\$4.84	
2	12122000007150	Water collector			1	\$9.13	
3	15422000004833	4-way valve assembly			1	\$142.86	
3.1	15500204000025	Gas valve			1	\$41.04	DYF-C15N1
3.2	15500216000026	4-way valve			1	\$72.24	STF-02BN1(VHR)
4	12222000007425	Air outlet grille			1	\$49.56	
5	17222000A23551	Electronic control box assembly			1	\$362.16	
5.1	12122000014683	Support of electronic control box			1	\$8.36	
5.2	12222000004827	Cover of electronic control box			1	\$24.89	
5.3	17122000A15876	Outdoor main control board assembly			1	\$311.80	
5.4	12122000006856	Cover of electronic control box			1	\$24.60	
6	12222000005102	Big handle			1	\$3.96	
7	12222000004923	Supporter assembly of fan motor			1	\$33.06	
8	11002012005429	Fan motor			1	\$122.36	YKT-63-6-200L
9	12222000004831	Left side plate assembly			1	\$32.59	
11	11103020000179	Compressor			1	\$401.77	ATF235D22UMT
12	12222000004835	Top cover assembly			1	\$53.21	
13	15500406000003	Copper nut			1	\$7.92	
13	15500406000010	Copper nut			1	\$4.40	
14	12222000004784	Partition board assembly			1	\$24.89	
15	15822000003636	Condenser assembly			1	\$209.34	
16	11201007000039	Ambient temperature sensor assembly			1	\$4.51	

This information is to be used by qualified HVAC technicians only and is subject to revision without notice

KSIF024-H215-O - Parts List No. P1IF1604

Above prices are subject to S&H charges

DATE 16-07

KSIF024-H215-O - SPARE PARTS LIST

No.	Part Number	Part Name	Specifications	Stock No.	Qty.	Price	Remark
17	12222000004824	Chassis assembly			1	\$83.81	
17.1	12222000004786	Chassis			1	\$68.77	
17.2	12222000004788	Footing			2	\$28.60	
18	17400401000075	Wire joint			1	\$26.41	
19	15422000007812	Liquid valve assembly			1	\$51.00	
19.1	15500208000023	Liquid valve			1	\$21.60	GYF-C24N
19.2	12222000002571	Valve plate			1	\$5.17	
20	12222000006304	Front panel			1	\$101.78	
21	12222000004830	Right side plate			1	\$51.17	
23	11201007000069	Pipe temperature sensor assembly			1	\$5.39	
24	12100105000181	Axial flow fan			1	\$43.78	ZL-490*151*12-3KN
25	17400306000058	Reactor			1	\$75.65	R25027(AL)(J)
26	11201007000005	Discharge temperature sensor assembly			1	\$11.50	
27	12222000004833	Rear net			1	\$22.70	
40	17402001000119	Crankcase electric heater			1	\$26.98	
41	17402002000043	Electric heater of chassis			1	\$79.31	
43	12100509000059	Drain pipe			1	\$3.85	PJX1.3-1(L2000)
99	17401203000939	Compressor wire assembly			1	\$20.80	

This information is to be used by qualified HVAC technicians only and is subject to revision without notice

KSIF024-H215-O - Parts List No. P1F1604

Above prices are subject to S&H charges

DATE 16-07