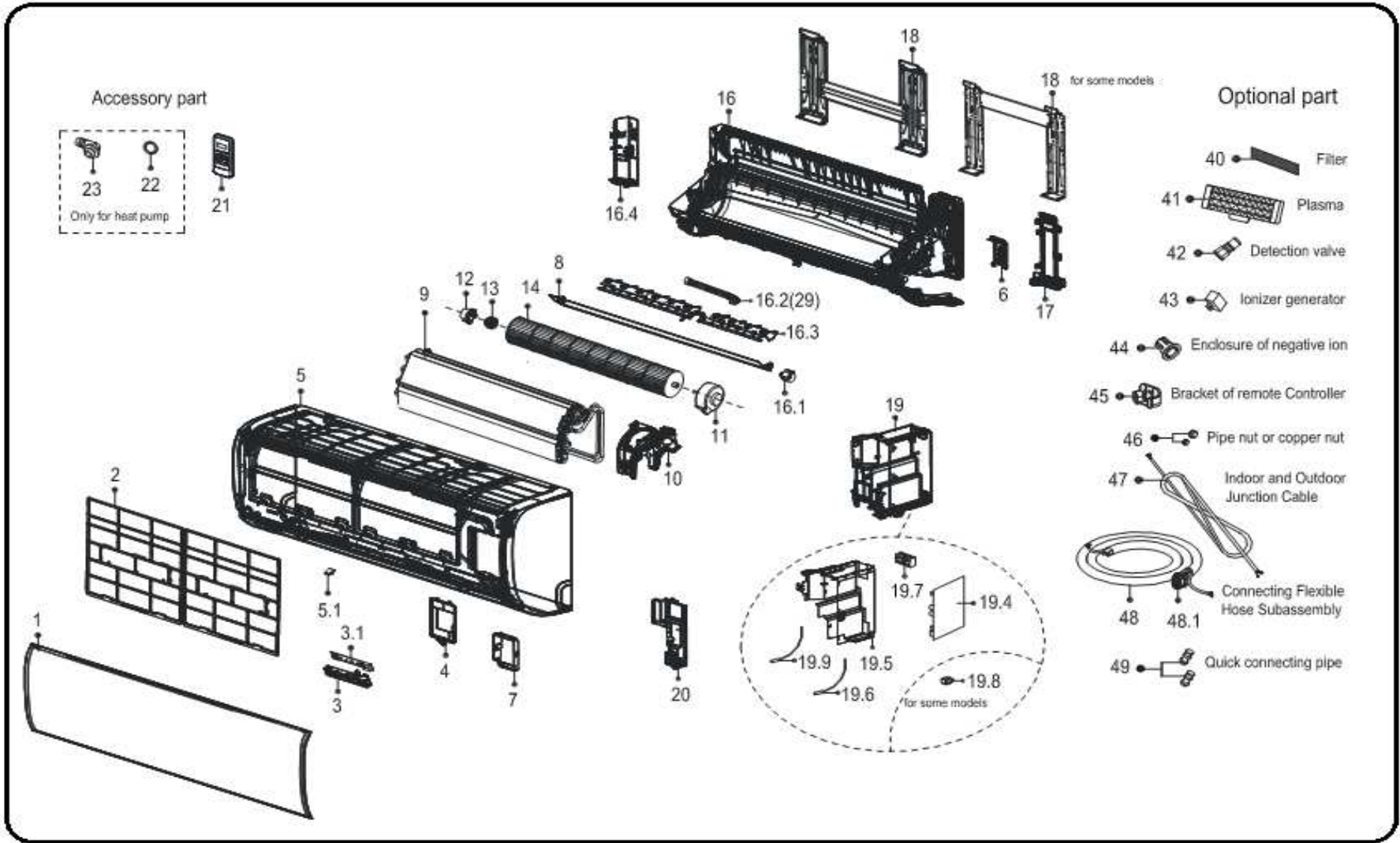


# EXPLODED DIAGRAM - PARTS VIEW

**Sale Model:** KSIF009-H115-I

**Power Supply:** 115V~ 60Hz 1ph



This information is to be used by qualified HVAC technicians only and is subject to revision without notice

KSIF009-H115-I - Drawing No. D2IF1601

DATE 16-07

## KSIF009-H115-I - SPARE PARTS LIST

No.	Part Number	Part Name	Specifications	Stock No.	Qty.	Price	Remarks
1	12122000A43398	Panel assembly			1	\$18.00	
2	12122000015223	Air filter			2	\$11.00	
3	17222000A31248	Display box assembly			1	\$64.43	
3.1	17122000022008	Display board assembly			1	\$63.07	
4	12122000013131	Cover of electrical equipment			1	\$2.75	
5	12122000013137	Panel frame assembly			1	\$32.11	
5.1	12122000013139	Screw cap			2	\$2.00	
6	12122000013140	Right cover of chassis			1	\$1.00	
7	12122000013141	Terminal cover assembly			1	\$2.64	
8	12122000013127	Horizontal louver assembly			1	\$3.85	
9	15822000004936	Evaporator assembly			1	\$118.37	
10	12122000013129	Fan motor cover			1	\$5.28	
11	11002012005527	Fan motor			1	\$82.11	YKFG-15-4-28-1
12	12122000000350	Bearing holder			1	\$1.00	
13	12622000000006	Bearing base			1	\$1.54	
14	12100102000156	Cross flow fan			1	\$45.41	GL-94*515-I
16	12122000014664	Chassis assembly			1	\$74.06	
16.1	11002010000143	Louver motor			1	\$11.80	SM-24-19-16-8
16.3	12122000013761	Vertical vane			1	\$1.00	
16.4	12122000013123	Left cover of chassis			1	\$2.42	
17	12122000013136	Pipe clamp board			1	\$1.87	
18	12222000005844	Installation plate			1	\$10.78	

This information is to be used by qualified HVAC technicians only and is subject to revision without notice

KSIF009-H115-I - Parts List No. P2IF1601

Above prices are subject to S&H charges

DATE 16-07

## KSIF009-H115-I - SPARE PARTS LIST

No.	Part Number	Part Name	Specifications	Stock No.	Qty.	Price	Remark
19	17222000A32230	Electronic control box assembly			1	\$125.28	
19.4	17122000024702	Indoor main control board assembly			1	\$118.37	
19.5	12122000013001	Electronic installing box			1	\$25.27	
19.6	11201007000322	Pipe temperature sensor assembly			1	\$4.73	
19.7	17400401000006	Wire joint			1	\$10.20	
19.9	11201007000088	Ambient temperature sensor assembly			1	\$3.52	
20	12122000013132	Cover of electronic control box			1	\$6.82	
21	17317000A17821	Remote Controller			1	\$45.79	RG57A6/BGEFU1
22	12600701000039	Seal ring			1	\$1.00	
23	12100509000061	Drain joint			1	\$1.00	
29	12100501000032	Drain hose			1	\$5.17	
40	12100206000056	Air freshening filter			1	\$2.98	
40	12100207000131	Air freshening filter			1	\$2.87	
46	15500406000010	Pipe nut or copper nut			1	\$4.40	TLM-B02
46	15500406000016	Pipe nut or copper nut			1	\$2.64	

This information is to be used by qualified HVAC technicians only and is subject to revision without notice

KSIF009-H115-I - Parts List No. P2IF1601

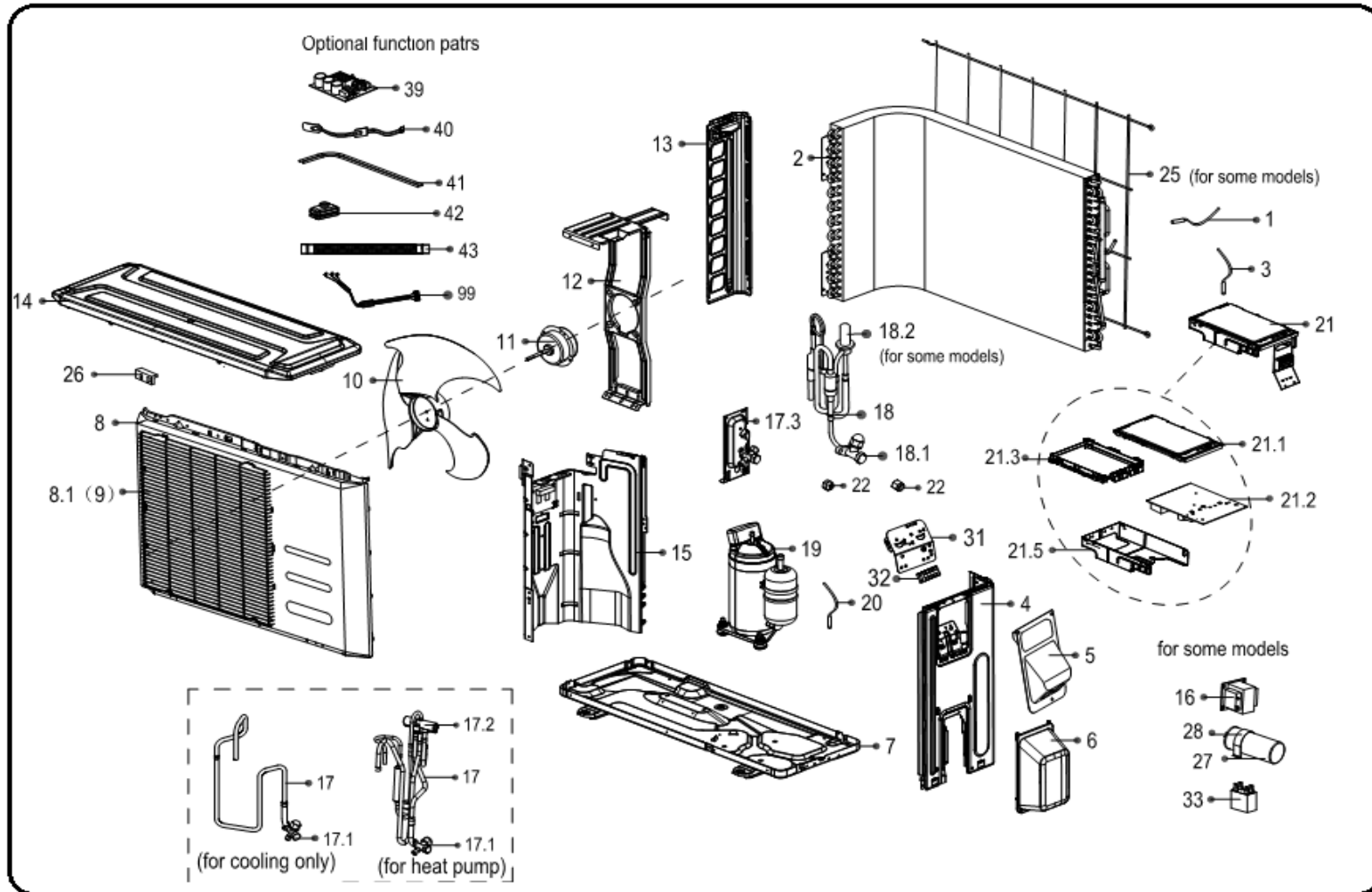
Above prices are subject to S&H charges

DATE 16-07

# EXPLODED DIAGRAM - PARTS VIEW

**Sale Model:** KSIF009-H115-O

**Power Supply:** 115V~ 60Hz 1ph



KSIF009-H115-O - Drawing No.

This information is to be used by qualified HVAC technicians only and is subject to revision without notice

DATE

## KSIF009-H115-O - SPARE PARTS LIST

No.	Part Number	Part Name	Specifications	Stock No.	Qty.	Price	Remarks
1	11201007000039	Ambient temperature sensor assembly			1	\$4,51	
2	15822000006596	Condenser assembly			1	\$154,80	
3	11201007000136	Pipe temperature sensor assembly			1	\$5,94	
4	12222000006249	Right clapboard assembly			1	\$22,30	
5	12222000005102	Big handle			1	\$3,96	
6	12122000007150	Water collector			1	\$9,13	
7	12222000006485	Chassis assembly			1	\$28,03	
8	12222000004842	Front panel			1	\$57,29	
9	12222000007424	Air outlet grille			1	\$56,10	
10	12100105000057	Axial flow fan			1	\$29,07	ZL-425*127*8-3KN
11	11002012009440	Fan Motor			1	\$83,86	YKT-32-6-202L
12	12222000004184	Supporter assembly of fan motor			1	\$10,45	
13	12222000006244	Left supporter			1	\$16,60	
14	12222000006246	Top cover assembly			1	\$28,31	
15	12222000006484	Partition board assembly			1	\$14,30	
16	17400306000019	Reactor			1	\$50,49	R1803B(AL)(BP)
17	15422000005174	4-Ways valve assembly			1	\$125,52	
17,1	15500204000021	Gas valve			1	\$25,00	DYF-A28N
17,2	15500216000341	4-Ways valve			1	\$70,98	STF-01AN1A
17,3	12222000002571	Valve plate			2	\$10,34	
18	15422000004812	Liquid valve assembly			1	\$34,96	
18,1	15500208000028	Liquid valve			1	\$15,60	GYF-A28N

This information is to be used by qualified HVAC technicians only and is subject to revision without notice

KSIF009-H115-O - Parts List No.

Above prices are subject to S&H charges

DATE

## KSIF009-H115-O - SPARE PARTS LIST

No.	Part Number	Part Name	Specifications	Stock No.	Qty.	Price	Remark
19	11103020000034	Compressor			1	\$249,88	ASN98D22UFZ
20	11201007000005	Discharge temperature sensor assembly			1	\$11,50	
21	17222000A19708	Electronic control box assembly			1	\$248,04	
21,1	12222000001455	Cover of electronic control box			1	\$7,26	
21,2	17122000A14729	Outdoor main control board assembly			1	\$208,80	
21,3	12122000006913	Support of electronic control box			1	\$7,81	
21,5	12222000001311	Electronic installing box			1	\$12,20	
22	15500406000010	Copper nut			1	\$4,40	TLM-B02
22	15500406000016	Copper nut			1	\$2,64	
25	12222000003986	Rear net			1	\$22,10	
27	17400103000052	Capacitor of compressor			1	\$26,89	45UF/250V
28	12200203000019	Capacitor clip			1	\$1,00	
31	12222000002259	Terminal board			1	\$1,00	
32	17400401000035	Wire joint			1	\$26,41	
40	17402001A00008	Crankcase electric heater			1	\$30,59	
41	17402002A00005	Electric heater of chassis			1	\$79,45	
43	12100509000059	Drain pipe			1	\$3,85	PJX1.3-1(L2000)
99	17401203000802	Compressor wire assembly			1	\$14,90	

This information is to be used by qualified HVAC technicians only and is subject to revision without notice

KSIF009-H115-O - Parts List No.

Above prices are subject to S&H charges

DATE