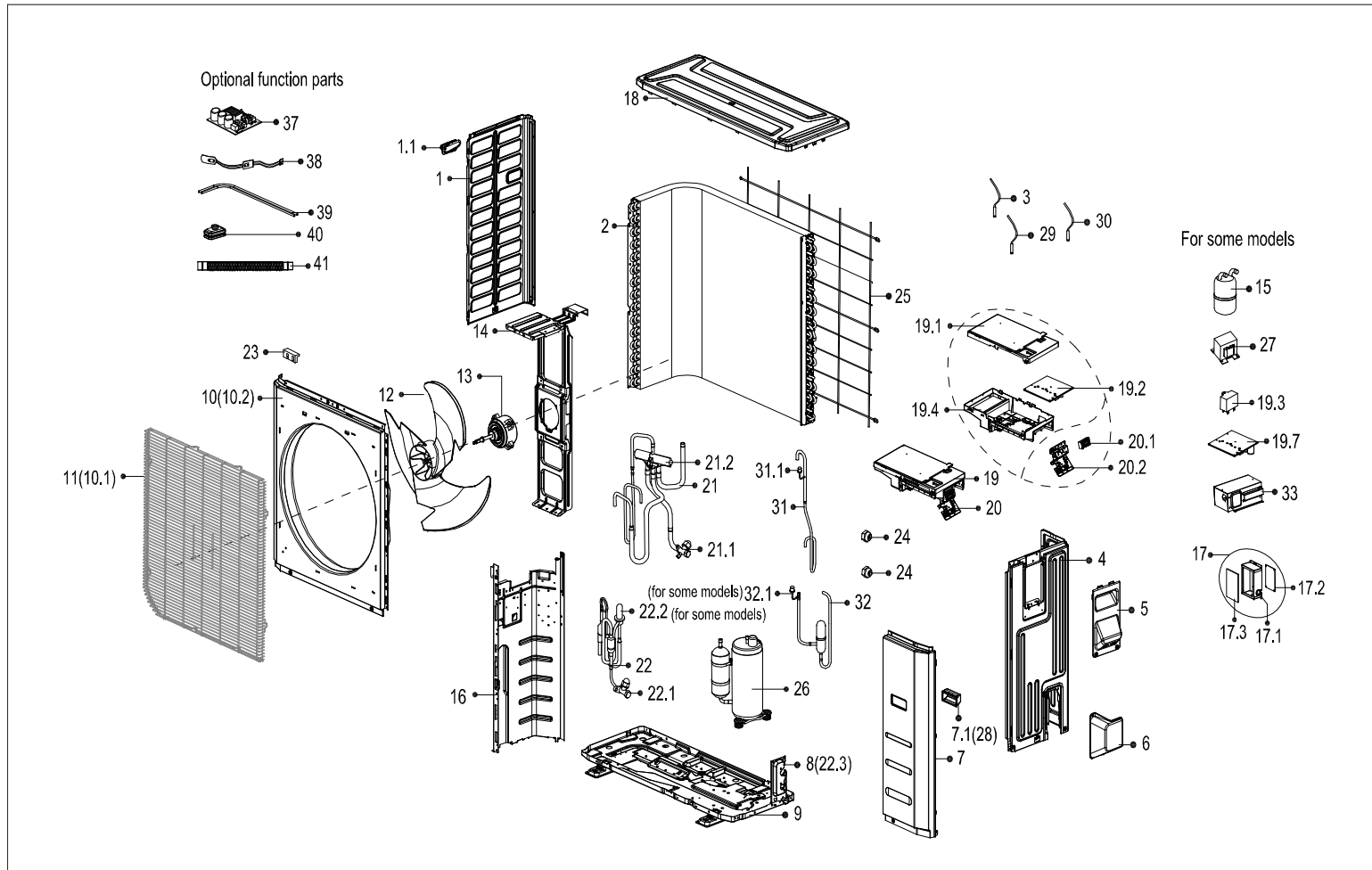


EXPLODED DIAGRAM - PARTS VIEW

Sale Model: KSIE024-H220-O

Power Supply: 208-230V / 1ph / 60Hz



This information is to be used by qualified HVAC technicians only and is subject to revision without notice

KSIE024-H220-O - Drawing No. D1IE1608

DATE 16-04

KSIE024-H220-O - SPARE PARTS LIST

No.	Part Number	Part Name	Specifications	Stock No.	Qty.	Price	Remarks
1	12222000006665	Left side plate assembly of cabinet			1	\$45.14	
1.1	12100701000033	Small Handle			1	\$1.45	
2	15822000003716	Condenser assembly			1	\$357.41	
3	11201007000006	Temperature Sensor			1	\$6.60	
4	12222000006664	Rear right clapboard assembly			1	\$69.16	
5	12222000004019	Big Handle			1	\$5.81	
6	12122200002695	Water Collecting Cover			1	\$7.92	
7	12222500000633	Front right clapboard assembly			1	\$51.10	
7.1	12100702000038	Little Handle			1	\$1.58	
9	12222000004018	Chassis assembly			1	\$94.00	
10	12222000004983	Front panel			1	\$85.34	
11	12222200000907	Air Outlet Guard			1	\$64.67	
12	12100105000084	Axial fan			1	\$52.02	
13	11002015000247	Brushless DC Motor			1	\$181.37	ZKFN-120-8-2
14	12222000005162	Holder for fan motor assembly			1	\$48.04	
16	12222200001158	Separator Assembly			1	\$32.60	
18	12222500000587	Topcap assembly			1	\$68.34	
19	17222000A15868	Electronic control box assembly			1	\$390.29	
19.1	12122200002713	Electric Installing Box Cover Subassembly			1	\$43.66	
19.2	17122000A13187	Outdoor main control board assembly			1	\$341.76	
19.4	12122200002717	Electric Installing Box Subassembly			1	\$37.62	
20	17222000014908	Terminal Block Subassembly of Electrical Control Box			1	\$45.37	
20.1	17400401000037	Wire holder			1	\$16.56	
20.2	12222200001476	Wiring terminal installing plate			1	\$3.96	

This information is to be used by qualified HVAC technicians only and is subject to revision without notice

KSIE024-H220-O - Parts List No. P1IE1608

Above prices are subject to S&H charges

DATE 16-04

KSIE024-H220-O - SPARE PARTS LIST

No.	Part Number	Part Name	Specifications	Stock No.	Qty.	Price	Remarks
21	15422000005608	4-ways valve assembly			1	\$141.41	
21.1	15500204000025	Stop valve			1	\$41.04	
21.2	15500216000361	4-ways valve			1	\$76.19	
21.4	15122000010254	Suction assembly			1	\$16.92	
21.5	15122000010256	Discharge assembly			1	\$11.88	
22	15422000003309	Liquid valve Assembly			1	\$167.11	
22.1	15500204000021	Low Pressure Valve			1	\$33.29	
22.2	15500213000265	Electronic expansion valve			1	\$137.38	
22.3	12222200002110	Installation plate for valves			1	\$5.41	
23	12122000006844	Clamp, front net			8	\$0.13	
24	15500406000003	Copper net			1	\$7.92	
24	15500406000010	Copper nut			1	\$4.36	
25	12222000006604	Rear net			1	\$31.35	
26	11103020000179	Inverter Controlled Rotary Compressor			1	\$401.77	ATF235D22UMT
27	17400306000058	Reactor			1	\$75.68	
29	11201007000157	Discharge temperature sensor assembly			1	\$8.84	
30	11201007000039	Room Temperature Sensor			1	\$4.49	
	17402001000119	Compressor heater			1	\$27.06	
	17402002000043	Chasis heater			1	\$79.33	

This information is to be used by qualified HVAC technicians only and is subject to revision without notice

KSIE024-H220-O - Parts List No. P1IE1608

Above prices are subject to S&H charges

DATE 16-04