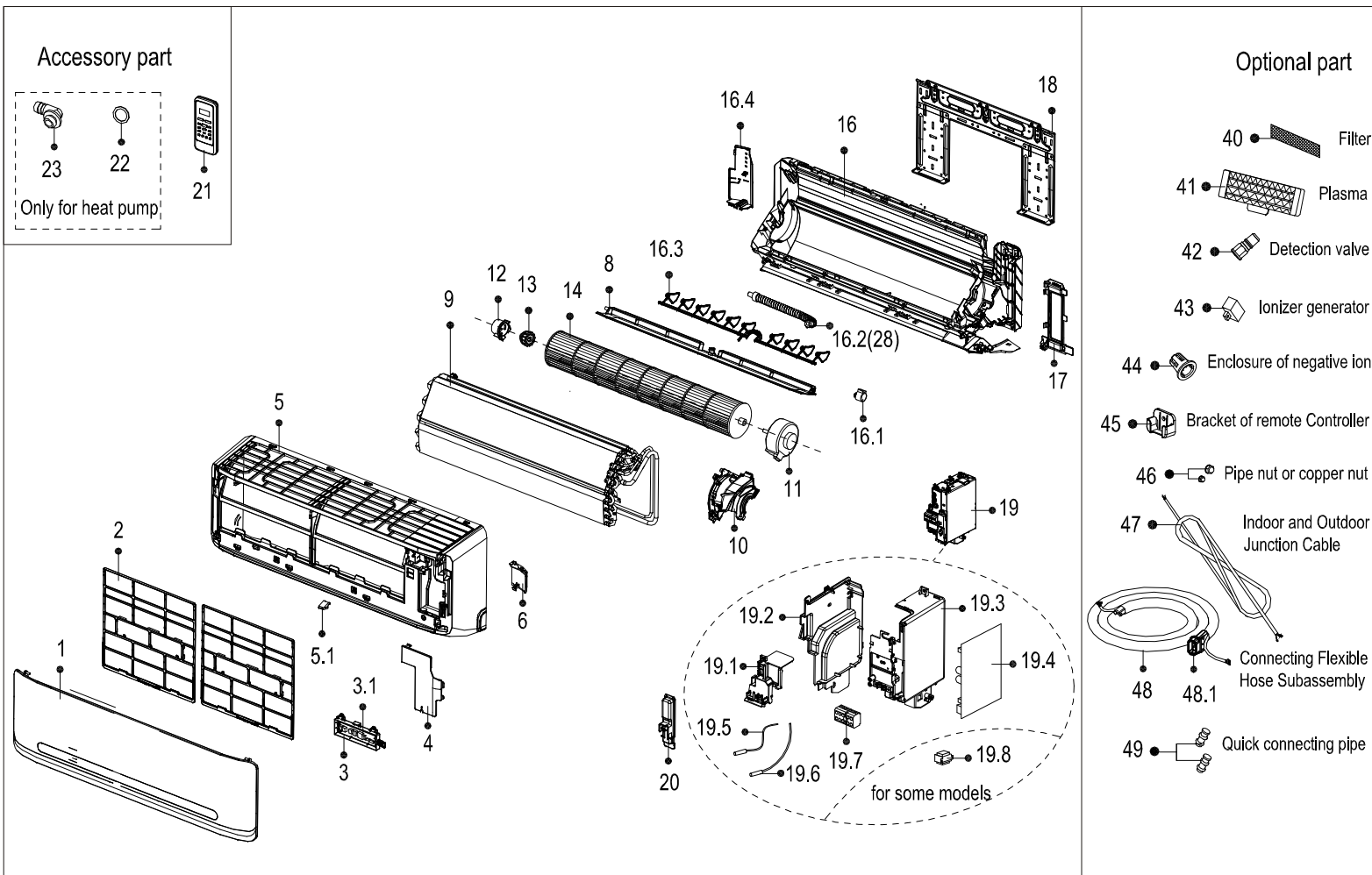


EXPLODED DIAGRAM - PARTS VIEW

Sales Model: KSIE009-H121-I

Power Supply: 115V / 60Hz



This information is to be used by qualified HVAC technicians only and is subject to revision without notice

KSIE009-H121-I - Drawing No. D2IE1604

DATE 16-04

KSIE009-H121-I - SPARE PARTS LIST

No.	Part Number	Part Name	Specifications	Stock No.	Qty.	Price	Remarks
1	12122000A09050	Panel assembly			1	\$43.55	
2	12100204000522	Filter			2	\$8.45	
3	17222000A08992	Indicator board assembly of Split Unit			1	\$18.00	
3.1	17122000A09452	Display Panel Subassembly(Sticker)			1	\$12.72	
4	12122000006755	E-Parts Cover Plate			1	\$4.49	
5	12122000001726	frame assembly			1	\$53.86	
5.1	12122000009477	Screw Cap			1	\$0.13	
6	12122000004587	Right Cover Plate of Chassis			1	\$0.92	
8	12122000005815	Wind Guide Assembly			1	\$12.00	
9	15822000003677	Evaporator assembly			1	\$156.53	
10	12122000005540	Motor Bearing Cover			1	\$4.36	
11	11002015000031	Brushless DC Motor			1	\$147.74	ZKFP-20-8-5
12	12122000000350	beating base jacket			1	\$0.53	
13	12622000000006	Beating base			1	\$1.58	
14	12100102000044	Cross-flow Window Rotor.			1	\$42.18	
16	12122000011818	Chassis assembly			1	\$99.20	
16.1	11002010000143	stepper motor			1	\$11.76	
16.3	12122000000038	Louver Assembly			1	\$2.90	
16.4	12122000010098	Left cover of chassis			1	\$1.58	
17	12122000012943	Pipe clamp board			1	\$1.98	
18	12222000000018	Installation Plate			1	\$15.00	
19	17222000009771	Electronic control box assembly			1	\$125.64	
19.1	12122000004577	Upper Cover Board of Electrical Control Box			1	\$1.85	
19.2	12122000004639	Left Side Plate of Electrical Control Box			1	\$7.13	

This information is to be used by qualified HVAC technicians only and is subject to revision without notice

KSIE009-H121-I - Parts List No. P2IE1604

Above prices are subject to S&H charges

DATE 16-04

KSIE009-H121-I - SPARE PARTS LIST

No.	Part Number	Part Name	Specifications	Stock No.	Qty.	Price	Remarks
19.3	12122000004632	Right Side Plate of E-Parts Box			1	\$10.32	
19.4	17122000019267	Indoor main control board assembly			1	\$106.09	
19.5	11201007000085	Room Temperature Sensor			1	\$5.02	
19.6	11201007000322	Temperature Sensor			1	\$4.75	
19.7	17400401000094	Wire joint, 5p			1	\$7.39	
20	12122000005020	Electrical Control Box Cover			1	\$0.66	
21	17317000A06740	Remote Controller			1	\$46.61	RG57A6/BGEFU1
22	12600701000039	Seal ring			1	\$0.13	
23	12100509000061	Drain hose			1	\$0.40	
28	12100501000032	Drain Hose			1	\$5.15	
40	12100204000685	Formaldehyde-kille			1	\$1.06	
46	15500406000016	Copper nut			1	\$3.43	
46	15500406000010	Copper nut			1	\$4.36	

This information is to be used by qualified HVAC technicians only and is subject to revision without notice

KSIE009-H121-I - Parts List No. P2IE1604

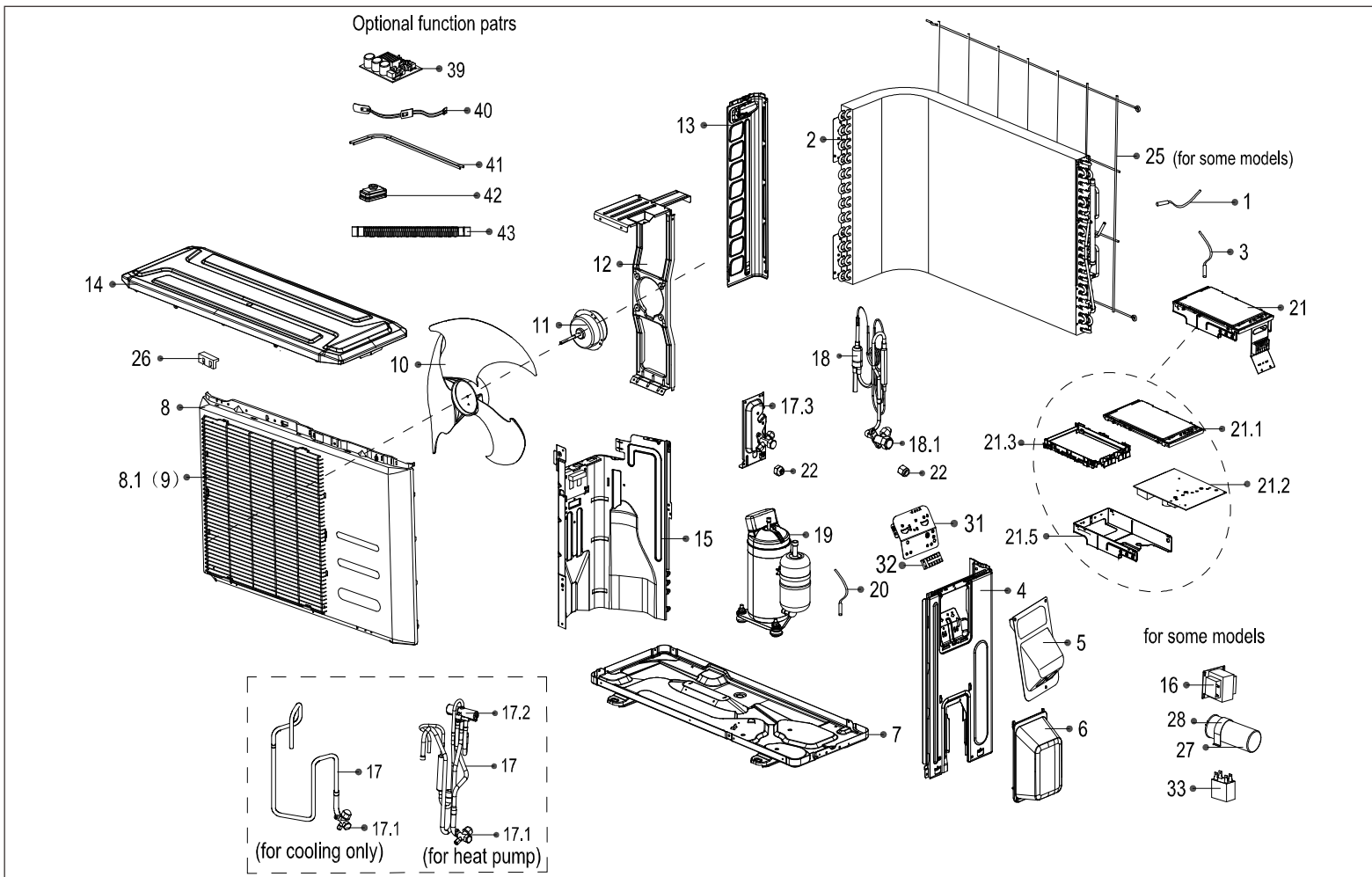
Above prices are subject to S&H charges

DATE 16-04

EXPLODED DIAGRAM - PARTS VIEW

Sales Model: KSIE009-H121-O

Power Supply: 115V / 60Hz



This information is to be used by qualified HVAC technicians only and is subject to revision without notice

KSIE009-H121-O - Drawing No. D1IE1604

DATE 16-04

KSIE009-H121-O - SPARE PARTS LIST

No.	Part Number	Part Name	Specifications	Stock No.	Qty.	Price	Remarks
1	11201007000039	Room Temperature Sensor			1	\$4.49	
2	15822000003516	Condenser Assembly			1	\$214.33	
3	11201007000136	Temperature Sensor			1	\$5.94	
4	12222000006249	Parts fn Right Side Plate			1	\$22.32	
5	12222000005102	Big handle			1	\$3.96	
6	12122000007150	Water Collecting Cover			1	\$9.11	
7	12222000006485	Chassis assembly			1	\$28.04	
8	12222000004842	Front panel			1	\$57.32	
9	12222000007424	Air outlet grille			1	\$56.10	
10	12100105000057	Axial fan			1	\$29.07	
11	11002015000041	Brushless DC Motor			1	\$107.35	ZKFN-40-8-1L
12	12222000004185	Supporter assembly of fan motor			1	\$10.43	
13	12222000006244	Left supporter			1	\$16.56	
14	12222000006246	Top cover assembly			1	\$28.27	
15	12222000006484	Partition board assembly			1	\$13.56	
16	17400306000019	Reactor			1	\$50.49	
17	15422000005174	4-Ways valve assembly			1	\$125.50	
17.1	15500204000021	Low Pressure Valve			1	\$24.96	
17.2	15500216000341	4-Ways valve			1	\$70.99	
17.3	12222000002571	Installing plate for valves			2	\$5.15	
18	15422000005175	High-Voltage valve Assembly			1	\$35.11	
18.1	15500208000028	High-Voltage valve			1	\$15.60	
19	11103020000034	Inverter Controlled Rotary Compressor			1	\$249.89	ASN98D22UFZ

This information is to be used by qualified HVAC technicians only and is subject to revision without notice

KSIE009-H121-O - Parts List No. P1IE1604

Above prices are subject to S&H charges

DATE 16-04

KSIE009-H121-O - SPARE PARTS LIST

No.	Part Number	Part Name	Specifications	Stock No.	Qty.	Price	Remarks
20	11201007000005	Discharge temperature sensor assembly			1	\$11.52	
21	17222000A16669	Electronic control box assembly			1	\$259.09	
21.1	12222000001455	Electric Installing Box Cover			1	\$7.26	
21.2	17122000A13697	Outdoor power board assembly			1	\$226.96	
21.3	12122000006913	Installation board for E-parts			1	\$8.98	
21.5	12222000001311	Electric Installing Box Subassembly			1	\$12.24	
22	15500406000010	Copper nut			1	\$4.36	
22	15500406000016	Copper nut			1	\$3.43	
25	12222000003986	Rear Net			1	\$22.08	
27	17400103000052	Compressor Capacitor(Round)			1	\$26.90	45uF/250V
28	12200203000007	Capacitor Clamp			1		
31	12222000002259	Terminal Installing Plate			1		
32	17400401000035	Wire holder			1	\$26.45	
	17402001A00008	Compressor heater			1	\$30.55	
	17402002A00005	Chasis heater			1	\$79.42	

This information is to be used by qualified HVAC technicians only and is subject to revision without notice

KSIE009-H121-O - Parts List No. P1IE1604

Above prices are subject to S&H charges

DATE 16-04