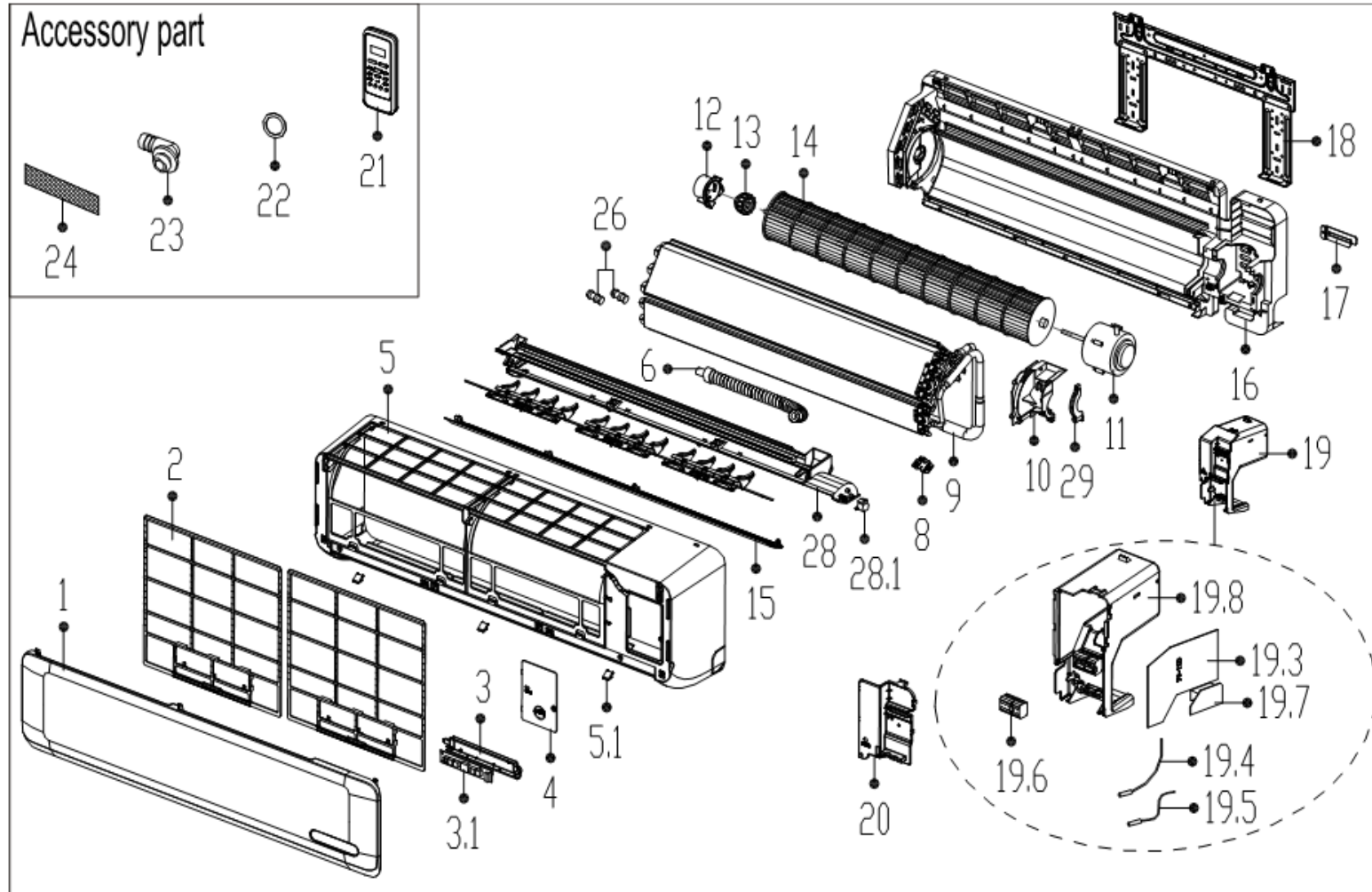


EXPLODED DIAGRAM - PARTS VIEW

Sales Model : KSID022-H215Q-I

Power Supply : 208-230V~ 60Hz 1Phase



This information is to be used by qualified HVAC technicians only and is subject to revision without notice

KSID022-H215Q-I Drawing No. D2ID1403

DATE 14-05

KSID022-H215Q-I - SPARE PARTS LIST

No.	Part No.	Description	Specifications	Stock No.	Qty.	Price	Remark
1	2011330A3333	Panel assembly			1	\$59.42	
2	201133090979	Air filter			2	\$7.92	
3	2033325A1222	Display box assembly			1	\$25.22	
3.1	201332391277	Display board assembly			1	\$19.65	
4	201133091048	Cover of electrical equipment			1	\$9.74	
5	201133091123	Panel frame assembly			1	\$89.67	
5.1	201119900950	Screw cap			3	\$0.33	
6	201101020038	Drain hose			1	\$6.11	
8	201102000305	Fix clamp of temperature sensor			1	\$0.33	
9	201533090118	Evaporator assembly			1	\$283.50	
10	201133090980	Fan motor cover			1	\$5.94	
11	202400401262	Asynchronous motor			1	\$185.40	RPG45B
12	201119900952	Bearing holder			1	\$0.83	
13	202719900606	Bearing base			1	\$2.15	
14	201100200053	Cross flow fan			1	\$64.52	GL-107.5*780-IN
15	201133090987	Horizontal louver			1	\$23.40	
16	2011330A3512	Chassis assembly			1	\$101.64	
17	201232800103	Pipe clamp board			1	\$1.49	
18	201232590038	Installation plate			1	\$22.05	
19	2033329A0597	Electronic control box assembly			1	\$132.39	
19.3	2013329A0410	Indoor main control board assembly			1	\$131.46	
19.4	202433190000	Ambient temperature sensor assembly			1	\$4.79	

This information is to be used by qualified HVAC technicians only and is subject to revision without notice

KSID022-H215Q-I Parts List No. P2ID1403

Above prices are subject to S&H charges

DATE 14-05

KSID022-H215Q-I - SPARE PARTS LIST

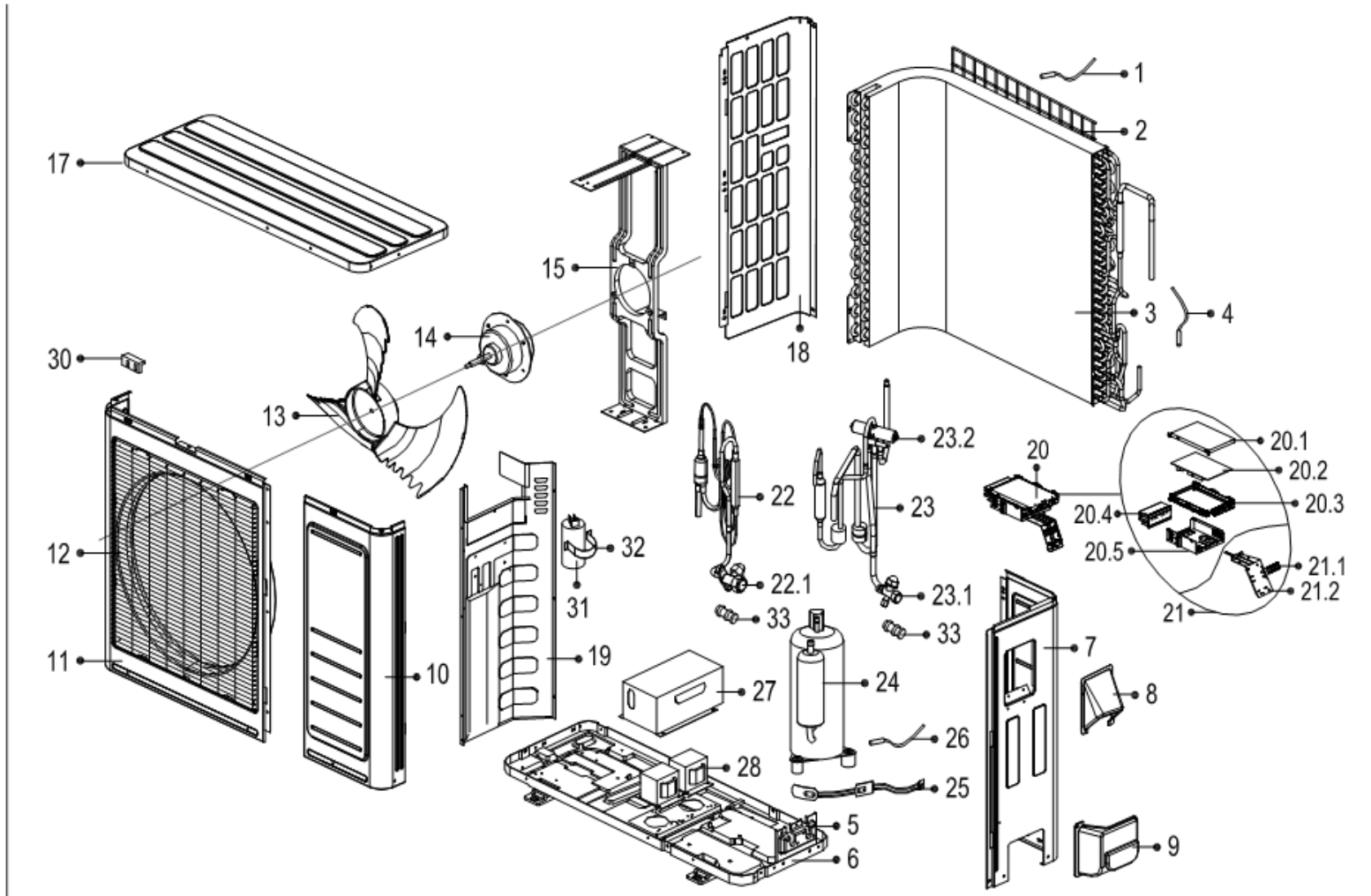
No.	Part No.	Description	Specifications	Stock No.	Qty.	Price	Remark
19.5	202301300080	Pipe temperature sensor assembly			1	\$7.10	
19.6	202301400488	Wire joint			1	\$10.50	
19.7	202300900099	Transformer			1	\$26.22	TF2-G55-1F
19.8	201133090976	Electronic control box			1	\$27.79	
20	201133090981	Cover of electronic control box			1	\$4.95	
21	2033550B0251	Remote Controller			1	\$29.21	
22	202720090001	Seal ring			1	\$0.33	
23	201101020011	Drain joint			1	\$0.50	
24	201131410703	Air freshening filter			1	\$1.49	
26	201600490406	Quick connecting pipe			1	\$137.70	KSJT-FA16N(YH)
26	201600490133	Quick connecting pipe			1	\$129.36	KSJT-FA09N(YH)
28	201133091125	Air outlet assembly			1	\$65.79	
28.1	202400200120	Louver motor			1	\$24.60	MP30EA4
29	201133090167	Fixing board of fan motor			1	\$1.32	

KSID022-H215Q-I Parts List No. P2ID1403

DATE 14-05

EXPLODED DIAGRAM - PARTS VIEW

Sales Model : KSID022-H215Q-O
Power Supply : 208-230V~ / 1ph / 60Hz



This information is to be used by qualified HVAC technicians only and is subject to revision without notice

KSID022-H215Q-O Drawing No. D11D1403

DATE 14-05

KSID022-H215Q-O - SPARE PARTS LIST

No.	Part No.	Description	Specifications	Stock No.	Qty.	Price	Remark
1	202301300115	Ambient temperature sensor assembly			1	\$6.44	
2	201248100375	Rear net			1	\$26.79	
3	201537990071	Condenser assembly			1	\$317.22	
4	202440500004	Pipe temperature sensor assembly			1	\$7.76	
5	201237300316	Valve plate			1	\$9.41	
6	201257090054	Chassis assembly			1	\$100.91	
7	201237890100	Rear right clapboard assembly			1	\$58.91	
8	201237390104	Big handle			1	\$9.41	
9	201137390017	Water collector			1	\$7.92	
10	201248100389	Front right clapboard assembly			1	\$56.48	
11	201248100356	Front panel			1	\$72.17	
12	201237890112	Air outlet grille			1	\$42.18	
13	201100320622	Axial flow fan			1	\$45.77	
14	202400401241	Asynchronous motor			1	\$203.40	YDK53-6FB(B)
15	2012481G0039	Supporter assembly of fan motor			1	\$55.34	
17	201248100363	Top cover assembly			1	\$57.89	
18	201248100364	Left supporter			1	\$34.20	
19	201237790031	Partition board assembly			1	\$54.70	
20	203338090333	Electronic control box assembly			1	\$365.64	
20.1	201237300162	Cover of electronic control box			1	\$10.40	
20.2	201338090082	Outdoor main control board assembly			1	\$327.30	
20.3	201137300162	Support of electronic control box			1	\$8.25	
20.4	202301900112	Radiator			1	\$67.45	
20.5	201237300318	Electronic installing box			1	\$10.05	
21	203337990161	Terminal board assembly			1	\$61.84	
21.1	202301400256	Wire joint			1	\$32.63	

This information is to be used by qualified HVAC technicians only and is subject to revision without notice

KSID022-H215Q-O Parts List No. P1ID1403

Above prices are subject to S&H charges

DATE 14-05

KSID022-H215Q-O - SPARE PARTS LIST

No.	Part No.	Description	Specifications	Stock No.	Qty.	Price	Remark
21.2	201237890064	Terminal board			1	\$7.43	
22	201638091046	Liquid valve assembly			1	\$61.58	
22.1	201600740704	Liquid valve			1	\$32.63	GYF-C26N
23	201638091137	4-ways valve assembly			1		
23.1	201600720296	Gas valve			1	\$54.83	DYF-C19N1
23.2	201600690011	4-ways valve			1	\$105.11	STF-02BN1
24	201400600530	Compressor			1	\$691.16	DA150S1C-20FZ
25	202403100501	Crankcase electric heater			1	\$34.77	
26	202301310068	Discharge temperature sensor assembly			1	\$10.65	
27	201248090001	Cover of inductance			1	\$17.25	
28	202301050026	Reactor			1	\$130.05	
28	202301000819	Reactor			1	\$72.93	
30	201135110801	Clamp of front net			8	\$0.33	
31	202401000078	Capacitor of compressor			1	\$38.62	35uF/450V-50-P2(2000h)
32	201200100002	Capacitor clip			1	\$0.50	
33	201600490406	Quick connecting pipe			1	\$137.70	KSJT-FA16N(YH)
33	201600490133	Quick connecting pipe			1	\$129.36	KSJT-FA09N(YH)

This information is to be used by qualified HVAC technicians only and is subject to revision without notice

KSID022-H215Q-O Parts List No. P1ID1403

Above prices are subject to S&H charges

DATE 14-05