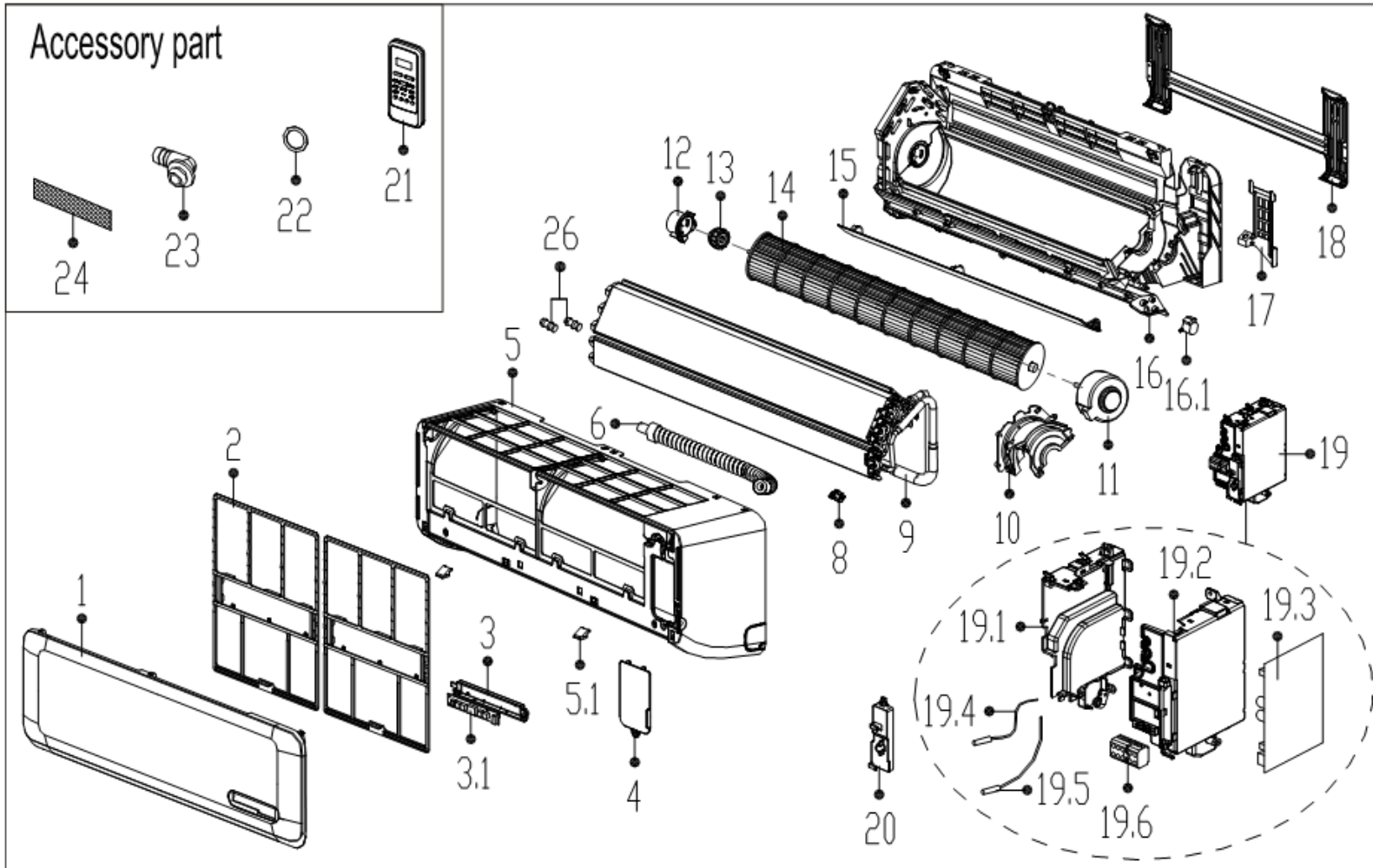


EXPLODED DIAGRAM - PARTS VIEW

Sales Model : KSID016-H214Q-I

Power Supply : 208-230V~ / 1 ph / 60Hz



This information is to be used by qualified HVAC technicians only and is subject to revision without notice

KSID016-H214Q-I Drawing No. D2ID1402

DATE 14-05

KSID016-H214Q-I - SPARE PARTS LIST

No.	Part No.	Part Name	Specifications	Stock No.	Qty.	Price	Remarks
1	2011327A2709	Panel assembly			1	\$38.54	
2	201132790644	Air filter			2	\$8.75	
3	2033325A1222	Display box assembly			1	\$26.55	
3.1	201332391277	Display board assembly			1	\$19.65	
4	201119901024	Cover of electrical equipment			1	\$5.45	
5	201132790682	Panel frame assembly			1	\$77.39	
5.1	201119900950	Screw cap			2	\$0.33	
6	201101020038	Drain hose			1	\$6.11	
8	201102000305	Fix clamp of temperature sensor			1	\$0.33	
9	201532790079	Evaporator assembly			1	\$237.33	
10	201132790645	Fan motor cover			1	\$5.28	
11	202400300419	Asynchronous motor			1	\$129.05	RPG28H
12	201119900952	Bearing holder			1	\$0.83	
13	202719900606	Bearing base			1	\$2.15	
14	201100200052	Cross flow fan			1	\$53.04	GL-98*728-IN
15	201132790643	Horizontal louver			1	\$17.55	
16	201132790679	Chassis assembly			1	\$116.13	
16.1	202400200031	Louver motor			1	\$15.90	MP24GA5
17	201119900949	Pipe clamp board			1	\$1.16	
18	201232790013	Installation plate			1	\$16.05	
19	2033325A2634	Electronic control box assembly			1	\$144.54	
19.1	201132490125	Electronic control box I			1	\$9.74	
19.2	201132490139	Electronic control box II			1	\$12.90	
19.3	201332591030	Indoor main control board assembly			1	\$131.46	

This information is to be used by qualified HVAC technicians only and is subject to revision without notice

KSID016-H214Q-I Parts List No. P2ID1402

Above prices are subject to S&H charges

DATE 14-05

KSID016-H214Q-I - SPARE PARTS LIST

No.	Part No.	Part Name	Specifications	Stock No.	Qty.	Price	Remarks
19.4	202432390005	Ambient temperature sensor assembly			1	\$4.95	
19.5	202301300584	Pipe temperature sensor assembly			1	\$7.10	
19.6	202301400488	Wire joint			1	\$10.50	
20	201132490126	Cover of electronic control box			1	\$1.20	
21	2033550B0251	Remote Controller			1	\$29.21	
22	202720090001	Seal ring			1	\$0.33	
23	201101020011	Drain joint			1	\$0.50	
24	201131410703	Air freshening filter			1	\$1.49	
26	201600490118	Quick connecting pipe			1	\$125.16	KSJT-FA06N(SF)
26	201600490122	Quick connecting pipe			1	\$132.20	KSJT-FA12N(SF)

This information is to be used by qualified HVAC technicians only and is subject to revision without notice

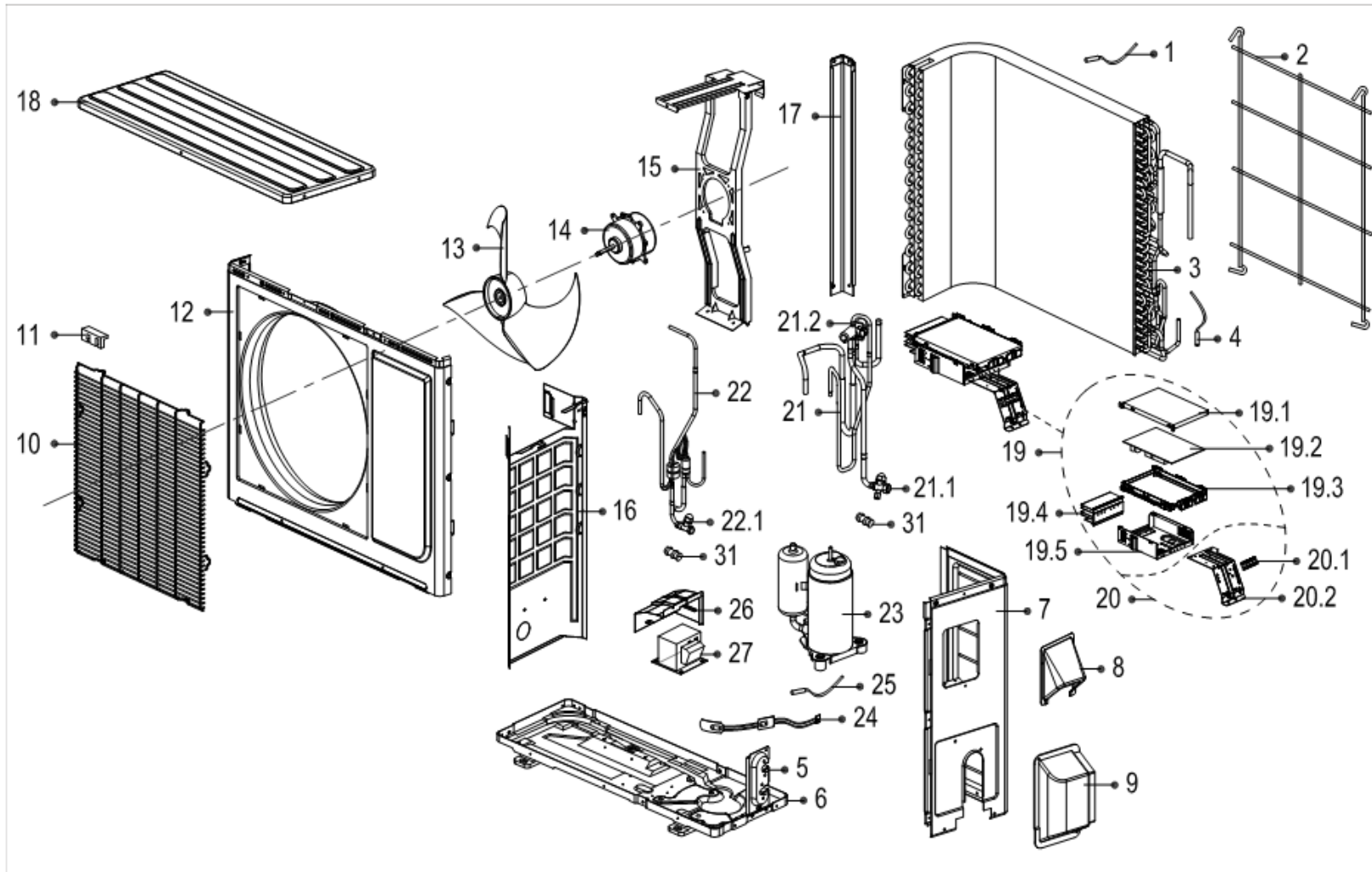
KSID016-H214Q-I Parts List No. P2ID1402

Above prices are subject to S&H charges

DATE 14-05

EXPLODED DIAGRAM - PARTS VIEW

Sales Model : KSID016-H214Q-O
Power Supply : 208-230V~ / 1ph / 60Hz



This information is to be used by qualified HVAC technicians only and is subject to revision without notice

KSID016-H214Q-O Drawing No. D11D1402

DATE 14-05

KSID016-H214-O - SPARE PARTS LIST

No.	Part No.	Description	Specifications	Stock No.	Qty.	Price	Remark
1	202301310075	Ambient temperature sensor assembly			1	\$5.94	
2	201237490045	Rear net			1	\$6.11	
3	201537690004	Condenser assembly			1	\$248.46	
4	202440500004	Pipe temperature sensor assembly			1	\$7.76	
5	201237200299	Valve plate			1	\$8.42	
6	201237890110	Chassis assembly			1	\$76.65	
7	201237590080	Right clapboard assembly			1	\$49.98	
8	201237390104	Big handle			1	\$9.41	
9	201137400000	Water collector			1	\$10.56	
10	201237890117	Air outlet grille			1	\$36.05	
11	201135110801	Clamp of front net			8	\$0.33	
12	201237890111	Front panel			1	\$72.66	
13	201100300534	Axial flow fan			1	\$38.90	ZL-425*135*8-3K
14	202400400171	Asynchronous motor			1	\$192.78	YDK49-6B
15	201237890080	Supporter assembly of fan motor			1	\$32.63	
16	20123789G003	Partition board assembly			1	\$33.77	
17	201237400400	Left supporter			1	\$8.58	
18	201237900028	Top cover assembly			1	\$52.66	
19	203337890327	Electronic control box assembly			1	\$313.92	
19.1	201237300162	Cover of electronic control box			1	\$10.40	
19.2	201337790071	Outdoor main control board assembly			1	\$287.34	
19.3	201137300162	Support of electronic control box			1	\$8.25	
19.4	202301990015	Radiator			1	\$39.05	
19.5	201237300318	Electronic installing box			1	\$10.05	

This information is to be used by qualified HVAC technicians only and is subject to revision without notice

KSID016-H214Q-O Parts List No. P1ID1402

Above prices are subject to S&H charges

DATE 14-05

KSID016-H214-O - SPARE PARTS LIST

No.	Part No.	Description	Specifications	Stock No.	Qty.	Price	Remark
20	203337590049	Terminal board assembly			1	\$62.86	
20.1	202301400256	Wire joint			1	\$32.63	
20.2	201237590046	Terminal board			1	\$9.08	
21	201637891258	4-Ways valve assembly			1	\$184.68	
21.1	201600720195	Gas valve			1	\$46.74	DYF-B16N1
21.2	201600690011	4-Ways valve			1	\$105.11	STF-02BN1
22	201637891215	Liquid valve assembly			1	\$62.35	
22.1	201600740523	Liquid valve			1	\$25.22	GYF-A18N
23	201400603269	Compressor			1	\$505.16	DA130M1C-31FZ
24	202403100501	Crankcase electric heater			1	\$34.77	
25	202301310068	Discharge temperature sensor assembly			1	\$10.65	
26	20123789G002	Cover of inductance			1	\$9.41	
27	202301000903	Reactor			1	\$74.87	
31	201600490122	Quick connecting pipe			1	\$132.20	KSJT-FA12N(SF)
31	201600490118	Quick connecting pipe			1	\$125.16	KSJT-FA06N(SF)

This information is to be used by qualified HVAC technicians only and is subject to revision without notice

KSID016-H214Q-O Parts List No. P11D1402

Above prices are subject to S&H charges

DATE 14-05