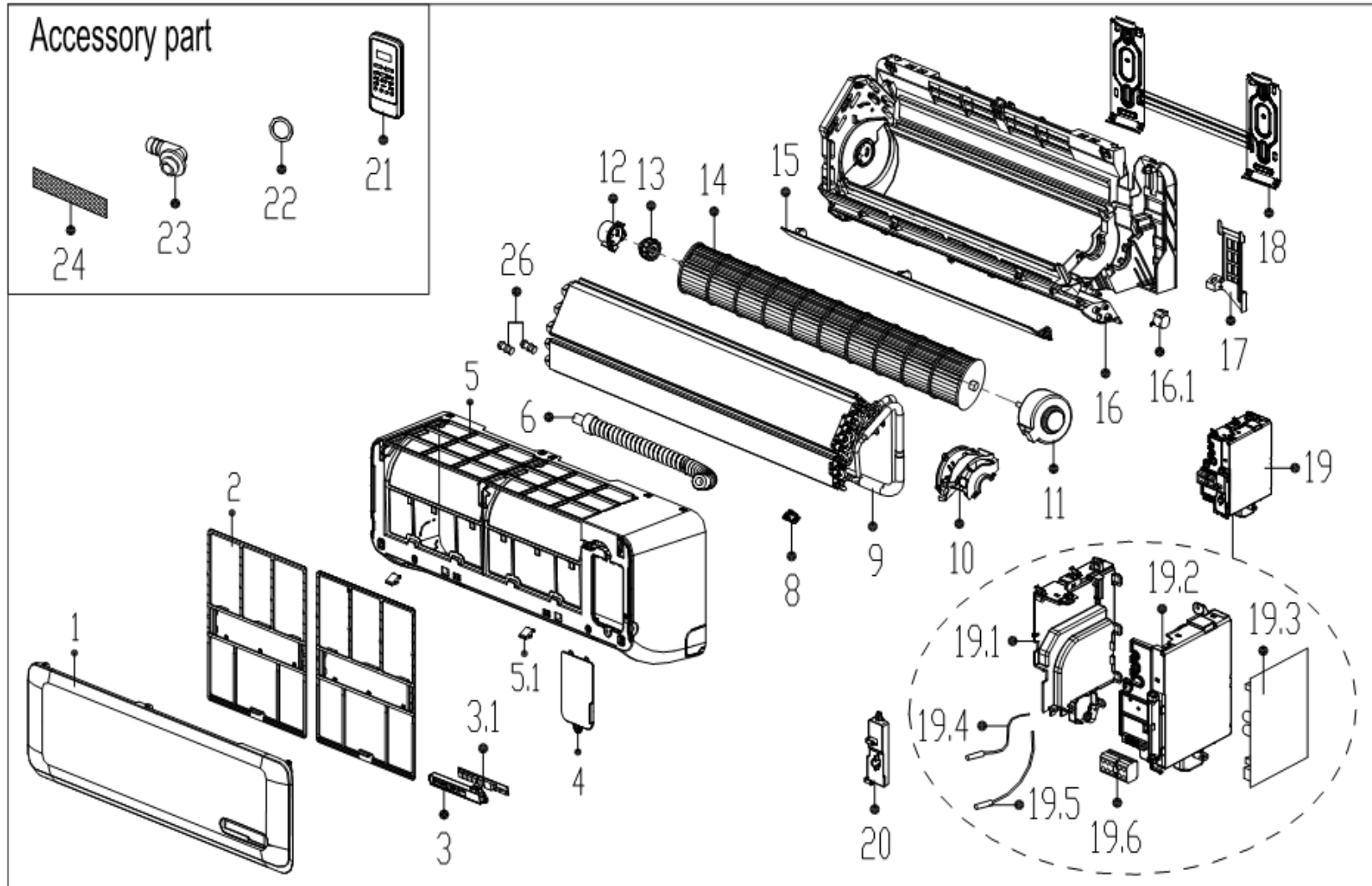


# EXPLODED DIAGRAM - PARTS VIEW

Sales Model : KSID012-H115Q-I

Power Supply : 115V~ 60Hz



This information is to be used by qualified HVAC technicians only and is subject to revision without notice

KSID012-H115Q-I Drawing No. D2ID1401

DATE 14-05

## KSID012-H115-I - SPARE PARTS LIST

No.	Part No.	Description	Specifications	Stock No.	Qty.	Price	Remarks
1	2011324A0296	Panel assembly			1	\$32.15	
2	201132490130	Air filter			2	\$4.46	
3	2033325A1222	Display box assembly			1	\$25.22	
3.1	201332391277	Display board assembly			1	\$19.65	
4	201119901024	Cover of electrical equipment			1	\$5.45	
5	201132490144	Panel frame assembly			1	\$68.21	
5.1	201119900950	Screw cap			2	\$0.33	
6	201101020038	Drain hose			1	\$6.11	
8	201102000305	Fix clamp of temperature sensor			1	\$0.33	
9	201532490047	Evaporator assembly			1	\$225.27	
10	201132490127	Fan motor cover			1	\$6.11	
11	202400300417	Asynchronous motor			1	\$109.62	RPG15A
12	201119900952	Bearing holder			1	\$0.83	
13	202719900606	Bearing base			1	\$2.15	
14	201100200051	Cross flow fan			1	\$46.31	GL-95*588-N
15	201132490131	Horizontal louver			1	\$13.20	
16	201132490142	Chassis assembly			1	\$94.29	
16.1	202400200031	Louver motor			1	\$15.90	MP24GA5
17	201119900949	Pipe clamp board			1	\$1.16	
18	201232490004	Installation plate			1	\$12.90	
19	2033325A2635	Electronic control box assembly				\$145.08	
19.1	201132490125	Electronic control box I			1	\$9.74	
19.2	201132490139	Electronic control box II			1	\$12.90	

This information is to be used by qualified HVAC technicians only and is subject to revision without notice

KSID012-H115Q-I Parts List No. P2ID1401

Above prices are subject to S&H charges

DATE 14-05

## KSID012-H115-I - SPARE PARTS LIST

No.	Part No.	Description	Specifications	Stock No.	Qty.	Price	Remarks
19.3	201332591030	Indoor main control board assembly			1	\$131.78	
19.4	202432390005	Ambient temperature sensor assembly			1	\$4.95	
19.5	202301300584	Pipe temperature sensor assembly			1	\$7.10	
19.6	202301400488	Wire joint			1	\$10.50	
20	201132490126	Cover of electronic control box			1	\$1.32	
21	2033550B0251	Remote Controller			1	\$29.21	
22	202720090001	Seal ring			1	\$0.33	
23	201101020011	Drain joint			1	\$0.50	
24	201131410703	Air freshening filter			1	\$1.49	
26	201600490122	Quick connecting pipe			1	\$132.20	KSJT-FA12N(SF)
26	201600490118	Quick connecting pipe			1	\$125.16	KSJT-FA06N(SF)

This information is to be used by qualified HVAC technicians only and is subject to revision without notice

KSID012-H115Q-I Parts List No. P2ID1401

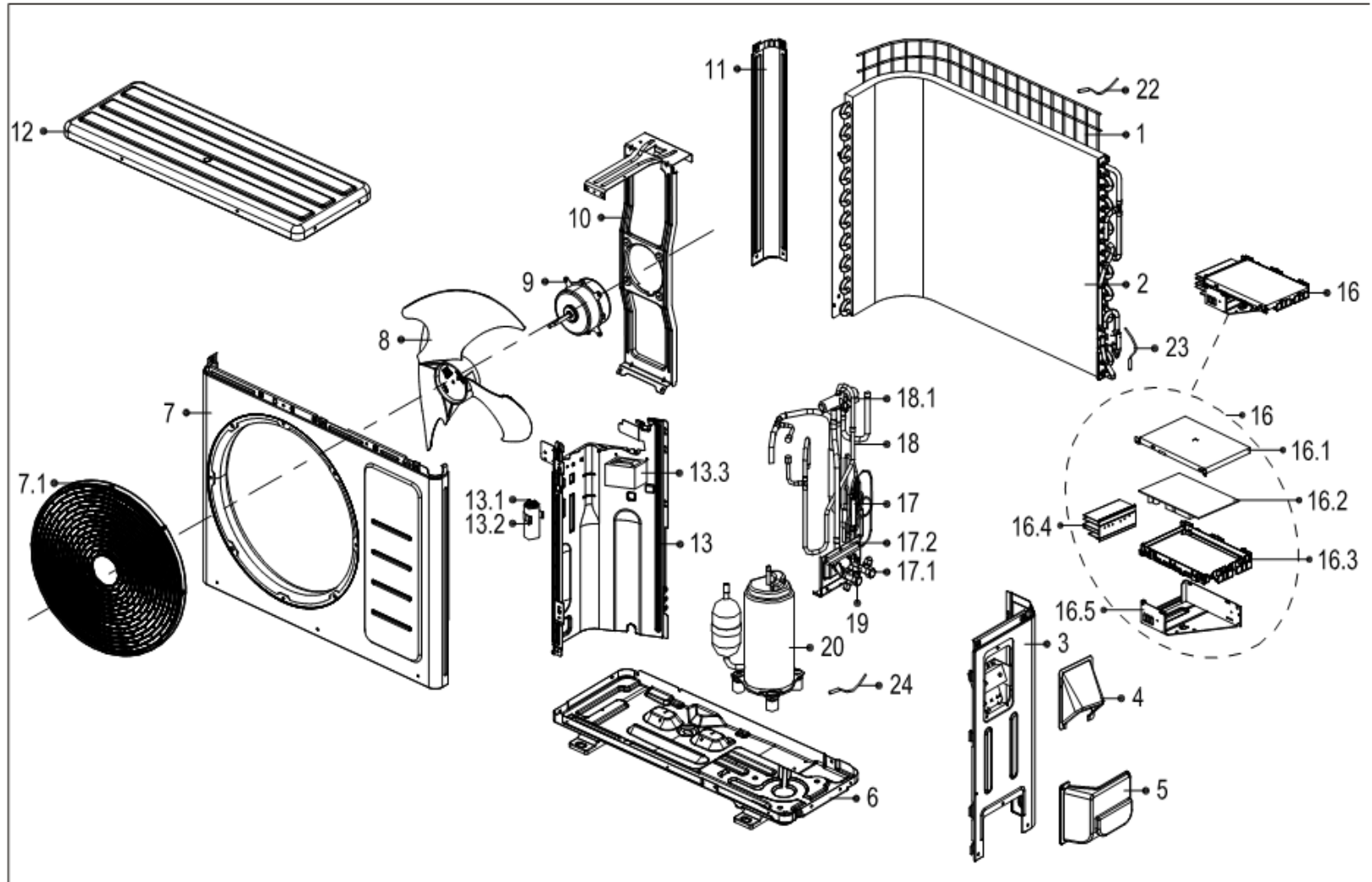
Above prices are subject to S&H charges

DATE 14-05

# EXPLODED DIAGRAM - PARTS VIEW

Sales Model : KSID012-H115Q-O

Power Supply : 115V~ 60Hz



This information is to be used by qualified HVAC technicians only and is subject to revision without notice

KSID012-H115Q-O Drawing No. D1ID1401

DATE 14-05

## KSID012-H115-O - SPARE PARTS LIST

No.	Part No.	Description	Specifications	Stock No.	Qty.	Price	Remark
1	201237500260	Rear net			1	\$22.50	
2	201537591112	Condenser assembly			1	\$287.64	
3	201237500257	Right clapboard assembly			1	\$84.02	
4	201237390104	Big handle			1	\$9.41	
5	201137390017	Water collector			1	\$7.92	
6	201237500230	Chassis assembly			1	\$57.76	
7	201237500196	Front panel			1	\$77.90	
7.1	201137500010	Air outlet grille			1	\$18.15	
8	201100300034	Axial flow fan			1	\$28.22	ZL-362*127*8-3K
9	202400400990	Asynchronous motor			1	\$128.84	YDK24-6AS
10	201237500176	Supporter assembly of fan motor			1	\$17.40	
11	201237500180	Left supporter			1	\$10.80	
12	201237500177	Top cover assembly			1	\$40.19	
13	201237500258	Partition board assembly			1	\$113.09	
13.1	202401090021	Capacitor of compressor			1	\$38.62	45uF/250V
13.2	201200100026	Capacitor clip			1	\$0.33	
13.3	202301000860	Reactor			1	\$72.55	
16	203337390229	Electronic control box assembly			1	\$300.00	
16.1	201237300162	Cover of electronic control box			1	\$10.40	
16.2	201337390192	Outdoor main control board assembly			1	\$272.28	
16.3	201137300162	Support of electronic control box			1	\$8.25	
16.4	202301990015	Radiator			1	\$39.05	
16.5	201237390055	Electronic installing box			1	\$11.55	

This information is to be used by qualified HVAC technicians only and is subject to revision without notice

KSID012-H115Q-O Parts List No. P1ID1401

Above prices are subject to S&H charges

DATE 14-05

## KSID012-H115-O - SPARE PARTS LIST

No.	Part No.	Description	Specifications	Stock No.	Qty.	Price	Remark
17	201637591330	Liquid valve assembly			1	\$46.31	
17.1	201600700076	Liquid valve			1	\$24.80	GYF-A23N
17.2	2012373N0005	Valve plate			1	\$7.76	
18	201637591332	4-ways valve assembly			1	\$145.89	
18.1	201600690008	4-ways valve			1	\$91.77	STF-01AN1
19	201600720194	Gas valve			1	\$47.17	DYF-B17N1
20	201400601230	Compressor			1	\$407.56	DA108X1C-23EZ
22	202301300115	Ambient temperature sensor assembly			1	\$6.44	
23	202301300445	Pipe temperature sensor assembly			1	\$7.26	
24	202301310068	Discharge temperature sensor assembly			1	\$10.65	

This information is to be used by qualified HVAC technicians only and is subject to revision without notice

KSID012-H115Q-O Parts List No. P1ID1401

Above prices are subject to S&H charges

DATE 14-05