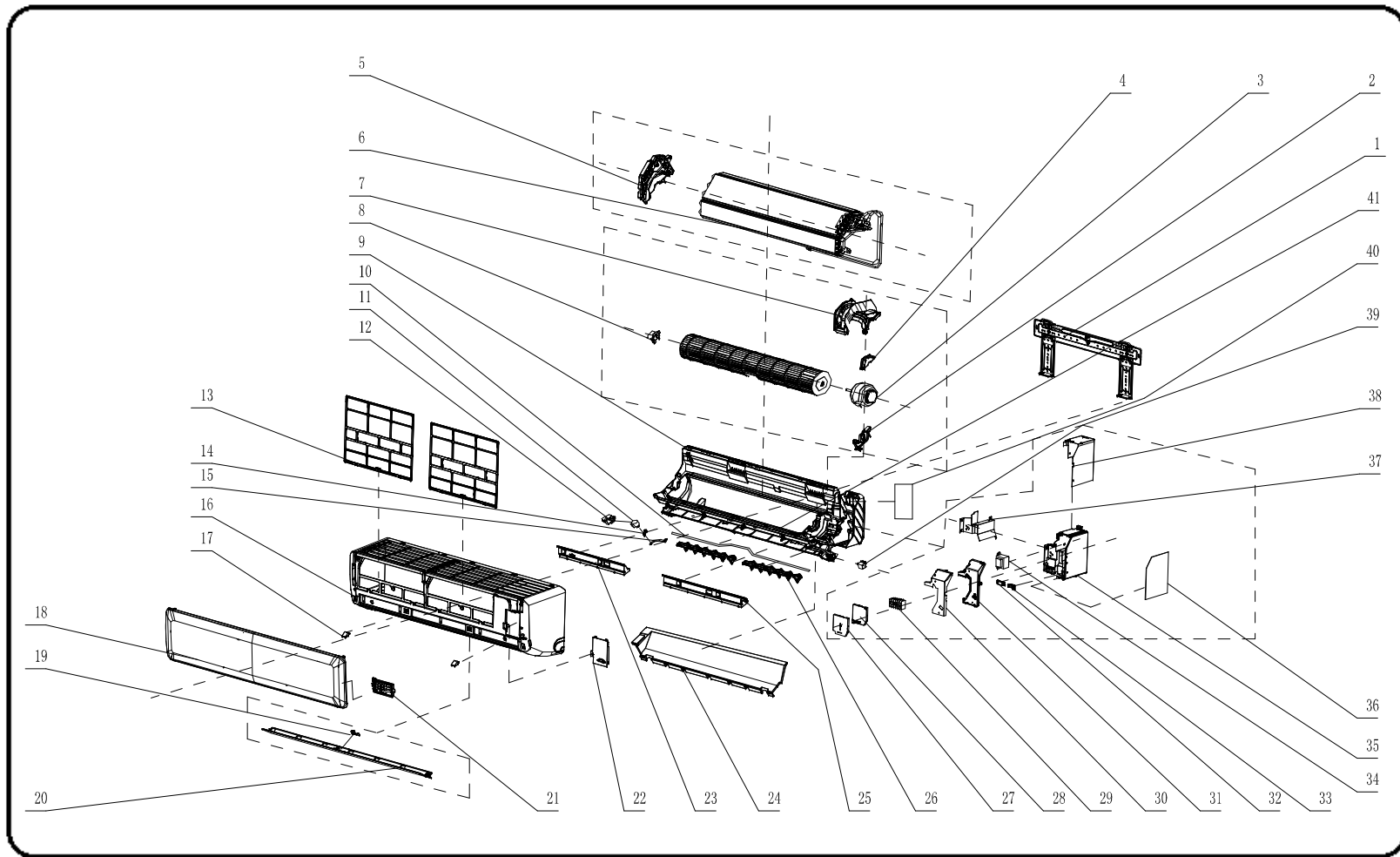


EXPLODED DIAGRAM - PARTS VIEW

Sales Model: KSIA018-H216-I
Power Supply: 208-230~ 60Hz 1ph



This information is to be used by qualified HVAC technicians only and is subject to revision without notice

KSIA018-H216-I - Drawing No. D5IA1605

DATE 16-03

KSIA018-H216-I - SPARE PARTS LIST

No.	Part Number	Part Name	Specifications	Stock No.	Qty.	Price	Remarks
1	11321003000028	Front panel			1	\$71.05	
2	11320074000004	Indoor fan motor supporter			1	/	
3	11230003000137	IDU fan motor			1	\$120.82	
4	11320087000030	Motor Plate			1	/	
5	11320015000138	Evaporator left side carriage			1	\$4.40	
6	11224003000695	Evaporator assembly			1	\$219.36	
7	11320052000043	Motor cover			1	/	
8	11220551000003	Rubber shaft bearing			1	\$2.31	
9	11320001000240	Chassis assembly			1	\$92.47	
10	11320085000093	Air vent link			1	/	
11	11230002000070	Stepping motor			1	\$14.20	
12	11320127000007	Motor frame			1	/	
13	11320025000059	Filter			2	\$10.10	
14	11320091000014	Cranks			1	/	
15	11320085000081	Louver link			1	/	
16	11320002000232	Middle frame			1	\$48.28	
17	11320096000075	Screw cover			2	\$1.10	
18	11320003002071	Panel			1	\$71.05	
19	11320080000007	Air louver fixation			1	/	
20	11320005000287	Air louver			1	\$16.30	
21	11222014000574	Display Board			1	\$43.18	
22	11320076000057	Middle frame wiring cover			1	\$4.40	
23	11328003000134	Insulation foam			1	/	
24	11328003000120	Insulation foam			1	/	
25	11328003000135	Insulation foam			1	/	

This information is to be used by qualified HVAC technicians only and is subject to revision without notice

KSIA018-H216-I - Parts List No. PSIA1605

DATE 16-03

KSIA018-H216-I - SPARE PARTS LIST

No.	Part Number	Part Name	Specifications	Stock No.	Qty.	Price	Remarks
26	11320017000122	Air vent			2	\$4.40	
27	11321020000039	Iron control box A			1	/	
28	11320058000068	Iron control cover			1	/	
29	11330037000020	Terminal board			1	\$6.71	
30	11321020000038	Iron control box A			1	/	
31	11320058000068	Control box cover			1	\$6.71	
32	11320010000045	Cable clamp			1	/	
33	11321001000009	Clamp			1	/	
35	11320057000083	Control box			1	\$20.30	
36	11222009002817	PCB Board			1	\$14.22	
37	11321020000039	Iron control box B			1	/	
38	11321020000038	Iron control box C			1	/	
39	11230002000071	Stepping motor			1	\$1.42	
40	11320084000014	Tube clamp			1	\$0.10	
41	11320135000017	Volute tongue			1	/	

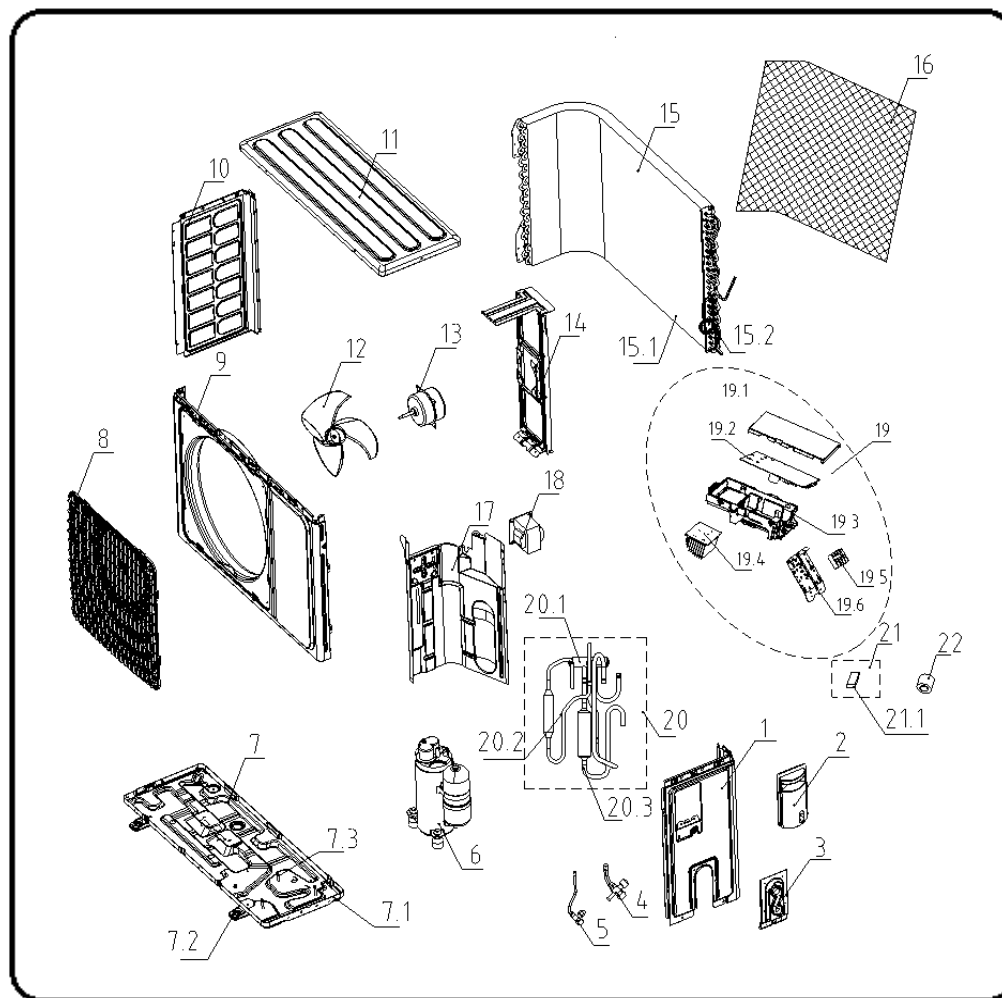
This information is to be used by qualified HVAC technicians only and is subject to revision without notice

KSIA018-H216-I - Parts List No. P5IA1605

DATE 16-03

EXPLODED DIAGRAM - PARTS VIEW

Sales Model: KSIA018-H216-O
Power Supply: 208-230~ 60Hz 1ph



This information is to be used by qualified HVAC technicians only and is subject to revision without notice

KSIA018-H216-O - Drawing No. D5IA1606

DATE 16-03

KSIA018-H216-O - SPARE PARTS LIST

No.	Part Number	Part Name	Specifications	Stock No.	Qty.	Price	Remarks
1	11321007000291	right side panel			1	\$28.88	
2	11321008000014	E-parts cover			1	\$4.40	
3	11321031000027	valve plate			1	\$4.40	
4	11225517000011	Gas Valve			1	\$44.37	
5	11325042000030	Liquid Valve			1	\$24.30	
6	11223015000075	Compressor assembly			1	\$357.95	
7	11221502000440	Chassis assembly			1	\$51.85	
7.1	11321014000128	Chassis			1	\$51.85	
7.2	11321023000013	Foot			1	/	
7.3	14731005000015	Screw Bolt			3	/	
8	11321022000215	panel grille			1	/	
9	11321005000077	panel			1	\$38.57	
10	11321006000113	left side support plate			1	\$10.10	
11	11321009000036	Top cover assembly			1	\$38.57	
12	11320009000050	axial flow fan			1	\$28.44	
13	11230005000011	Outdoor fan motor			1	\$127.96	
14	11321002000031	motor support			1	\$24.30	
15	11224004001206	Condenser assembly			1	\$260.00	
15.1	11224006000390	Condenser			1	\$260.00	
15.2	11225506001308	Capillary assembly			1	\$20.30	
16	11320026000047	Back grille			1	\$20.30	
17	11321025000059	partition board			1	\$20.30	
18	11330034000012	reactor			1	\$51.85	

This information is to be used by qualified HVAC technicians only and is subject to revision without notice

KSIA018-H216-O - Parts List No. D5IA1606

DATE 16-03

KSIA018-H216-O - SPARE PARTS LIST

No.	Part Number	Part Name	Specifications	Stock No.	Qty.	Price	Remarks
19	11222004000494	Main control unit			1	\$316.88	
19.1	11320058000057	control box cover			1	\$6.71	
19.2	11222031000596	PCB board			1	\$260.00	
19.3	11320057000069	Control box			1	/	
19.4	11329031000011	Radiator			1	/	
19.5	11330037000139	terminal board			1	\$6.71	
19.6	11321015000048	E-parts bracket			1	\$4.40	
20	11225516000609	4-way valve tubing assembly			1	/	
20.1	11225509000039	4-way valve			1	\$78.19	
20.2	11225505000513	discharge pipe assembly			1	/	
20.3	11225504000424	suction pipe assembly			1	/	
21	11332004000044	Plastic bag			1	/	
21.1	14618079000002	putty			1	/	
22	11320022000016	nylon tape			1	/	

This information is to be used by qualified HVAC technicians only and is subject to revision without notice

KSIA018-H216-O - Parts List No. D5IA1606

DATE 16-03