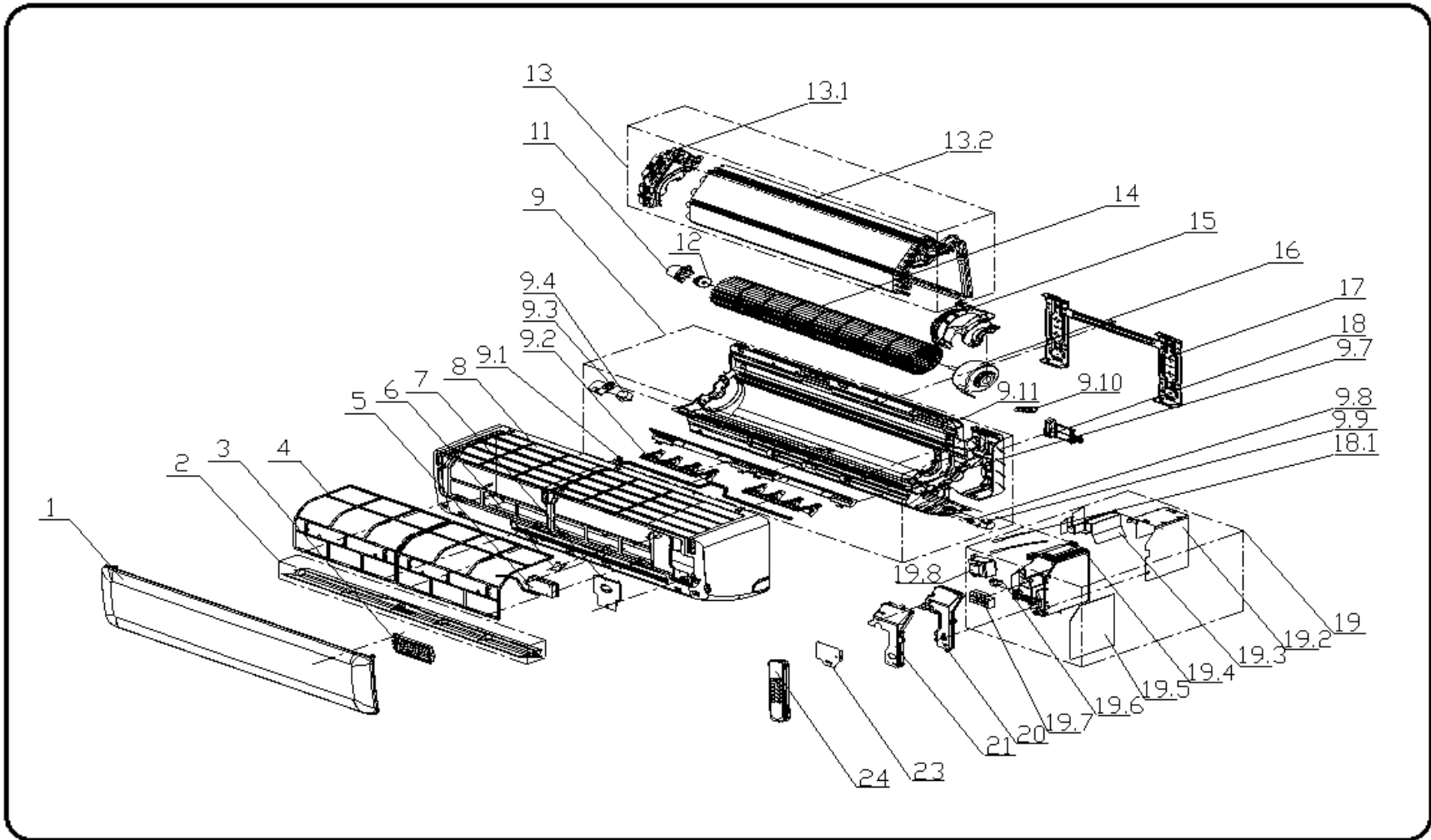


EXPLODED DIAGRAM - PARTS VIEW

Sales Model: KSIA009-H216-I
Power Supply: 208-230~ 60Hz 1ph



This information is to be used by qualified HVAC technicians only and is subject to revision without notice

KSIA009-H216-I - Drawing No. D5IA1601

DATE 16-03

KSIA009-H216-I - SPARE PARTS LIST

No.	Part Number	Part Name	Specifications	Stock No.	Qty.	Price	Remarks
1	11320003002093	Front panel			1	\$69.11	
2	11320005000289	Air louver			1	\$12.20	
3	11222023000495	Display Board			1	\$42.47	
4	11220508000124	Filter			2	\$6.71	
5	11320033000076	Display Board Base			1	/	
6	11320096000075	Screw Cover			1	\$0.45	
7	11320076000084	Medium frame cover			1	\$4.75	
8	11320002000234	Medium frame			1	\$42.47	
9	11320076000009	Medium frame cover			1	\$4.75	
9.1	11320017000124	Air vent link			1	/	
9.2	11320017000124	Air vent			2	\$3.50	
9.3	11320079000016	Axel sleeve			1	/	
9.4	11230002000086	Step motor			1	\$10.10	
9.7	11320135000018	Volute tongue			1	/	
9.8	14731001000028	Screws			1	/	
9.9	11230002000086	Step motor			1	\$10.10	
9.1	11333003000009	Drain jam			1	/	
9.11	11320001000241	Chassis			1	\$78.19	
11	11320062000028	Fixed Seat			1	/	
12	11220551000003	Shaft rubber bearing			1	\$2.35	
13	11224003000649	Evaporator assembly			1	\$158.40	
13.1	11320015000139	Evaporator left side support			1	\$4.40	
13.2	11224009000284/	Evaporator A and B			1	/	
	11224009000285						
14	11220513000065	Indoor fan			1	\$34.68	

KSIA009-H216-I - Parts List No. PSIA1601

This information is to be used by qualified HVAC technicians only and is subject to revision without notice

DATE 16-03

KSIA009-H216-I - SPARE PARTS LIST

No.	Part Number	Part Name	Specifications	Stock No.	Qty.	Price	Remarks
15	11320052000044	Motor cover			1	\$4.40	
16	11230003000141	Indoor fan motor			1	\$78.19	
17	11221500000034	Mounting plate assembly			1	\$8.91	
18	11320084000013	Pipe clamp			1	\$1.17	
18.1	11320029000004	Plastic tie			1	/	
19	11222003002097	Main control assembly			1	\$136.50	
19.2	11321020000033	Metal cover A			1	\$6.73	
19.3	11321020000034	Metal cover B			1	\$6.73	
19.4	11320057000082	Control box			1	\$14.35	
19.5	11222009002798	PC board			1	\$92.47	
19.6	11321001000009	Clamp			1	/	
19.7	11330037000020	Terminal Board			1	\$10.35	
19.8	11329013000027	Room sensor			1	\$6.79	
20	11320058000067	Control box cover			1	\$6.79	
21	11321020000035	Control box plastic cover			1	/	
23	11321020000036	Control box metal cover			1	/	
24	11222001000112	Remote control				\$51.85	

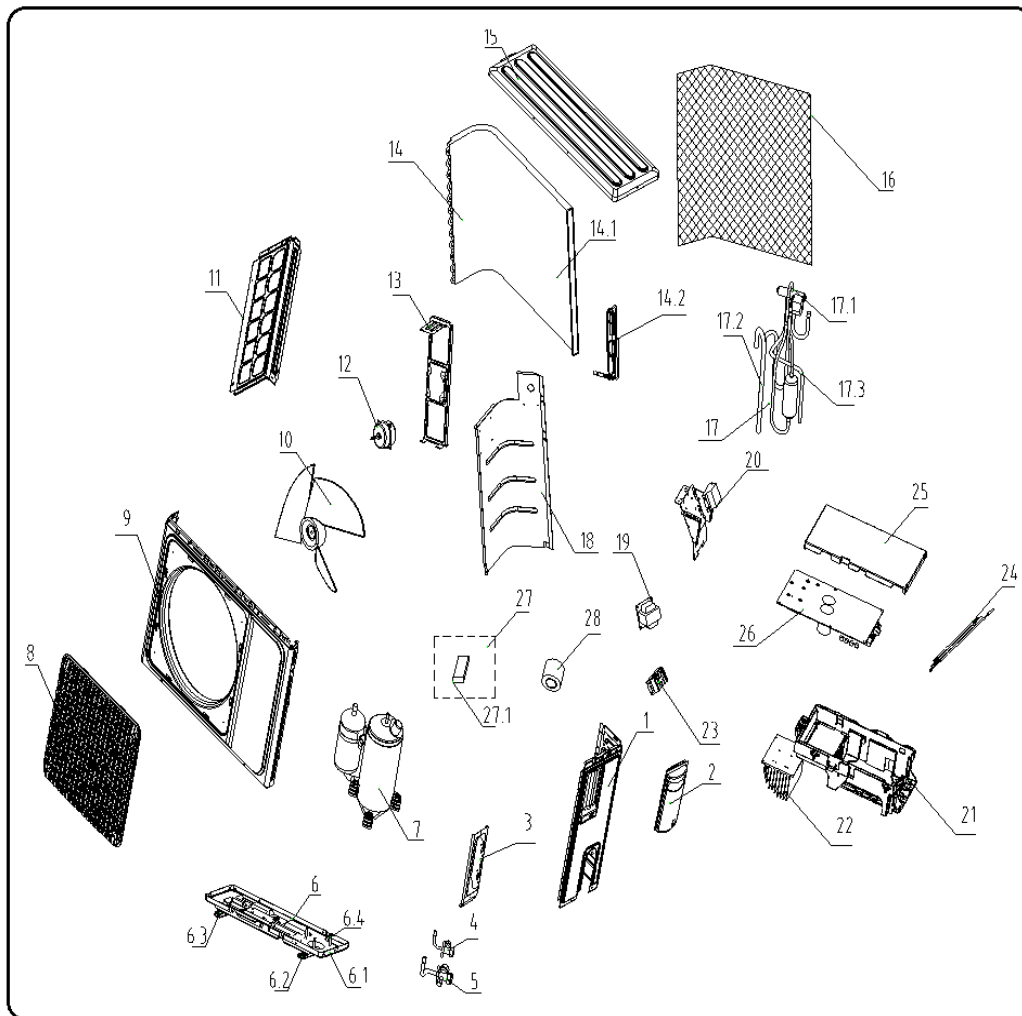
KSIA009-H216-I - Parts List No. P5IA1601

This information is to be used by qualified HVAC technicians only and is subject to revision without notice

DATE 16-03

EXPLODED DIAGRAM - PARTS VIEW

Sales Model: KSIA009-H216-O
Power Supply: 208-230~ 60Hz 1ph



This information is to be used by qualified HVAC technicians only and is subject to revision without notice

KSIA009-H216-O - Drawing No. D5IA1602

DATE 16-03

KSIA009-H216-O - SPARE PARTS LIST

No.	Part Number	Part Name	Specifications	Stock No.	Qty.	Price	Remark
1	11321007000287	right side panel	1			\$24.30	
2	11321008000014	E-parts cover	1			\$4.40	
3	11321031000027	valve plate	1			\$4.40	
4	11325042000030	Gas Valve	1			\$16.30	
5	11325042000015	Liquid Valve	1			\$28.89	
6	11221502000434	Chassis assembly	1			\$43.18	
6.1	11321014000127	Chassis	1			/	
6.2	11321023000012	Right Foot	1			/	
6.3	11321023000012	Left Foot	1			/	
6.4	14731005000024	Screw Bolt	1			/	
7	11223003000214	Compressor assembly	1			\$302.52	
8	11320026000038	panel grille	1			\$20.30	
9	11321005000075	panel	1			\$38.57	
10	11320009000049	axial flow fan	1			\$24.30	
11	11321006000108	left side support plate	1			\$8.91	
12	11230005000002	Outdoor fan motor	1			\$85.26	
13	11321002000030	motor support	1			\$16.30	
14	11224004000969	Condenser assembly	1			\$170.58	
14.1	11224006000418	Condenser	1			\$170.58	
14.2	11225506001128	Capillary assembly	1			\$20.30	
15	11321009000033	Top cover assembly	1			\$24.30	
16	Optional	rear grille	1			\$20.30	
17	11225516000651	4-way valve tubing assembly	1			\$120.82	
17.1	11225509000038	4-way valve	1			\$120.82	

This information is to be used by qualified HVAC technicians only and is subject to revision without notice

KSIA009-H216-O - Parts List No. P5IA1602

DATE 16-03

KSIA009-H216-O - SPARE PARTS LIST

No.	Part Number	Part Name	Specifications	Stock No.	Qty.	Price	Remarks
17.2	11225504000454	suction pipe	1			/	
17.3	11225505000537	discharge pipe assembly	1			/	
18	11321025000048	partition board	1			\$10.42	
19	11330034000008	reactor	1			\$34.68	
20	11321015000034	E-parts bracket	1			\$4.40	
21	11320057000069	control box	1			/	
22	11329031000033	Radiator	1			/	
23	11330037000139	terminal board	1			\$6.71	
24	11329013000105	Sensor assembly	1			\$6.71	
25	11320058000057	control box cover	1			\$6.71	
26	11222031000590	Main control board	1			\$228.51	
27	11219005000166	Accessories	1			/	
27.1	14618079000002	putty	1			/	
28	11320022000016	plastic tie	1			/	

This information is to be used by qualified HVAC technicians only and is subject to revision without notice

KSIA009-H216-O - Parts List No. P5IA1602

DATE 16-03