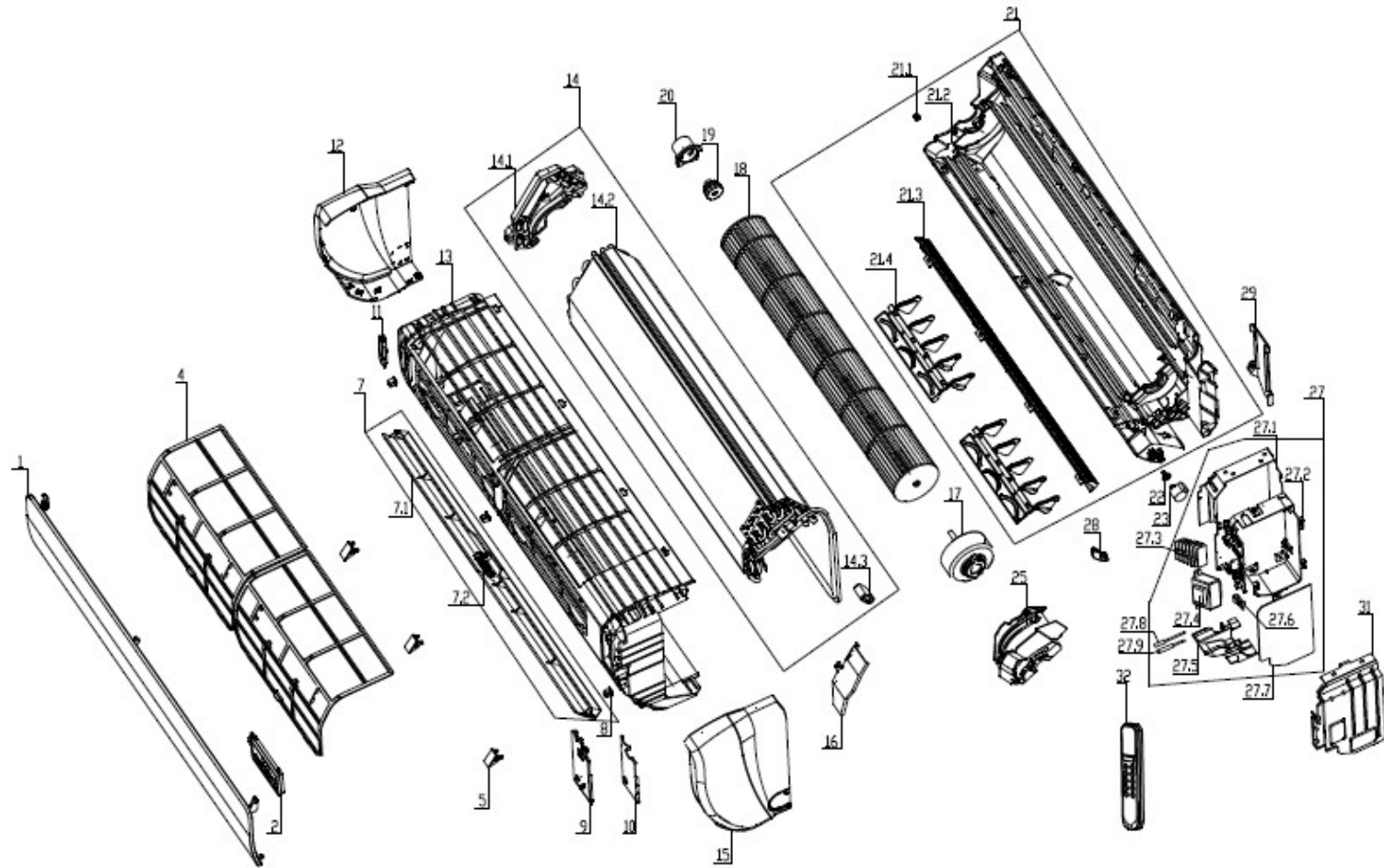


EXPLODED DIAGRAM — PARTS VIEW

Sales Model: KSIA012-H117-IW

Power Supply: 115 V-1ph-60 Hz



This information is to be used by qualified HVAC technicians only and is subject to revision without notice

KSIA012-H117-IW - Drawing No. D2IA1816

DATE 18-04

KSIA012-H117-IW — SPARE PARTS LIST

No.	Part Number	Description	Specifications	Stock No.	Qty.	Price	Remarks
1	11320003002266	Front panel			1	\$ 166.96	
2	11222014000521	Display board			1	\$ 89.29	
4	11220508000143	Filter			2	\$ 5.36	
5	11320096000055	Screw cover			3	\$ 2.68	
6	11320061000276	Decoration board			1	\$ 11.04	
7	11320005000247	Air louver (horizontal)			1	\$ 23.57	
7.1	11320080000007	Air louver			1	\$ 8.04	
8	11320106000008	Panel clasp			3	\$ 12.86	
9	11320076000063	Medium frame wiring cover			1	\$ 10.71	
11	11320043000032	Stand bar			1	\$ 5.36	
12	11320035000010	Left cover			1	\$ 8.04	
13	11320002000199	Medium frame			1	\$ 98.21	
14	11224003000577	Evaporator assembly			1	\$ 275.89	
14.1	11320015000113	Evaporator left side carriage			1	\$ 45.18	
14.2	11224009000200	Evaporator assembly			1	\$ 161.78	
14.2	11224009000199	Evaporator assembly			1	\$ 161.78	
14.3	11320101000018	Evaporator protecting bush			1	\$ 15.00	
15	11320036000010	Right cover			1	\$ 12.86	
16	11320065000028	Breakwater			1	\$ 13.39	
17	11230003000171	IDU fan motor			1	\$ 94.60	
18	11220513000068	Cross flow fan			1	\$ 23.57	
19	11220551000003	Bearing assembly			1	\$ 5.36	
20	11320062000028	Bearing fixed chassis			1	\$ 8.04	
21	11220500000166	Chassis assembly			1	\$ 167.41	

This information is to be used by qualified HVAC technicians only and is subject to revision without notice

KSIA012-H117-IW -Parts List No. P2IA1816

Above prices are subject to S&H charges

DATE 18-04

KSIA012-H117-IW — SPARE PARTS LIST

No.	Part Number	Description	Specifications	Stock No.	Qty.	Price	Remarks
21.1	11320079000010	Chassis shaft sleeve			1	\$ 17.14	
21.2	11320001000217	Chassis			1	\$ 98.21	
21.3	11320135000016	Air louver			1	\$ 5.36	
21.4	11320017000118	Left-right swing blade			2	\$ 10.71	
22	11320079000013	Step motor shaft sleeve			1	\$ 10.71	
23	11230002000058	Step motor			1	\$ 30.00	
24	11221526000003	Controller box metal plate			1	\$ 39.29	
25	11320052000032	Motor cover			1	\$ 13.39	
27	11222003002575	Main controller			1	\$ 266.33	
27.1	11321012000006	Controller box sheet-metal b			1	\$ 45.18	
27.2	11320057000089	Control box			1	\$ 47.14	
27.3	11330037000020	Terminal board			1	\$ 31.43	
27.7	11222009003201	Main control board			1	\$ 152.07	
27.8	11329013000103	Temperature sensor			1	\$ 7.08	
27.9	11329013000103	Temperature sensor			1	\$ 7.08	
28	11320010000037	Power wire cable clamp			1	\$ 23.57	
29	11320084000015	Pipe clamp			1	\$ 27.86	
30	11321003000028	Mounting plate assembly			1	\$ 45.18	
31	11321012000005	Controller box sheet-metal A			1	\$ 39.29	
32	11222001000112	Remote controller			1	\$ 36.54	
39	11333003000009	Water plug			1	\$ 12.86	

This information is to be used by qualified HVAC technicians only and is subject to revision without notice

KSIA012-H117-IW - Parts List No. P2IA1816

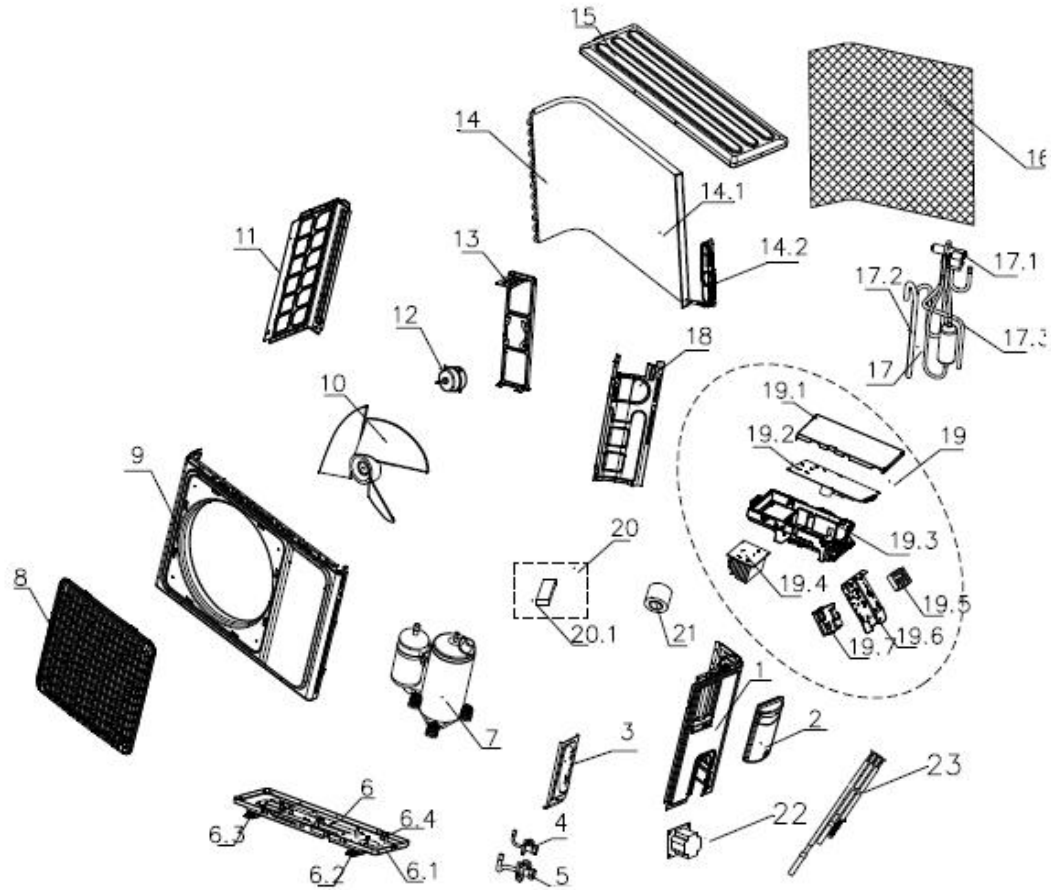
Above prices are subject to S&H charges

DATE 18-04

EXPLODED DIAGRAM — PARTS VIEW

Sales Model: KSIA012-H117-O

Power Supply: 115 V-1ph-60 Hz



This information is to be used by qualified HVAC technicians only and is subject to revision without notice

KSIA012-H117-O - Drawing No. D1IA1817

DATE 18-04

KSIA012-H117-O — SPARE PARTS LIST

No.	Part Number	Description	Specifications	Stock No.	Qty.	Price	Remarks
1	11321007000287	Right side board			1	\$41.80	
2	11321008000014	E-parts cover			1	\$9.60	
3	11321031000027	Valve plate			1	\$9.60	
4	11325042000030	Stop valve			1	\$27.72	
5	11225517000006	Stop valve			1	\$27.72	
6	11221502000434	Chassis base assembly			1	\$79.00	
6.1	11321014000144	Chassis base			1	\$63.20	
6.2	11321023000012	Right side board			2	\$15.36	
6.3	11321023000012	Left side board			2	\$15.36	
6.4	14731005000024	Screw			3	\$7.20	
7	11223003000310	Compressor and assembly			1	\$419.02	
8	11321022000241	Panel grille			1	\$41.80	
9	11321005000104	Panel			1	\$63.20	
10	11320009000049	Axial flow fan			1	\$41.80	
11	11321006000108	Left side board			1	\$31.24	
12	11230005000002	Motor			1	\$161.16	
13	11321002000039	Motor support			1	\$27.72	
14	11224004001252	Condenser assembly			1	\$303.36	
14.1	11224006000386	Condenser assembly			1	\$242.70	
14.2	11225506001353	Capillary assembly			1	\$34.76	
15	11321009000033	Top cover			1	\$52.14	
16	11332009000044	Paperboard			1	\$4.80	
17	11225516000916	4-way valve tubing assembly			1	\$52.14	
17.1	11325007000111	4-way valve			1	\$31.24	

This information is to be used by qualified HVAC technicians only and is subject to revision without notice

KSIA012-H117-O - Parts List No. P1IA1817

Above prices are subject to S&H charges

DATE 18-04

KSIA012-H117-O — SPARE PARTS LIST

No.	Part Number	Description	Specifications	Stock No.	Qty.	Price	Remarks
17.2	11225504000454	Suction pipe assembly			1	\$27.72	
17.3	11225505000537	Discharge pipe assembly			1	\$31.24	
18	11321025000048	Partition board			1	\$14.10	
19	11222004000519	Main controller			1	\$380.74	
19.1	11320058000057	Control box cover			1	\$27.72	
19.2	11222031000616	Main control board			1	\$314.26	
19.3	11320057000069	Control box			1	\$9.60	
19.4	11329031000052	Radiator			1	\$9.60	
19.5	11330037000139	Terminal board			1	\$4.80	
19.6	11321015000061	E-parts bracket			1	\$14.10	
20	11219005000166	Accessory bag			1	\$27.72	
20.1	14618079000002	Putty			1	\$4.80	
21	11320022000016	Belting			1	\$14.10	
23	11329013000105	Temperature sensor			1	\$7.80	

This information is to be used by qualified HVAC technicians only and is subject to revision without notice

KSIA012-H117-O - Parts List No. P1IA1817

Above prices are subject to S&H charges

DATE 18-04