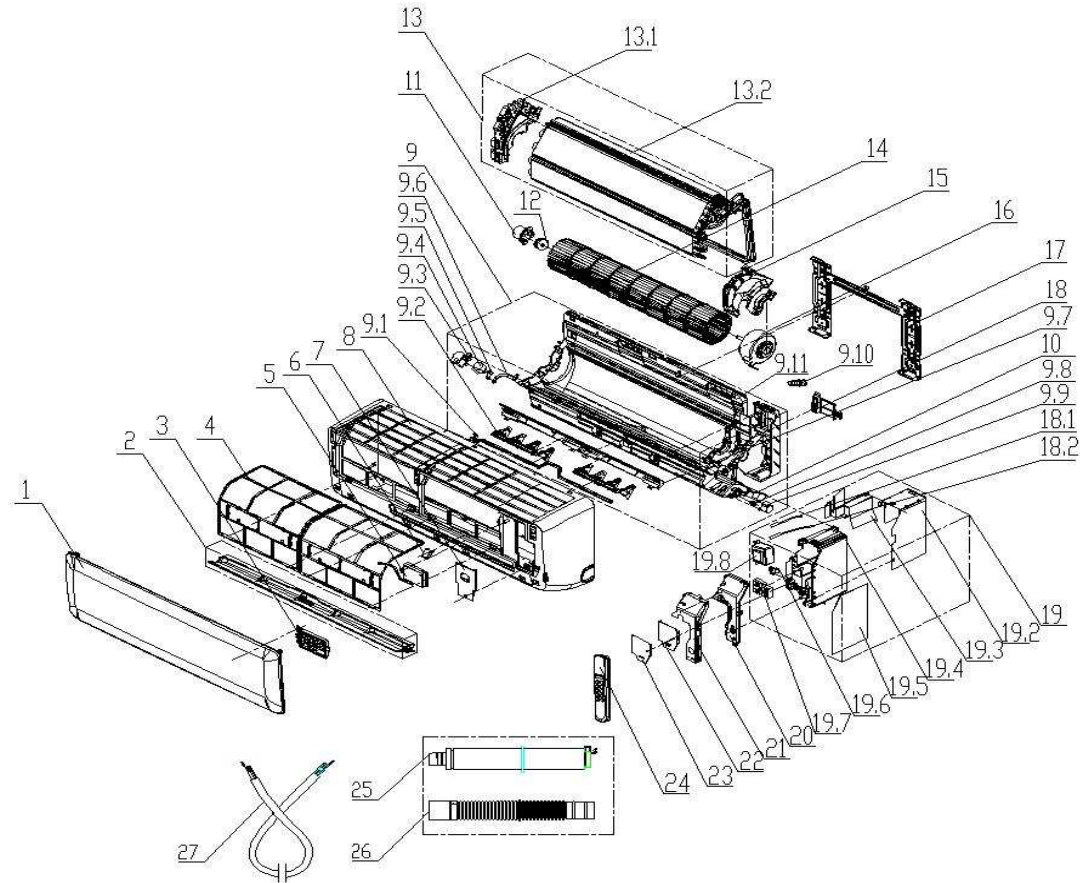


EXPLODED DIAGRAM — PARTS VIEW

Sales Model: KSIA009-H217-IW
Power Supply: 208-230V / 1ph / 60Hz



This information is to be used by qualified HVAC technicians only and is subject to revision without notice

KSIA009-H217-IW - Drawing No. D2IA1826

DATE 18-12

KSIA009-H217-IW — SPARE PARTS LIST

No.	Part Number	Description	Specifications	Stock No.	Qty.	Price	Remarks
1	11320003003100	Panel			1	\$95.00	
2	11320005000381	Air louver (horizontal)			1	\$6.00	
3	11222014000608	Display board			1	\$14.40	
4	11220508000139	Filter			2	\$13.50	
6	11320096000104	Screw cover			1	\$0.75	
7	11320076000084	Medium frame wiring cover			1	\$7.50	
8	11320002000305	Medium frame			1	\$70.00	
9	11220500000214	Chassis assembly			1	\$110.50	
9.2	11320017000124	Left-right swing blade			2	\$7.50	
9.7	11320135000018	Volute			1	\$21.60	
9.8	11320079000016	Step motor shaft sleeve			1	\$4.50	
9.9	11230002000086	Air louver step motor			1	\$19.20	
9.1	11333003000009	Stopples			1	\$3.00	
9.11	11320001000241	Chassis			1	\$93.50	
11	11320062000028	Bearing fixed chassis			1	\$3.45	
13	11224003000649	Evaporator assembly			1	\$195.00	
13.1	11320015000139	Evaporator left side carriage			1	\$14.40	
14	11220513000065	Cross flow fan			1	\$55.00	
15	11320052000044	Motor cover			1	\$9.00	
16	11230003000141	IDU fan motor			1	\$110.50	
17	11221500000034	Mounting plate assembly			1	\$14.40	
18	11320084000013	Pipe clamp			1	\$2.40	
19	11222003003216	Main controller			1	\$153.00	
19.1	11329013000103	Temperature sensor			1	\$19.20	

This information is to be used by qualified HVAC technicians only and is subject to revision without notice

KSIA009-H217-IW -Parts List No. P2IA1826

Above prices are subject to S&H charges

DATE 18-12

KSIA009-H217-IW — SPARE PARTS LIST

No.	Part Number	Description	Specifications	Stock No.	Qty.	Price	Remarks
19.2	11321020000033	Controller box sheet-metal a			1	\$24.00	
19.3	11321020000034	Controller box sheet-metal b			1	\$24.00	
19.4	11320057000082	Control box			1	\$26.40	
19.5	11222009003799	Main control board			1	\$119.00	
19.7	11330037000184	Terminal board			1	\$12.00	
20	11320058000067	Control box cover			1	\$15.00	
21	11321020000035	Controller box metal plate			1	\$24.00	
22	11320111000005	Guard of electric control box			1	\$55.00	
23	11321020000036	Cover of electric control box			1	\$60.00	
24	11222001000112	Remote controller			1	\$88.00	
25	11220506000002	Discharging tube assembly			1	\$9.00	
26	11320020000008	Drain-pipe			1	\$9.00	
27	11330021000980	Power cable			1	\$65.00	

This information is to be used by qualified HVAC technicians only and is subject to revision without notice

KSIA009-H217-IW -Parts List No. P2IA1826

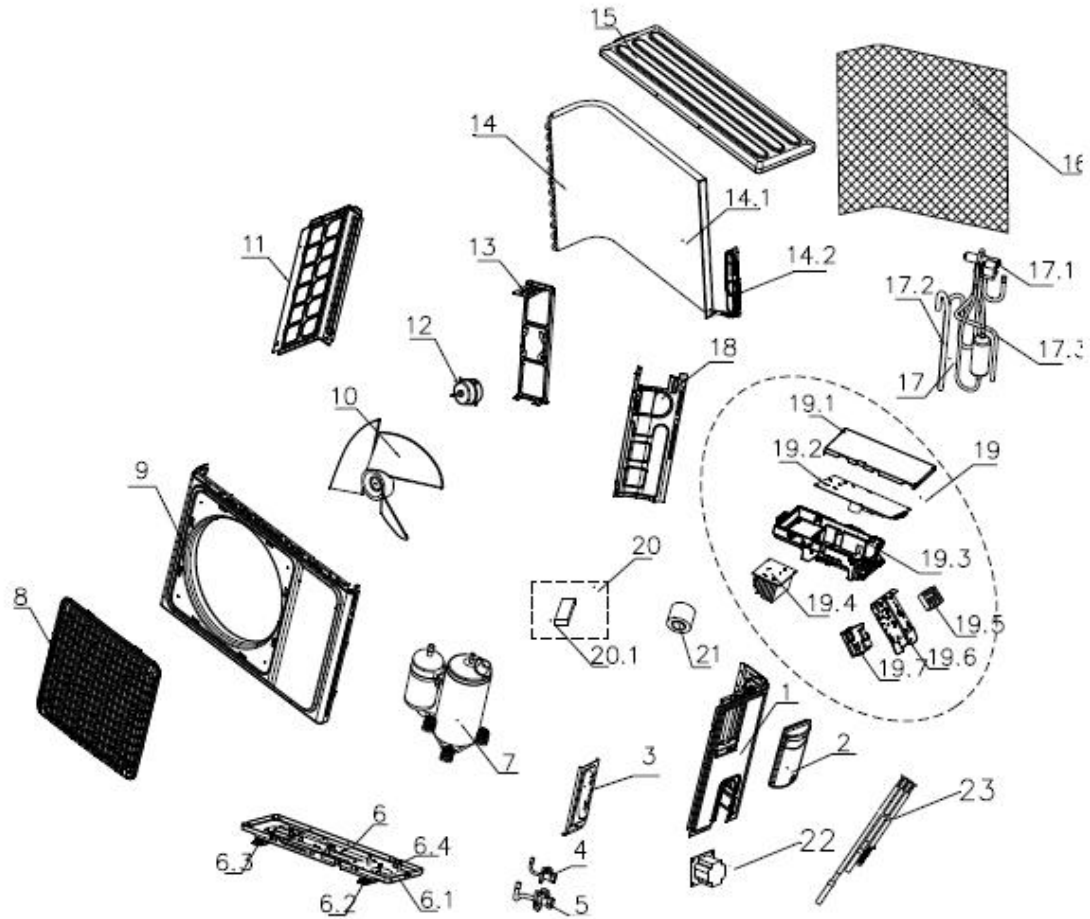
Above prices are subject to S&H charges

DATE 18-12

EXPLODED DIAGRAM — PARTS VIEW

Sales Model: KSIA009-H217-O

Power Supply: 208-230V / 1ph / 60Hz



This information is to be use

IA009-H217-O - Drawing No. D2IA1827

DATE 18-12

KSIA009-H217-O — SPARE PARTS LIST

No.	Part Number	Description	Specifications	Stock No.	Qty.	Price	Remarks
1	11321007000287	Right side board			1	\$33.00	
2	11321008000014	E-parts cover			1	\$24.00	
3	11321031000027	Valve plate			1	\$12.00	
4	11325042000030	Stop valve			1	\$33.00	
5	11325042000015	Stop valve			1	\$33.00	
6	11221502000434	Chassis assembly			1	\$70.00	
6.1	11321014000144	Chassis			1	\$80.00	
6.2	11321023000012	Footing			2	\$24.00	
6.4	14731005000042	Pump bolt			3	\$10.50	
7	11223003000271	Compressor assembly			1	\$416.50	
8	11321022000241	Panel grille			1	\$35.20	
9	11321005000115	Panel			1	\$80.00	
10	11320009000049	Axial flow fan			1	\$38.50	
11	11321006000108	Left side board			1	\$30.80	
12	11230005000002	Motor			1	\$119.00	
13	11321002000039	Motor support			1	\$28.60	
14	11224004000969	Condenser assembly			1	\$187.50	
14.1	11224006000467	Condenser assembly			1	\$65.00	
14.2	11225506001801	Capillary assembly			1	\$38.50	
15	11321009000033	Top cover			1	\$15.00	
16	11332009000044	Paperboard			1	\$24.00	
17	11225516000651	4-way valve tubing assembly			1	\$60.00	
17.1	11325007000100	4-way valve			1	\$110.50	
17.2	11225504000454	Suction pipe assembly			1	\$41.80	

This information is to be used by qualified HVAC technicians only and is subject to revision without notice

KSIA009-H217-O -Parts List No. P2IA1827

Above prices are subject to S&H charges

DATE 18-12

KSIA009-H217-O — SPARE PARTS LIST

No.	Part Number	Description	Specifications	Stock No.	Qty.	Price	Remarks
17.3	11225505000537	Discharge pipe assembly			1	\$30.80	
18	11321025000048	Partition board			1	\$24.00	
19	11222004000485	Main controller			1	\$336.00	
19.1	11320058000057	Control box cover			1	\$44.00	
19.2	11222031000590	Main control board			1	\$172.50	
19.3	11320057000069	Control box			1	\$55.00	
19.4	11329031000054	Radiator			1	\$44.00	
19.5	11330037000157	Terminal board			1	\$13.50	
19.6	11321015000061	E-parts bracket			1	\$28.60	
20	11219005000166	Assembly bag			1	\$13.50	
20.1	14618079000002	Putty			1	\$4.50	
21	11320022000016	Belt			1	\$10.50	
22	11330034000023	Reactor			1	\$24.00	
23	11329013000105	Temperature sensor			1	\$24.00	

This information is to be used by qualified HVAC technicians only and is subject to revision without notice

KSIA009-H217-O -Parts List No. P2IA1827

Above prices are subject to S&H charges

DATE 18-12