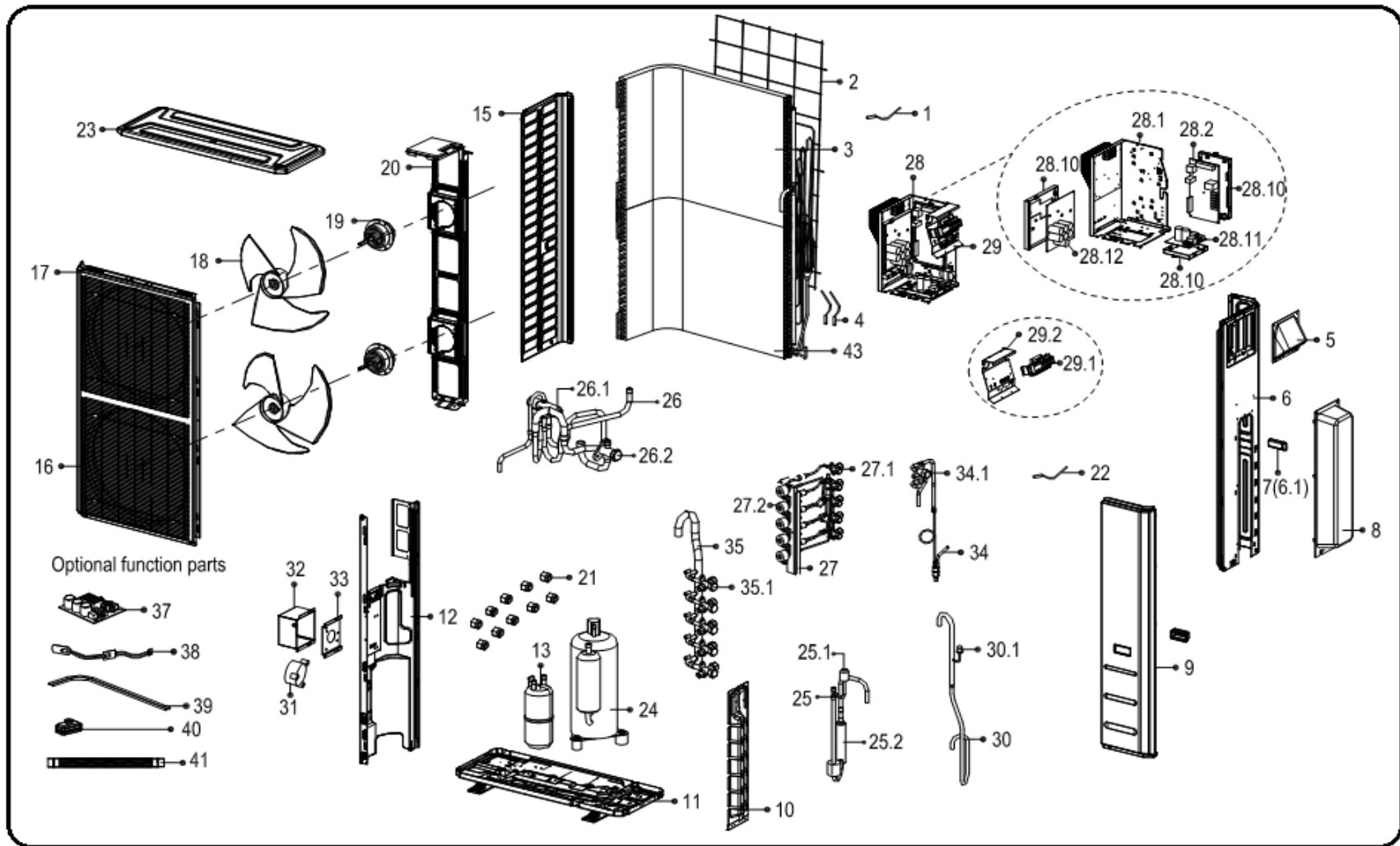


EXPLODED DIAGRAM - PARTS VIEW

Sale Model: KMIR545-H219
Power Supply: 208-230V~ 60Hz 1ph



This information is to be used by qualified HVAC technicians only and is subject to revision without notice

KMIR545-H219 - Drawing No. D5IR1604

DATE 16-06

KMIR545-H219 - SPARE PARTS LIST

No.	Part Number	Part Name	Specifications	Stock No.	Qty.	Price	Remarks
1	11201007000039	Ambient temperature sensor assembly			1	\$ 3.74	
2	12222000007944	Rear net			1	\$ 56.44	
3	15822200001056	Condenser assembly			1	\$ 245.32	
4	11201007000006	Pipe temperature sensor assembly			1	\$ 5.50	
4	11201007000142	Pipe temperature sensor assembly			1	\$ 27.46	
5	12222300000039	Big Handle assembly			1	\$ 9.79	
6	12222000007125	Rear right clapboard assembly			1	\$ 78.40	
8	12122000014341	Water collector			1	\$ 10.20	
9	12222000006287	Front clapboard assembly			1	\$ 75.74	
10	12222000006744	Valve plate			1	\$ 17.00	
11	12222000006290	Chassis			1	\$ 107.80	
12	12222000005733	Partition board assembly			1	\$ 58.48	
13	15500508000009	Accumulator cylinder			1	\$ 85.61	
15	12222200002363	Left side plate assembly of cabinet			1	\$ 61.20	
16	12222000007904	Air outlet grille			2	\$ 103.19	
17	12222000007564	Front panel			1	\$ 122.36	
18	12100105000022	Axial flow fan			2	\$ 90.27	
19	11002015002241	Fan motor			2	\$ 316.20	ZKFN-85-8-22
20	12222000006288	Supporter assembly of fan motor			1	\$ 72.31	
21	15500406000010	Copper nut			3	\$ 10.89	
21	15500406000012	Copper nut			5	\$ 4.73	
21	15500406000016	Copper nut			5	\$ 2.20	

This information is to be used by qualified HVAC technicians only and is subject to revision without notice

KMIR545-H219 - Drawing No. D51R1604

Above prices are subject to S&H charges

DATE 16-06

KMIR545-H219 - SPARE PARTS LIST

No.	Part Number	Part Name	Specifications	Stock No.	Qty.	Price	Remark
22	11201007000138	Discharge temperature sensor assembly			1	\$ 5.94	
23	12222200002359	Top cover assembly			1	\$ 53.55	
24	11103020000619	Compressor			1	\$ 621.50	ATQ360D1UMU
25	15122000013594	Discharge pipe assembly			1	\$ 56.10	
25.1	17400516000020	Pressure switch			1	\$ 25.27	
25.2	15500506000012	Muffler			1	\$ 17.20	
26	15422000007214	4-way valve assembly			1	\$ 225.00	
26.1	15500216000681	4-way valve			1	\$ 137.13	STF-03BN1
26.2	15500204000049	Gas valve			1	\$ 52.02	
27	15422000007213	Liquid valve assembly			1	\$ 252.12	
27.1	15500208000028	Liquid valve			5	\$ 13.00	GYF-A28N
27.2	15500213000565	Electronic expansion valve			5	\$ 86.10	
28	17222300001269	Electronic control box assembly			1	\$ 970.97	
28.1	12222000006289	Installation plate of electric parts			1	\$ 42.94	
28.2	17122300001572	Main control board assembly			1	\$ 229.80	
28.1	12122000014182	Installation box of electric parts			1	\$ 11.40	
28.1	12122000014342	Installation box of electric parts			1	\$ 12.20	
28.1	12122000014343	Installation box of electric parts			1	\$ 12.20	
28.11	17122000021908	Main control board assembly			1	\$ 219.33	
28.12	17122500001774	Main control board assembly			1	\$ 475.93	
29	17222300001268	Electronic control box assembly			1	\$ 105.42	
29.1	17400401000082	Wire joint			1	\$ 14.90	
29.1	17400401000084	Wire joint			1	\$ 194.00	
29.1	17400401000135	Wire joint			1	\$ 13.60	

This information is to be used by qualified HVAC technicians only and is subject to revision without notice

KMIR545-H219 - Drawing No. D51R1604

Above prices are subject to S&H charges

DATE 16-06

KMIR545-H219 - SPARE PARTS LIST

No.	Part Number	Part Name	Specifications	Stock No.	Qty.	Price	Remark
29.2	12222300000288	Wire joint			1	\$ 8.25	
30	15122000013597	Suction pipe assembly			1	\$ 43.86	
30.1	17400516000008	Pressure switch			1	\$ 23.85	
31	11201101000002	Reactor			1	\$ 203.22	
32	12222000006284	Cover of inductance			1	\$ 16.40	
33	12222000006286	Installation base of inductance			1	\$ 4.07	
34	15422000007212	Liquid valve assembly			1	\$ 44.20	
34.1	15500208000047	Liquid valve			1	\$ 23.80	
35	15422000007215	4-way valve assembly			1	\$ 121.26	
35.1	15500204000021	Gas valve			3	\$ 62.40	
35.1	15500204000058	Gas valve			2	\$ 48.20	
38	17402001000003	Crankcase electric heater			1	\$ 24.04	
39	17402002000043	Electric heater of chassis			1	\$ 80.24	
41	12100509000059	Drain pipe			1	\$ 3.19	
43	15822200001058	Condenser assembly			1	\$ 269.00	

This information is to be used by qualified HVAC technicians only and is subject to revision without notice

KMIR545-H219 - Drawing No. D5IR1604

Above prices are subject to S&H charges

DATE 16-06