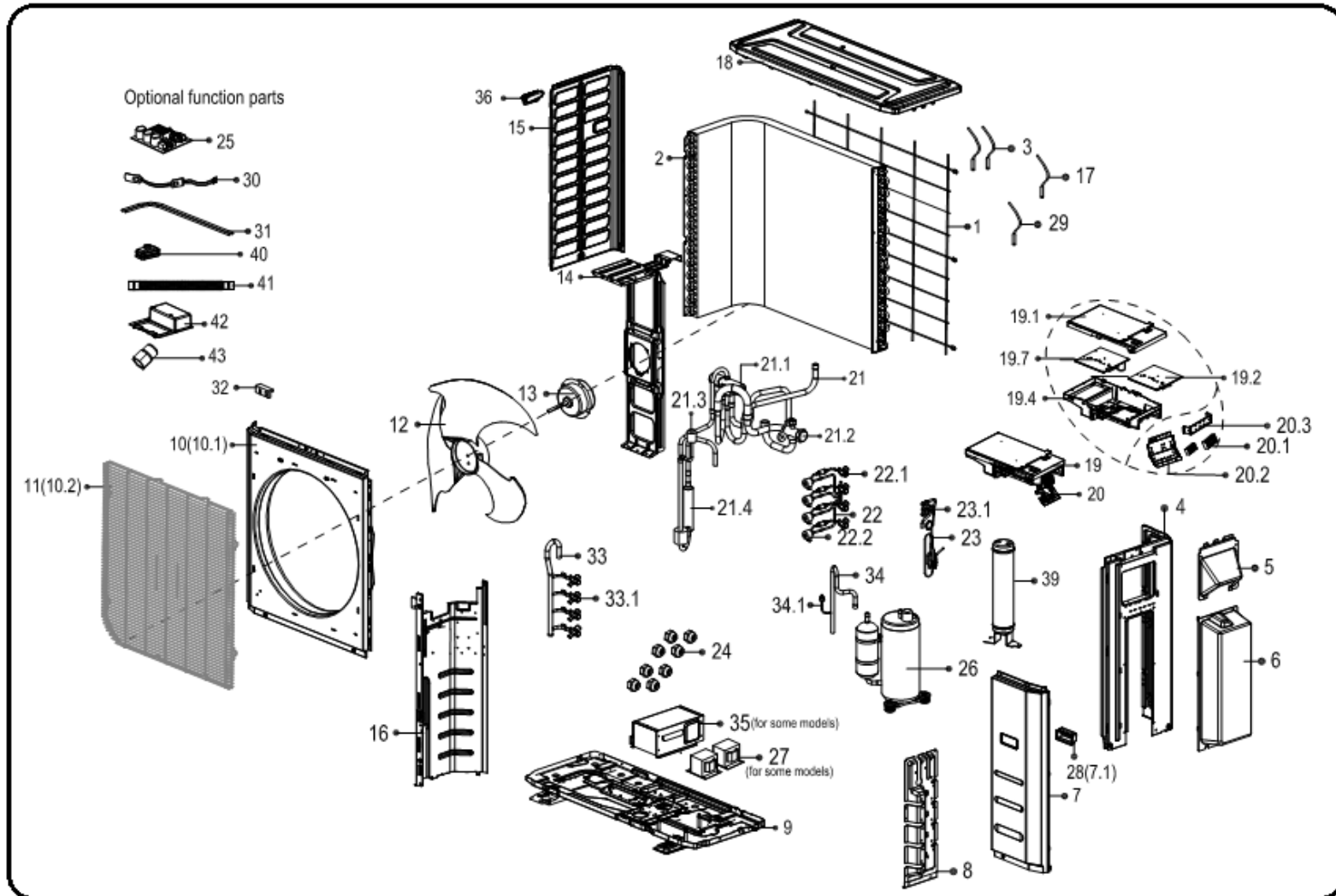


EXPLODED DIAGRAM - PARTS VIEW

Sale Model: KMIR436-H217
Power Supply: 208-230V~ 60Hz 1ph



This information is to be used by qualified HVAC technicians only and is subject to revision without notice

KMIR436-H217 - Drawing No. D5IR1603

DATE 16-06

KMIR436-H217 - SPARE PARTS LIST

No.	Part Number	Part Name	Specifications	Stock No.	Qty.	Price	Remarks
1	12222000006604	Rear net			1	\$ 26.13	
2	15822200000807	Condenser assembly			1	\$ 301.44	
3	11201007000006	Pipe temperature sensor assembly			1	\$ 5.50	
3	11201007000007	Pipe temperature sensor assembly			1	\$ 7.48	
4	12222300000510	Rear right clapboard assembly			1	\$ 50.15	
5	12222300000529	Big handle			1	\$ 6.82	
6	12122300000110	Water collector			1	\$ 23.70	
7	12222500A00135	Front right clapboard assembly			1	\$ 42.84	
8	12222000005282	Valve plate			1	\$ 15.80	
9	12222000005267	Chassis assembly			1	\$ 80.15	
10	12222000A01431	Front panel			1	\$ 101.22	
11	12222000007904	Air outlet grille			1	\$ 51.60	
12	12100105000084	Axial flow fan			1	\$ 43.35	ZL-560*139*12-3KN
13	11002015000247	Brushless DC motor			1	\$ 151.14	ZKFN-120-8-2
14	12222000005162	Supporter assembly of fan motor			1	\$ 44.75	
15	12222000006665	Left side plate assembly of cabinet			1	\$ 37.62	
16	12222200001158	Partition board assembly			1	\$ 27.17	
17	11201007000039	Ambient temperature sensor assembly			1	\$ 3.74	
18	12222500000587	Top cover assembly			1	\$ 56.95	
19	17222300000791	Electronic control box assembly			1	\$ 537.74	
19.1	12122200002719	Cover of electronic control box			1	\$ 46.84	
19.2	17122300001154	Outdoor main control board assembly			1	\$ 230.46	

This information is to be used by qualified HVAC technicians only and is subject to revision without notice

KMIR436-H217 - Drawing No. D51R1603

Above prices are subject to S&H charges

DATE 16-06

KMIR436-H217 - SPARE PARTS LIST

No.	Part Number	Part Name	Specifications	Stock No.	Qty.	Price	Remark
19.4	12122200002715	Electronic installing box			1	\$ 30.02	
19.7	17122500001174	Inverter control board assembly			1	\$ 389.66	
20	17222300000790	Terminal board assembly			1	\$ 79.14	
20.1	17400401000084	Wire joint			1	\$ 19.40	
20.1	17400401000135	Wire joint			1	\$ 13.60	
20.2	12222300000033	Terminal board			1	\$ 4.29	
20.3	12222300000032	Terminal board			1	\$ 1.87	
21	15422300000347	4-ways valve assembly			1	\$ 136.36	
21.1	15500216000361	4-ways valve			1	\$ 77.10	
21.2	15500204000049	Gas valve			1	\$ 52.02	DYF-D-19-19N1
21.3	17400516000020	Pressure switch			1	\$ 25.27	
21.4	15500506000007	Muffler			1	\$ 19.90	
22	15422300000364	liquid valve assembly			1	\$ 226.08	
22.1	15500208000028	Liquid valve			1	\$ 13.00	
22.2	15500213000046	Electronic expansion valve assembly			1	\$ 89.46	
23	15422300000346	liquid valve assembly			1	\$ 34.68	
23.1	15500208000047	Liquid valve			1	\$ 23.80	
24	15500406000010	Copper nut			1	\$ 3.63	
24	15500406000012	Copper nut			1	\$ 4.73	
24	15500406000016	Copper nut			1	\$ 2.20	
26	11103020000439	Compressor			1	\$ 481.50	ATF310D43UMT
29	11201007000157	Discharge temperature sensor assembly			1	\$ 7.37	
30	17402002000043	Electric heater of chassis			1	\$ 80.24	
31	17402001000119	Crankcase electric heater			1	\$ 23.70	

This information is to be used by qualified HVAC technicians only and is subject to revision without notice

KMIR436-H217 - Drawing No. D51R1603

Above prices are subject to S&H charges

DATE 16-06

KMIR436-H217 - SPARE PARTS LIST

No.	Part Number	Part Name	Specifications	Stock No.	Qty.	Price	Remark
33	15422300000365	Gas valve assembly			2	\$ 218.82	
33.1	15500204000021	Gas valve			1	\$ 20.80	DYF-A28N
33.1	15500204000058	Gas valve			1	\$ 24.10	DYF-B29N
34	15122300001024	Suction pipe assembly			1	\$ 41.52	
34.1	17400516000024	Pressure switch			1	\$ 22.80	YK-0.3/0.14-O-800
39	15500508000315	Accumulator cylinder			1	\$ 66.05	ZYT-12
41	12100509000059	Drain pipe			1	\$ 3.19	
43	15500307000001	Transfer connecter			1	\$ 11.20	
99	17401203000909	Compressor wire assembly			2	\$ 20.40	

This information is to be used by qualified HVAC technicians only and is subject to revision without notice

KMIR436-H217 - Drawing No. D51R1603

Above prices are subject to S&H charges

DATE 16-06