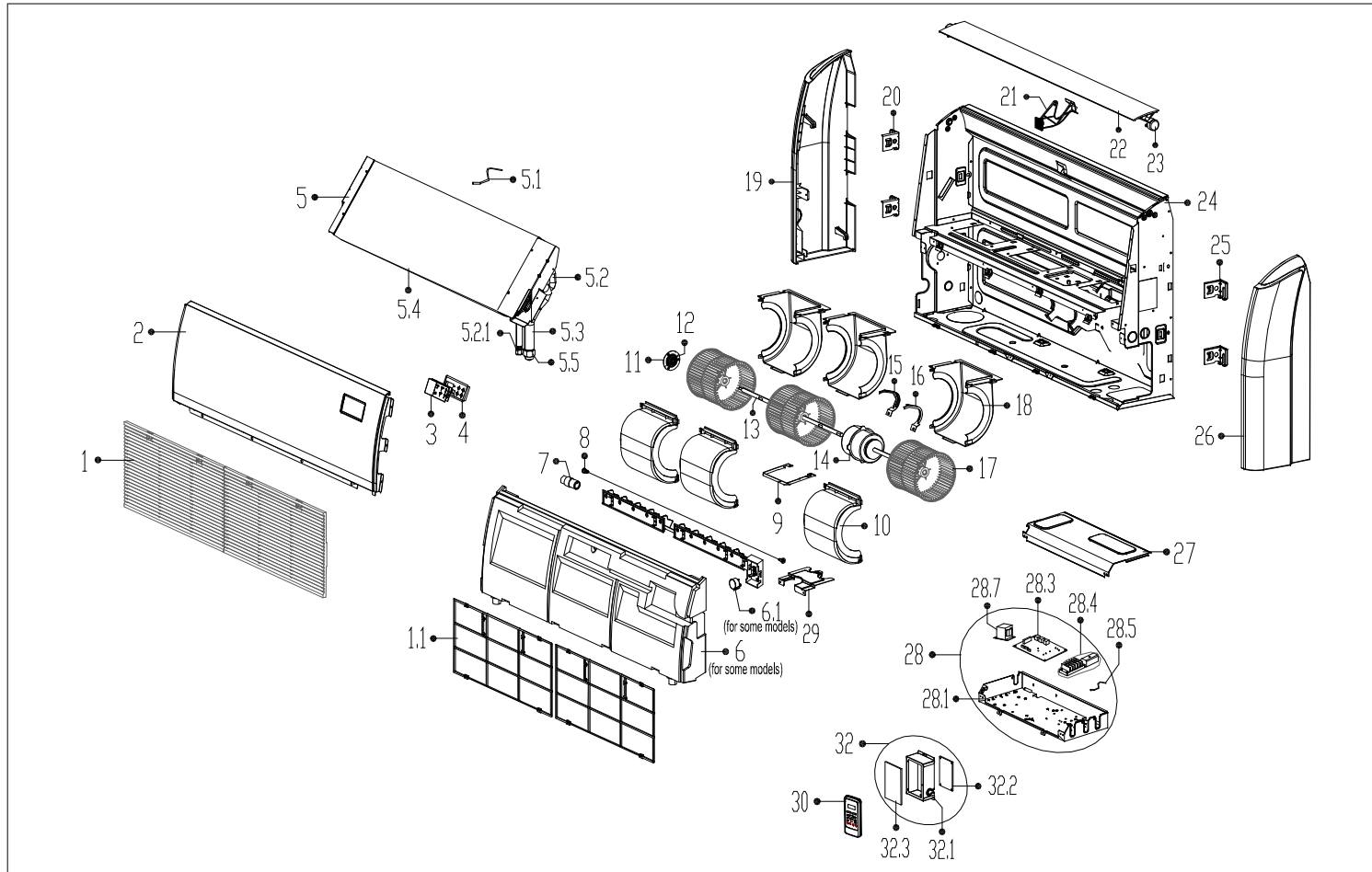


EXPLODED DIAGRAM - PARTS VIEW

Sales Model: KFUF036-H2G1

Power Supply: 208-230V/1ph/60Hz



This information is to be used by qualified HVAC technicians only and is subject to revision without notice

KFUF036-H2G1 - Drawing No. D2UF1606

Date 16-06

KFUF036-H2G1 - SPARE PARTS LIST

No.	Part Number	Part Name	Specifications	Stock No.	Qty.	Price	Remarks
1	12122700000096	Air inlet grille assembly I			2	\$13.90	
1.1	12100204000718	Air filter			1	\$6.05	
2	12222700000094	Top cover assembly			1	\$51.43	
3	17122700000005	Display board assembly			1	\$19.00	
4	12122700000044	Display installation box			1	\$0.33	
5	15822700A00004	Evaporator assembly			1	\$204.93	
5.1	11201007000006	Pipe temperature sensor assembly			1	\$5.17	
5.1	11201007000266	Pipe temperature sensor assembly			1	\$6.82	
5.2	15122700000338	Input pipe assembly			1	\$43.01	
5.2.1	15500406000010	Copper nut			1	\$3.63	TLM-B02
5.3	15122700000198	Output pipe assembly			1	\$41.14	
5.4	15822700000210	Evaporator			1	\$206.15	
6	12822700000011	Water collector			1	\$110.11	
6.1	11002010000546	Louver motor (vertical)			1	\$17.70	SM-35-17-12-46
7	12923000000004	Coupling			1	\$22.30	
8	12122000000344	Insulated axis			2	\$0.11	
9	12222300000230	Fan motor fixing board			1	\$2.31	
10	12122700000049	Volute shell (above)			3	\$10.30	
11	12222000003769	Bearing fixing board			1	\$0.66	
12	12622000000013	Bearing base			1	\$0.99	
13	12922700000004	Connecting shaft			1	\$24.20	
14	11002015000297	Asynchronous motor			1	\$163.56	ZKFN-115-8-1
15	12222500000255	Fan motor axes clamp (right)			1	\$0.77	
16	12222500000253	Fan motor axes clamp (left)			1	\$0.77	
17	12100103000165	Plastic fan			3	\$24.51	LX-154*162*12-41J

This information is to be used by qualified HVAC technicians only and is subject to revision without notice

KFUF036-H2G1 - Parts List No. P2UF1606

Above prices are subject to S&H charges

Date 16-06

KFUF036-H2G1 - SPARE PARTS LIST

No.	Part Number	Part Name	Specifications	Stock No.	Qty.	Price	Remarks
18	12122700000113	Volute shell (below)			3	\$12.80	
19	12122700000087	Right cover			1	\$13.80	
20	12222700000018	Right hook			2	\$2.20	
21	12122700000150	Supporter of louver			1	\$1.10	
22	12122700000058	Louver			1	\$37.53	
23	11002010000057	Louver motor			1	\$36.58	SM-35-17-12-22
24	12222700000226	Chassis assembly			1	\$146.82	
25	12222700000016	Left hook			2	\$2.09	
26	12122700000093	Left cover			1	\$13.90	
27	12222700000058	Cover of electronic control box			1	\$12.80	
28	17222700A01431	Electronic control box assembly			1	\$193.86	
28.1	12222700000083	Electronic control box			1	\$16.00	
28.3	17122700000387	Main control board assembly			1	\$153.60	
28.4	17400401000006	Wire joint			1	\$8.80	
28.4	17400401000094	Wire joint			1	\$5.83	
28.5	11201007000073	Ambient temperature sensor assembly			1	\$3.30	
29	12222700000054	Pipe clamp board			1	\$1.87	
30	17317000A29040	Remote controller			1	\$36.39	RG57A4/BGEFU1
32	17222700000162	Electronic control box assembly			1	\$134.61	
32.1	12223000000052	Electronic control box			1	\$3.96	
32.2	17122000008498	Inverter control board assembly			1	\$124.67	
32.3	11203803000154	Radiator			1	\$18.50	

This information is to be used by qualified HVAC technicians only and is subject to revision without notice

KFUF036-H2G1 - Parts List No. P2UF1606

Above prices are subject to S&H charges

Date 16-06