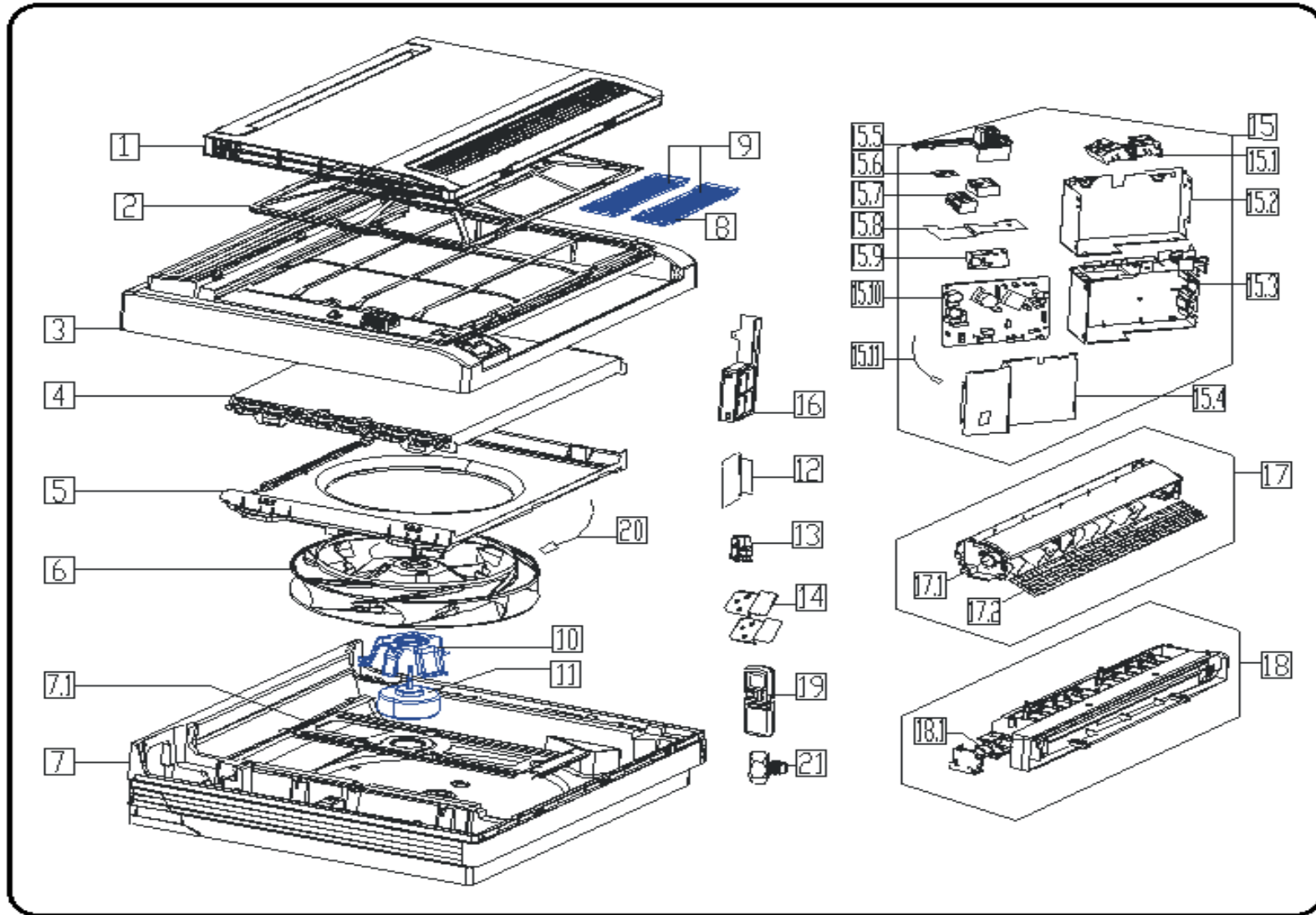


EXPLODED DIAGRAM - PARTS VIEW

Model : KFIM012-H2
 Power Supply : 208-230V~ 60Hz 1Phase

M43A



This information is to be used by qualify AC technicians only

KFIM1216- Drawing No. D2IF16121301

Above information subject to revision without notice

DATE 13-01

SPARE PART LIST

Item No.	Part No.	Part Name	Specifications	Stock No.	Qty	Price	Remarks
1	201144090001	Panel assembly		M43A0001	1	\$ 50.41	
2	201144090002	Air filter		M43A0002	1	\$ 40.76	
3	201144090022	Panel frame assembly		M43A0022	1	\$ 74.13	
4	201552290013	Evaporator assembly		M43A0013	1	\$ 233.28	
5	201144090030	Ventilation assembly		M43A0030	1	\$ 43.46	
6	201100100020	Centrifugal fan		M43A0020	1	\$ 137.43	
7	201144090016	Chassis assembly		M43A0016	1	\$ 211.34	
7.1	201244090009	Hang board assembly		M43A0009	1	\$ 24.51	
8	201132200713	Bracket of air filter		M43A0713	2	\$ 3.14	
9	201131410703	Air cleaner		M43A0703	2	\$ 3.14	
10	201244090005	Supporter assembly of fan motor		M43A0005	1	\$ 6.27	
11	202400300014	Fan motor		M43A0014	1	\$ 233.28	
12	201144090005	Insulation washer		M43A0005	1	\$ 3.14	
13	201144090011	Pipe clamp		M43A0011	1	\$ 3.14	
14	201244290015	Installation clamp		M43A0015	2	\$ 3.14	
15	203344090011	Electronic control box assembly		M43A0011	1	\$ 228.51	
15.1	201144090009	Installation plate of electric parts I		M43A0009	1	\$ 3.14	
15.2	201244090003	Fixing board of electronic control box II		M43A0003	1	\$ 9.41	
15.3	201144090010	Electrical control box		M43A0010	1	\$ 17.25	
15.4	201244090004	Fixing board of electronic control box I		M43A0004	1	\$ 6.27	
15.5	201144090008	Installation plate of electric parts		M43A0008	1	\$ 3.14	
15.6	201344090004	Dial code board assembly		M43A0004	1	\$ 29.93	

This information is to be used by qualify technicians only

KFIM1216- Part list No. P2IF16121301

Above prices, numbers, specifications subject to revision without notice

Drawing No. D2IF16121301

Above prices are subject S & H charges

DATE 13-01

SPARE PART LIST

Item No.	Part No.	Part Name	Specifications	Stock No.	Qty	Price	Remarks
15.7	202301420101	Wire joint		M43A0101	1	\$ 9.41	
15.8	201244090002	Electronic control box seal plate		M43A0002	1	\$ 3.14	
15.9	201344090003	Display board assembly		M43A0003	1	\$ 22.95	
15.10	201344090020	Main control board assembly		M43A0020	1	\$ 142.65	
15.11	202301300195	Ambient temperature sensor assembly		M43A0195	1	\$ 6.27	
16	201244090001	Cover of electronic control box		M43A0001	1	\$ 3.14	
17	201144090042	Air outlet assembly		M43A0042	1	\$ 53.55	
17.1	202400200053	Louver motor		M43A0053	1	\$ 20.10	
17.2	201244090008	Rear net		M43A0008	1	\$ 6.27	
18	201144090044	Water collector		M43A0044	1	\$ -	
18.1	202400200052	Louver motor		M43A0052	1	\$ 20.10	
19	203355091534	Remote controller		M43A1534	1	\$ 63.24	
20	202301310085	Pipe temperature sensor assembly		M43A0085	1	\$ 6.27	
21	201650290241	Transfer connector		M43A0241	1	\$ 20.10	

This information is to be used by qualify technicians only

KFIM1216- Part list No. P2IF16121301

Above prices, numbers, specifications subject to revision without notice

Drawing No. D2IF16121301

Above prices are subject S & H charges

DATE 13-01