

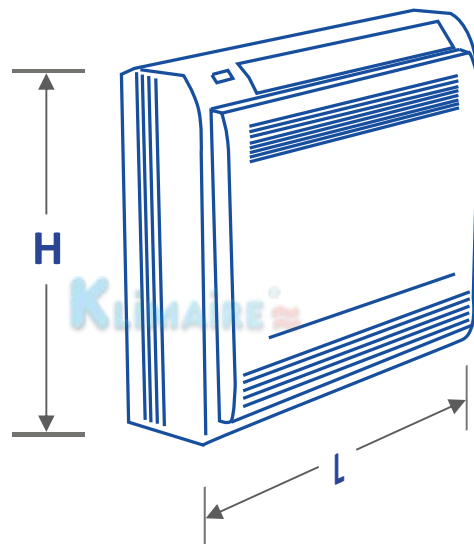
# GENERAL SPECIFICATIONS



## Light Commercial Series

### KFIM Indoor Units

Indoor Unit		
Klimaïre Model No.		KFIM012-H2
Power supply	V-ph-Hz	208~230-1-60
Cooling	Capacity	Btu/h 12.000
	SEER	17,6
Heating	Capacity	Btu/h 12.000
	HSPF	10
Indoor fan motor	Qty	1
	Input	W 28
	Capacitor	uF /
	Speed(Hi/Med/Lo)	rpm 890/840/780/680/530
Indoor unit	Dimension (W x Dx H)	in 27"-9/16 x 23"-5/8 x 8"-1/4
	Packing (W x Dx H)	in 31"-29/32 x 27"-31/32 x 12"
	Net/Gross weight	lb 33 / 44
Design pressure	psig	340
Drainage water pipe dia.	in	OD $\Phi$ 5/8
Refrigerant piping	Liquid side/ Gas side	in 1/4" / 1/2"
Controller		RG05F2/BGEU1
Operation temperature	Cooling	°F ?63
	Heating	°F ?86



Remarks: 1. The above design and specifications are subject to change without prior notice for product improvement.  
 2. The values given in the table for the noise level reflect the levels in anechoic chamber.