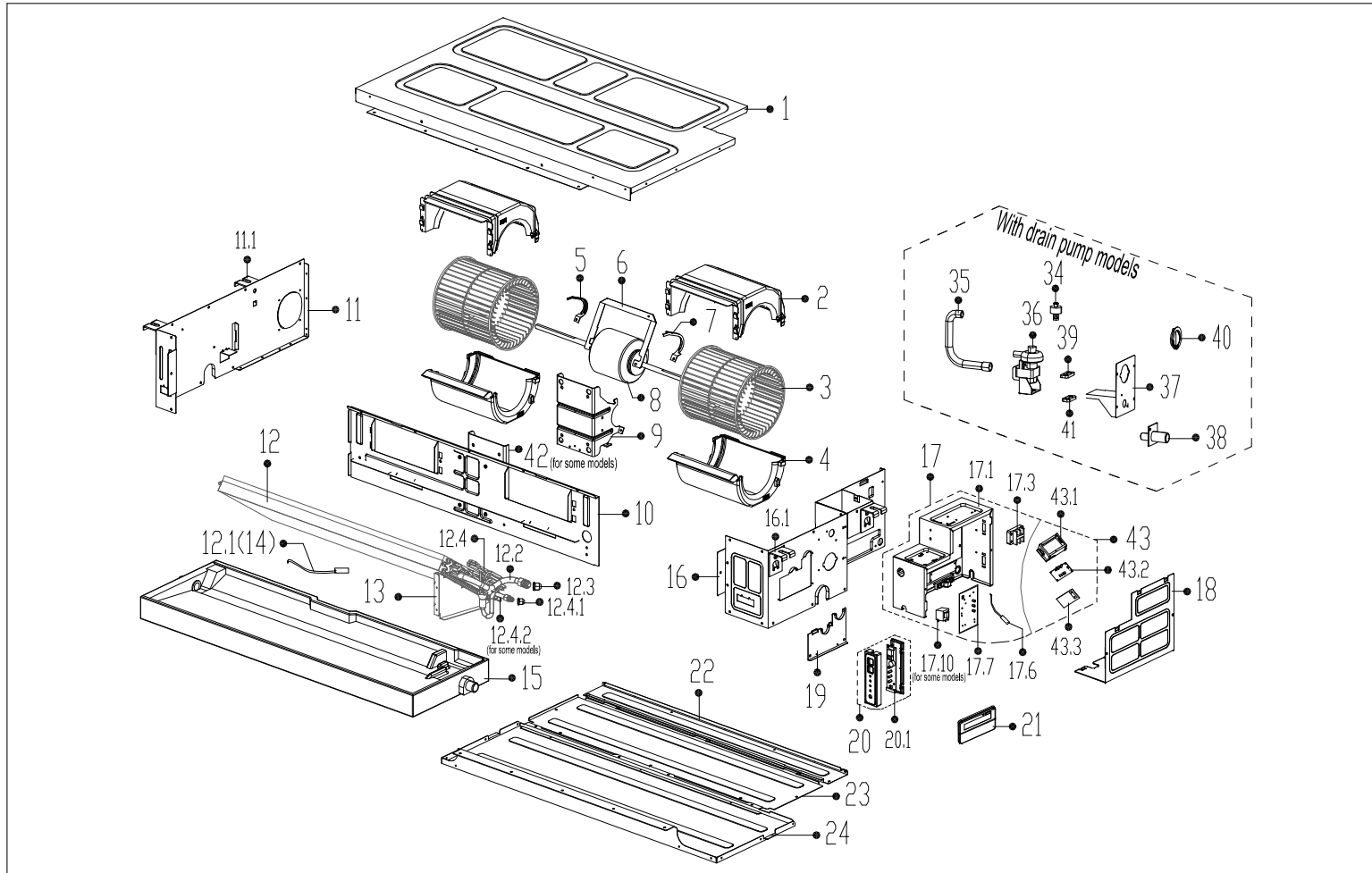


EXPLODED DIAGRAM - PARTS VIEW

Sale Model: KDIR18-H2 | 62230-14500205

Power Supply: 208-230V~ 60Hz 1Phase



This information is to be used by qualified HVAC technicians only and is subject to revision without notice

KDIR18-H2 - Drawing No. D2DR1605

DATE 16-06

KDIR18-H2 - SPARE PARTS LIST

No.	Part Number	Part Name	Specifications	Stock No.	Qty.	Price	Remarks
1	12223000000515	Chassis assembly			1	\$82.79	
2	12123000000027	Up volute shell			2	\$10.80	
3	12100103000078	Centrifugal fan			2	\$36.29	
4	12123000000023	Below volute shell			2	\$10.40	
5	12222500000253	Fan motor axes clamp (left)			1	\$0.88	
6	12223000000537	Fan motor fixing board			1	\$3.08	
7	12222500000255	Fan motor axes clamp (right)			1	\$0.88	
8	11002015000344	Asynchronous motor			1	\$232.68	ZKFN-90-8-1
9	12223000000559	Supporter of fan motor			1	\$17.30	
10	12223000000234	Middle beam assembly			1	\$38.29	
11	12223000000117	Left clapboard assembly			1	\$35.82	
12	15823000000124	Evaporator assembly			1	\$237.12	
12.1	11201007000136	Pipe temperature sensor assembly			1	\$5.94	
12.2	15123000000300	Output pipe assembly			1	\$30.78	
12.3	15500406000012	Copper nut			1	\$5.72	
12.4	15123000000399	Input pipe assembly			1	\$38.29	
12.4.1	15500406000016	Copper nut			1	\$2.64	
13	12223000000290	Evaporator right support board assembly			1	\$6.82	
15	12823000000001	Water collector			1	\$87.71	
16	12223000000077	Right clapboard assembly			1	\$43.51	
17	17223000003436	Electronic control box assembly			1	\$206.01	
17.1	12223000000045	Electronic control box			1	\$24.42	
17.3	17400401000006	Wire joint			1	\$10.20	
17.6	11201007000143	Ambient temperature sensor assembly			1	\$4.51	

This information is to be used by qualified HVAC technicians only and is subject to revision without notice

KDIR18-H2 - Parts List No. P2DR1605

Above prices are subject to S&H charges

DATE 16-06

KDIR18-H2 - SPARE PARTS LIST

No.	Part Number	Part Name	Specifications	Stock No.	Qty.	Price	Remarks
17.7	17123000000155	Main control board assembly			1	\$192.66	
17.1	17400306000070	Reactor			1	\$55.42	R05094A
18	12223000000059	Cover of electronic control box			1	\$2.20	
19	122230000000524	Pipe clamp board assembly			1	\$2.42	
20	172230000000003	Display box assembly			1	\$31.45	
20.1	171230000000096	Display board assembly			1	\$26.89	
21	173171000000022	Wired controller			1	\$81.20	
22	122230000000266	Rear beam			1	\$13.10	
23	122230000000214	Rear cover assembly			1	\$22.99	
24	122230000000199	Top cover assembly			1	\$45.51	
43	172227000000162	Electronic control box assembly			1	\$147.24	
43.1	122230000000052	Electronic control box			1	\$5.06	
43.2	171220000008498	Inverter control board assembly			1	\$128.22	
43.3	112038030000154	Radiator			1	\$23.50	
50	17317000A11464	Remoted controller			1	\$43.13	
51	121170000000089	Bracket of remote Controller			1	\$0.88	
52	12223000A00644	Flange assembly			1	\$21.40	
53	12100204A00163	Air filter			1	\$66.64	

This information is to be used by qualified HVAC technicians only and is subject to revision without notice

KDIR18-H2 - Parts List No. P2DR1605

Above prices are subject to S&H charges

DATE 16-06