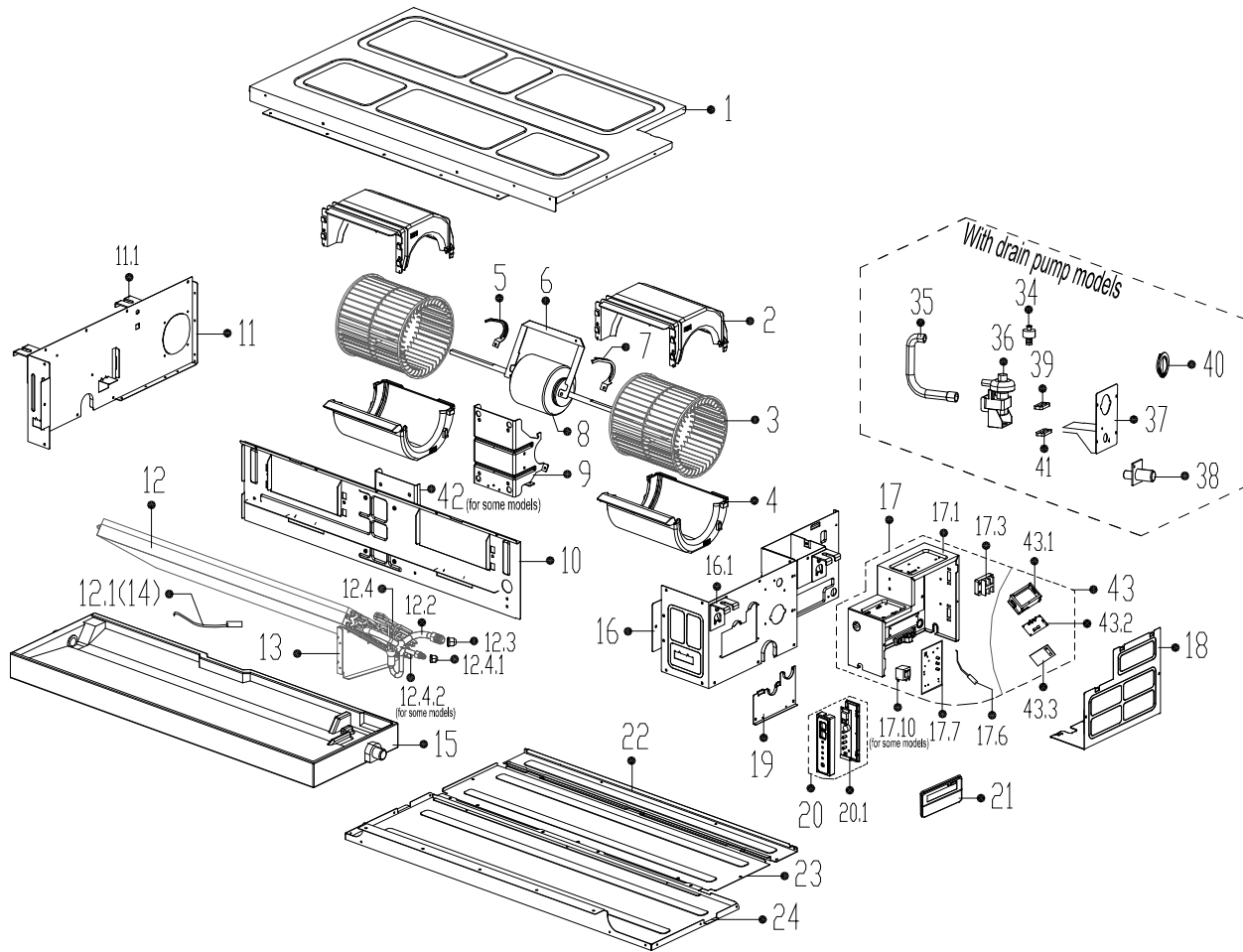


# EXPLODED DIAGRAM - PARTS VIEW

**Sales Model:** KDIR12-H2 | 62230-23827810

**Power Supply:** 208-230V~ / 1 ph / 60Hz



This information is to be used by qualified HVAC technicians only and is subject to revision without notice

KDIR12-H2 - Drawing No. D2DR1604

DATE 16-06

## KDIR12-H2 - SPARE PARTS LIST

No.	Part Number	Part Name	Specifications	Stock No.	Qty.	Price	Remarks
1	12223000A00124	Chassis assembly			1	\$57.29	
2	12123000000026	Up volute shell			2	\$8.36	
3	12100103000077	Centrifugal fan			2	\$24.20	LX-140*150*12-41J
4	12123000000021	Below volute shell			2	\$7.92	
5	12222500000253	Fan motor axes clamp (left)			1	\$0.77	
6	12223000009087	Fan motor fixing board			1	\$1.98	
7	12222500000255	Fan motor axes clamp (right)			1	\$0.77	
8	11002015000043	Asynchronous motor			1	\$161.28	ZKFN-55-8-1
9	12223000000567	Supporter of fan motor			1	\$10.23	
10	12223000000232	Middle beam assembly			1	\$20.40	
11	12223000A00049	Left clapboard assembly			1	\$32.78	
12	15823000A01003	Evaporator assembly			1	\$140.70	
12.2	15123000000274	Output pipe assembly			1	\$22.30	
12.4	15123000000334	Input pipe assembly			1	\$34.68	
12.4.1	15500406000016	Copper nut			1	\$2.20	TLM-A01
13	12223000000290	Evaporator right support board assembly			1	\$5.94	
14	11201007000136	Pipe temperature sensor assembly			1	\$4.62	
15	12823000000003	Water collector			1	\$77.01	
16	12223000000083	Right clapboard assembly			1	\$35.34	
17	17223000003438	Electronic control box assembly			1	\$175.32	
17.1	12223000000045	Electronic control box			1	\$20.10	
17.3	17400401000006	Wire joint			1	\$8.80	
17.6	11201007000143	Ambient temperature sensor assembly			1	\$3.52	
17.7	17123000000073	Main control board assembly			1	\$158.22	

This information is to be used by qualified HVAC technicians only and is subject to revision without notice

KDIR12-H2 - Parts List No. P2DR1604

Above prices are subject to S&H charges

DATE 16-06

## KDIR12-H2 - SPARE PARTS LIST

No.	Part Number	Part Name	Specifications	Stock No.	Qty.	Price	Remarks
18	12223000000059	Cover of electronic control box			1	\$1.76	
19	122230000000524	Pipe clamp board assembly			1	\$1.87	
20	172230000000003	Display box assembly			1	\$24.70	
20.1	171230000000096	Display board assembly			1	\$23.60	
21	173171000000022	Wired controller			1	\$77.35	KJR-12B/DP(T)-F-1
24	12223000A00056	Top cover assembly			1	\$28.88	
35	126230000000003	Drain pipe			1	\$16.80	
36	174008020000021	Drain pump			1	\$69.79	KFR-50Q/DY-A/ZT.DQ-2
37	122230000000571	Drain pump holder assembly			1	\$6.71	
38	121005100000021	Drain connecting pipe			1	\$1.21	
39	126225000000004	Drain pump rubber washer assembly			1	\$2.75	
40	121230000000043	Cover of water testing hole			1	\$0.44	
41	126225000000003	Drain pump rubber washer			1	\$0.33	
43	172227000000159	Electronic control box assembly			1	\$132.51	
43.1	122230000000052	Electronic control box			1	\$3.96	
43.2	171220000008562	Inverter control board assembly			1	\$122.43	
43.3	112038030000154	Radiator			1	\$18.50	
45	121230000000043	Water collector			1	\$0.44	
50	17317000A08839	Remoted controller			1	\$33.73	RG52F3/BGEFU1
51	121170000000089	Bracket of remote Controller			1	\$0.77	
52	12223000A00643	Flange assembly			1	\$10.78	
53	12100204A00155	Air filter			1	\$46.58	
56	121005090000059	Drain pipe			1	\$2.97	PJX1.3-1(L2000)
57	121005010000035	Drain Hose			1	\$4.40	

This information is to be used by qualified HVAC technicians only and is subject to revision without notice

KDIR12-H2 - Parts List No. P2DR1604

Above prices are subject to S&H charges

DATE 16-06