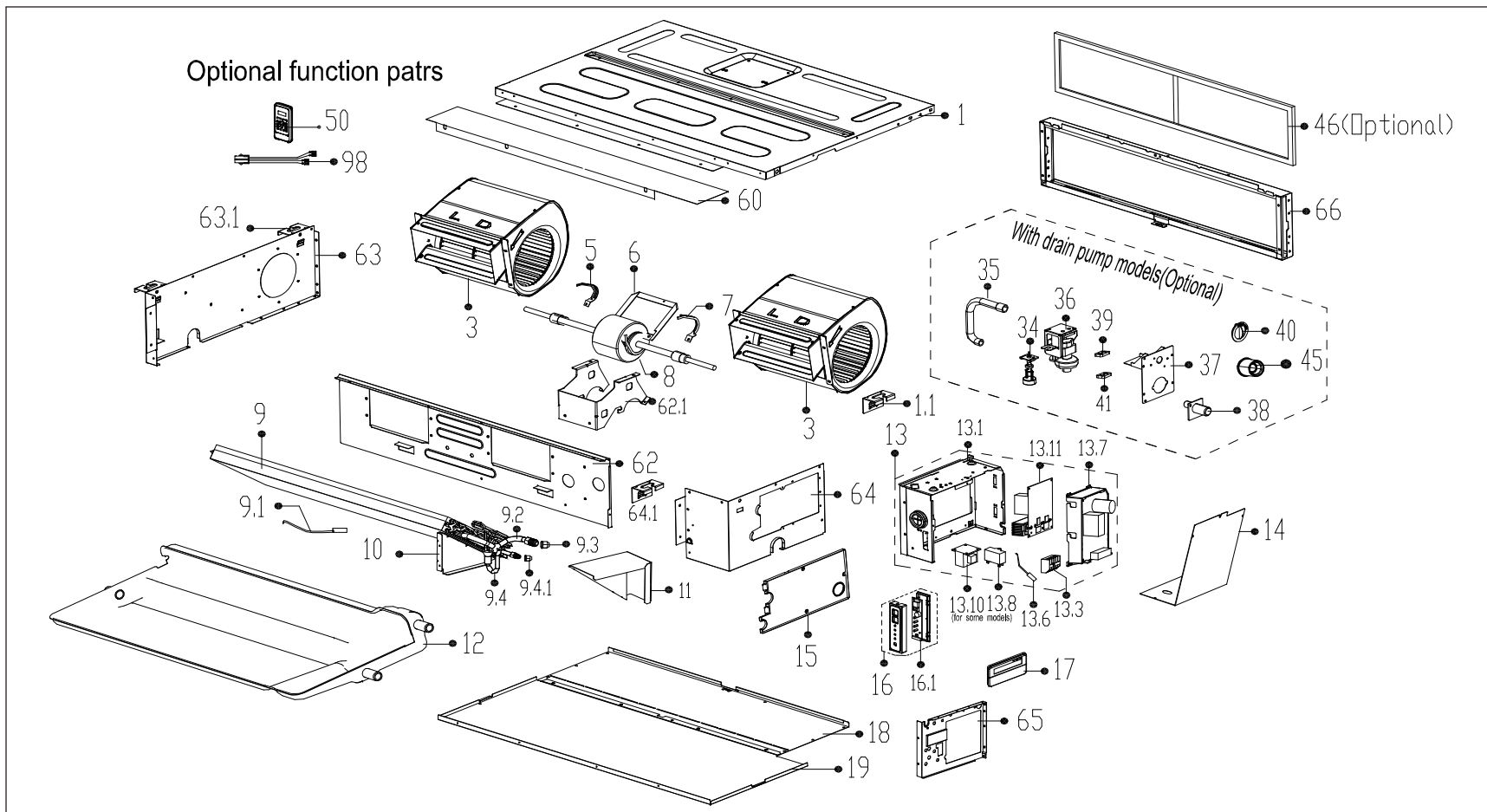


# EXPLODED DIAGRAM - PARTS VIEW

**Sale Model:** KDIP24-H2 | (62230-52237108)

**Power Supply:** 208-230V / 1ph / 60Hz



This information is to be used by qualified HVAC technicians only and is subject to revision without notice

KDIP18-H2 - Drawing No. D5DP180102

DATE 18-02

## KDIP24-H2 - SPARE PARTS LIST

| No.   | Part Number    | Description                             | Specifications | Stock No. | Qty. | Price    | Remarks            |
|-------|----------------|---|----------------|-----------|------|----------|--------------------|
| 1     | 12223000008889 | Chassis subassembly                     |                |           | 1    | \$183.68 |                    |
| 3     | 12200101000194 | Centrifuge fan assembly                 |                |           | 2    | \$187.28 | FLBJ-200*198*12-46 |
| 5     | 12222500000253 | Fan motor axes clamp (left)             |                |           | 1    | \$1.50   |                    |
| 6     | 12223000000537 | Fan motor fixing board                  |                |           | 1    | \$5.10   |                    |
| 7     | 12222500000255 | Fan motor axes clamp (right)            |                |           | 1    | \$1.50   |                    |
| 8     | 11002015002521 | Brushless DC Motor                      |                |           | 1    | \$270.39 | ZKFN-160-8-1-2     |
| 9     | 15823000A03640 | Evaporator Assembly                     |                |           | 1    | \$303.32 |                    |
| 9.1   | 11201007000136 | Pipe Temperature Sensor                 |                |           | 1    | \$8.85   |                    |
| 9.2   | 15123000008702 | Evaporator outlet pipe subassembly      |                |           | 1    | \$74.50  |                    |
| 9.3   | 15500406000003 | Copper nut                              |                |           | 1    | \$12.12  | TLM-D04            |
| 9.4   | 15123000009029 | Evaporator inlet pipe subassembly       |                |           | 1    | \$101.66 |                    |
| 10    | 12223000008851 | Evaporator right support board subassy  |                |           | 1    | \$21.36  |                    |
| 11    | 12223000008848 | Water collector subassembly             |                |           | 1    | \$18.84  |                    |
| 12    | 12223000008876 | Water collector assembly                |                |           | 1    | \$246.78 |                    |
| 13    | 17223000004417 | Duct electronic control box subassembly |                |           | 1    | \$311.82 |                    |
| 13.1  | 12223000006638 | Electronic control box                  |                |           | 1    | \$33.00  |                    |
| 13.3  | 17400401000075 | Terminal                                |                |           | 1    | \$14.10  | JXZ-PT5H-A         |
| 13.6  | 11201007000283 | Room Temperature Sensor                 |                |           | 1    | \$6.30   |                    |
| 13.7  | 17123000003474 | Duct main control board subassembly     |                |           | 1    | \$208.88 |                    |
| 13.1  | 17400306000070 | Reactor                                 |                |           | 1    | \$71.00  | R05094A            |
| 13.11 | 17122000030569 | Inverter module subassembly             |                |           | 1    | \$287.46 |                    |
| 14    | 12223000009109 | Electrical Control Box Cover Subassy    |                |           | 1    | \$19.20  |                    |
| 15    | 12223000A03149 | Pipe clamp board subassembly            |                |           | 1    | \$12.12  |                    |
| 16    | 17223000000003 | Duct display board subassembly          |                |           | 1    | \$41.91  |                    |

This information is to be used by qualified HVAC technicians only and is subject to revision without notice

KDIP24-H2 - Parts Lis No. P5DP180103

Above prices are subject to S&H charges

DATE 18-02

## KDIP24-H2 - SPARE PARTS LIST

| No.  | Part Number    | Description                    | Specifications | Stock No. | Qty. | Price    | Remarks              |
|------|----------------|--------------------------------|----------------|-----------|------|----------|----------------------|
| 16.1 | 17123000002712 | Duct display board subassembly |                |           | 1    | \$36.08  |                      |
| 17   | 17317100001195 | Wired controller               |                |           | 1    | \$193.13 | KJR-120C1/BTF-E(AU)  |
| 18   | 12223000008888 | Rear cover subassembly         |                |           | 1    | \$53.35  |                      |
| 19   | 12223000008887 | Top cover subassembly          |                |           | 1    | \$91.97  |                      |
| 35   | 12623000000003 | Pump pipe                      |                |           | 1    | \$26.04  |                      |
| 36   | 17400802000021 | Motor subassembly              |                |           | 1    | \$91.72  | KFR-50Q/DY-A/ZT.DQ-2 |
| 37   | 12223000A03150 | Exhaust pump subassembly       |                |           | 1    | \$14.88  |                      |
| 38   | 12100510000021 | Drain pipe                     |                |           | 1    | \$2.55   |                      |
| 39   | 12622500000004 | Drain pump rubber washer       |                |           | 1    | \$4.95   |                      |
| 41   | 12622500000003 | Drain pump rubber washer       |                |           | 1    | \$0.60   |                      |
| 45   | 12600801000543 | Rubber plug                    |                |           | 1    | \$7.65   |                      |
| 50   | 17317000A04396 | Remote controller              |                |           | 1    | \$52.47  | RG57B/BGEU1          |
| 51   | 12117000002114 | Bracket of remote Controller   |                |           | 1    | \$4.50   |                      |
| 60   | 12223000008890 | Front beam subassembly         |                |           | 1    | \$16.44  |                      |
| 62   | 12223000008875 | Middle beam subassembly        |                |           | 1    | \$88.49  |                      |
| 63   | 12223000008850 | Left clapboard subassembly     |                |           | 1    | \$91.50  |                      |
| 64   | 12223000008853 | Right clapboard subassembly    |                |           | 1    | \$51.60  |                      |
| 65   | 12223000008114 | Right side plate               |                |           | 1    | \$15.60  |                      |
| 66   | 12223000008109 | Right clapboard subassembly    |                |           | 1    | \$44.00  |                      |

This information is to be used by qualified HVAC technicians only and is subject to revision without notice

KDIP24-H2 - Parts Lis No. P5DP180103

Above prices are subject to S&H charges

DATE 18-02