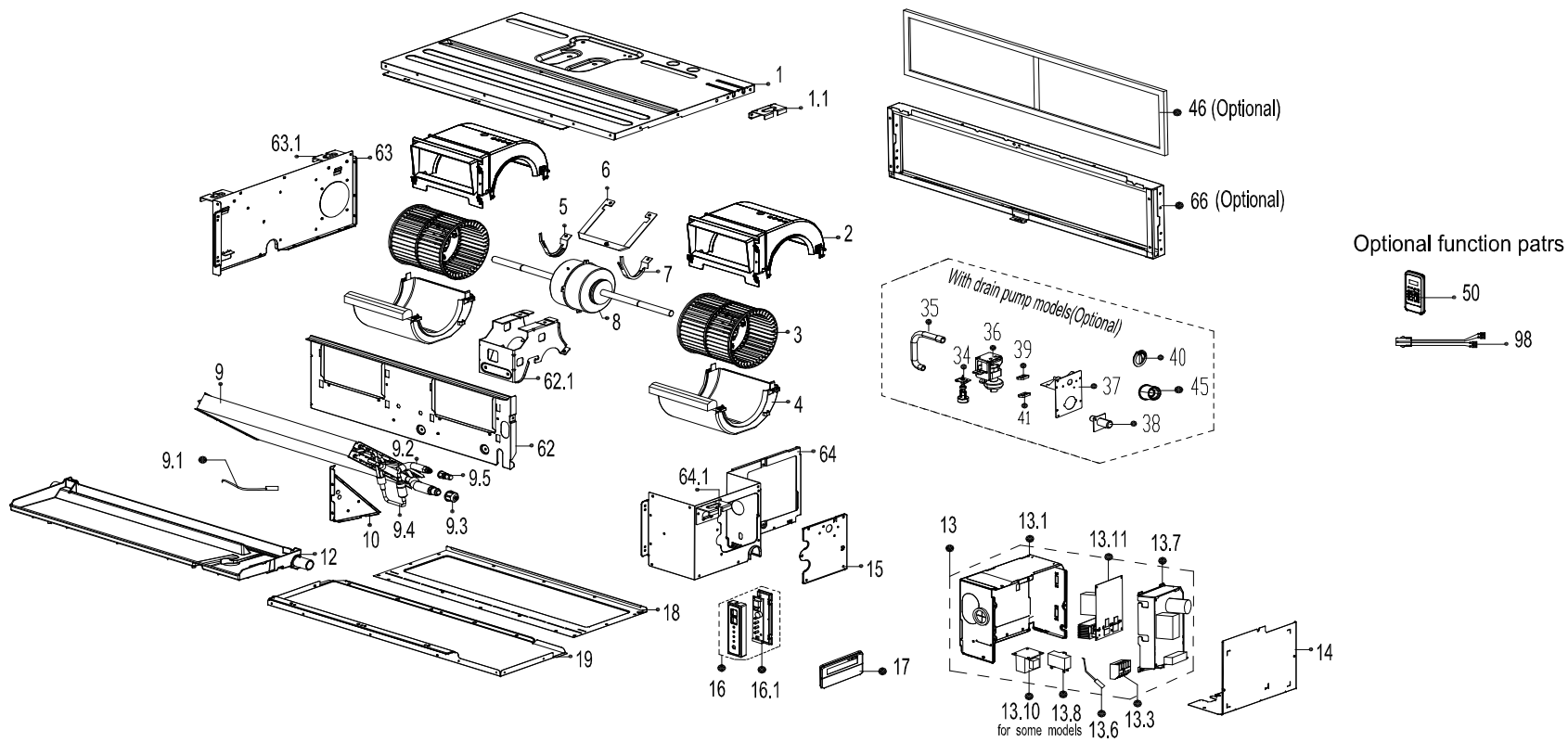


EXPLODED DIAGRAM - PARTS VIEW

Sales Model: KDIP12-H2 | (22023011003875)

Power Supply: 208-230V / 1ph / 60Hz



This information is to be used by qualified HVAC technicians only and is subject to revision without notice

KDIP12-H2 - Drawing No. D5DP180101

DATE 18-02

KDIP12-H2 - SPARE PARTS LIST

No.	Part Number	Description	Specifications	Stock No.	Qty.	Price	Remarks
1	12223000010324	Chassis subassembly			1	\$91.50	
1.1	12223000007208	Hook			1	\$4.35	
2	12123000001180	Top volute subassembly			2	\$21.72	
3	12100103000804	centrifuge fan			2	\$39.71	LX-154*158*15-41J
4	12123000001161	Bottom volute			2	\$19.32	
5	12222500000253	Fan motor axes clamp (left)			1	\$1.50	
6	12223000010427	Fan motor fixing board			1	\$7.05	
7	12222500000255	Fan motor axes clamp (right)			1	\$1.50	
8	11002015006981	Brushless DC Motor			1	\$352.50	ZKFN-55-8-22
9	15823000004183	Evaporator Assembly			1	\$270.84	
9.1	11201007000070	Pipe Temperature Sensor			1	\$7.80	
9.2	15123000010590	Evaporator outlet pipe subassembly			1	\$54.00	
9.3	15500404000009	Pipe Nut			1	\$2.10	
9.4	15123000010589	Evaporator inlet pipe subassembly			1	\$77.10	
9.5	15500209000001	Detection valve			1	\$3.30	JCF-01
10	12223000010316	Evaporator right support board subassy			1	\$9.30	
12	12123000001164	Water collector			1	\$77.00	
13	17223000005237	E-Parts Box assembly			1	\$293.17	
13.1	12223000010447	Electronic control box			1	\$34.87	
13.3	17400401000075	Terminal			1	\$13.32	JXZ-PT5H-A
13.6	11201007000283	Room Temperature Sensor			1	\$6.30	
13.7	17123000004314	Duct main control board subassembly			1	\$203.33	
13.1	17400306000070	Reactor			1	\$71.00	R05094A
13.11	17122000038512	Inverter module subassembly			1	\$252.48	
14	12223000010314	Cover of electronic control box			1	\$17.76	

This information is to be used by qualified HVAC technicians only and is subject to revision without notice

KDIP12-H2 - Parts Lis No. P5DP180101

Above prices are subject to S&H charges

DATE 18-02

KDIP12-H2 - SPARE PARTS LIST

No.	Part Number	Description	Specifications	Stock No.	Qty.	Price	Remark2
15	12223000010317	Pipe clamp board subassembly			1	\$9.15	
16	17223000000003	Duct display board subassembly			1	\$41.91	
16.1	17123000002712	Duct display board subassembly			1	\$36.08	
17	17317100001195	Wired controller			1	\$193.13	KJR-120C1/BTF-E(AU)
18	12223000010323	Rear cover subassembly			1	\$43.45	
19	12223000010326	Top cover subassembly			1	\$56.20	
62	12223000010325	Middle beam subassembly			1	\$73.50	
62.1	12223000010309	Fan motor support			1	\$48.18	
63	12223000010311	Left side plate assembly of cabinet			1	\$44.77	
63.1	12223000006628	Hook			2	\$5.25	
64	12223000010320	Right clapboard subassembly			1	\$47.63	
64.1	12223000006628	Hook			1	\$5.25	

This information is to be used by qualified HVAC technicians only and is subject to revision without notice

KDIP12-H2 - Parts Lis No. P5DP180101

Above prices are subject to S&H charges

DATE 18-02