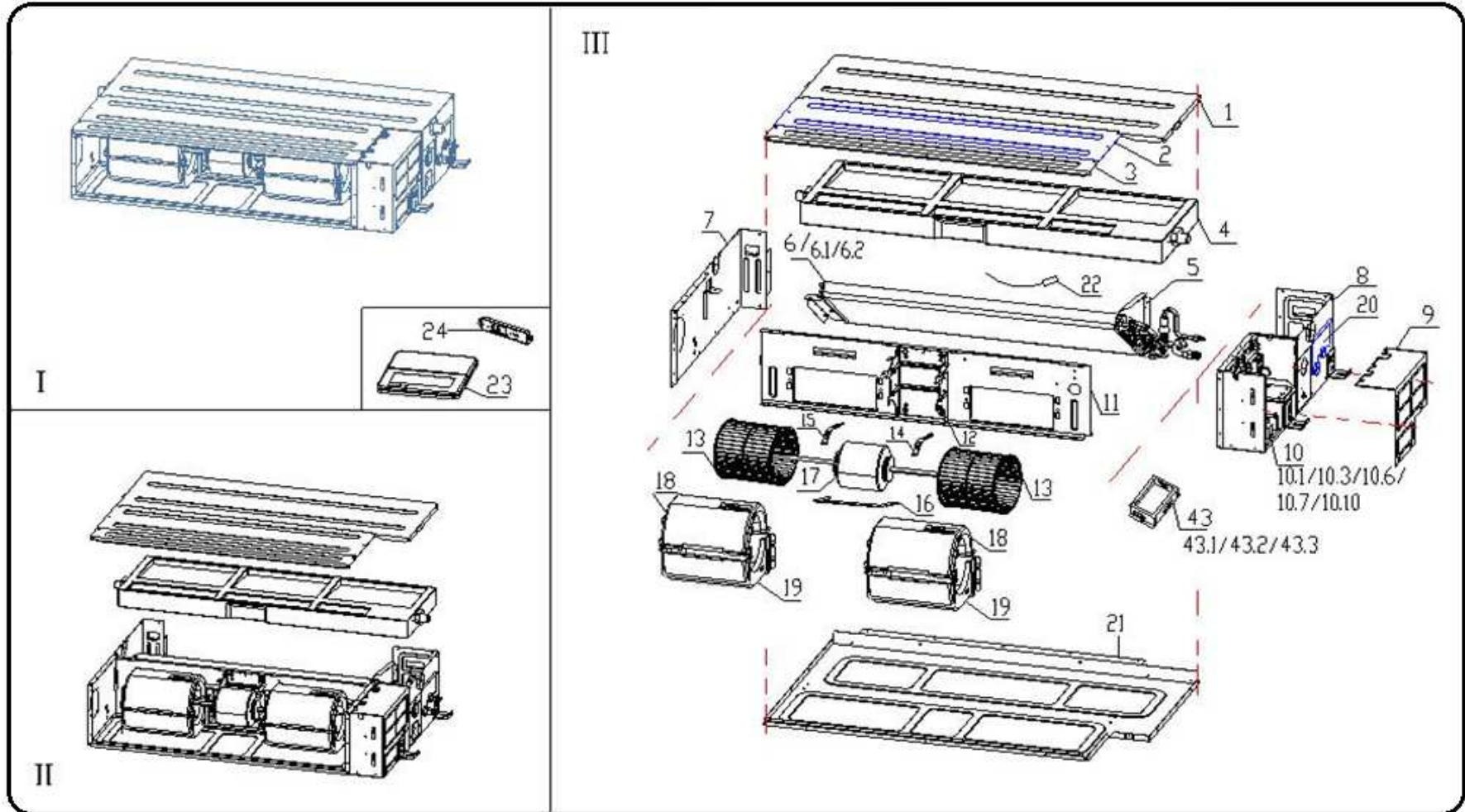


EXPLODED DIAGRAM - PARTS VIEW

Model : KDIM024-H2
 Power Supply : 208-230V~ 60Hz 1Phase

M46A



This information is to be used by qualify AC technicians only

KDIM1216- Drawing No. D2ID16241301

Above information subject to revision without notice

DATE 13-01

SPARE PART LIST

Item No.	Part No.	Part Name	Specifications	Stock No.	Qty	Price	Remarks
1	201270290078	Top cover assembly		M46A0078	1	\$ 43.46	
2	201270390385	Rear cover assembly		M46A0385	1	\$ 9.41	
3	201270390314	Rear beam		M46A0314	1	\$ -	
4	202270290004	Water collector		M46A0004	1	\$ 11.40	
5	201270390313	Evaporator right support board assembly		M46A0313	1	\$ 290.94	
6	201570390029	Evaporator assembly		M46A0029	1	\$ 6.27	
6.1	202440500004	Pipe temperature sensor assembly		M46A0004	1	\$ 82.75	
6.2	201670390130	Input pipe assembly		M46A0130	1	\$ 55.97	
7	201270390384	Left clapboard assembly		M46A0384	1	\$ 65.66	
8	201270390382	Right clapboard assembly		M46A0382	1	\$ 14.25	
9	201270590100	Cover of electronic control box		M46A0100	1	\$ -	
10	203370390079	Electronic control box assembly		M46A0079	1	\$ 40.76	
10.1	201270590113	Electronic control box		M46A0113	1	\$ -	
10.3	201370390069	Main control board assembly		M46A0069	1	\$ 6.27	
10.6	202301300195	Ambient temperature sensor assembly		M46A0195	1	\$ -	
10.7	202042590190	Wire joint		M46A0190	1	\$ 9.41	
10.7	202301420101	Wire joint		M46A0101	1	\$ 63.24	
11	201270390312	Middle beam assembly		M46A0312	1	\$ 24.51	
12	201270290100	Supporter of fan motor		M46A0100	1	\$ 68.21	
13	201100100033	Centrifugal fan		M46A0033	2	\$ 3.14	
14	201280200006	Fan motor axes clamp (right)		M46A0006	1	\$ 3.14	

This information is to be used by qualify technicians only

KDIM2416- Part list No. P2ID16241301

Above prices, numbers, specifications subject to revision without notice

Drawing No. D2IT16121301

Above prices are subject S & H charges

DATE 13-01

SPARE PART LIST

Item No.	Part No.	Part Name	Specifications	Stock No.	Qty	Price	Remarks
15	201280200005	Fan motor axes clamp (left)		M46A0005	1	\$ 6.27	
16	201270290101	Fan motor fixing board		M46A0101	1	\$ 247.46	
17	202400300070	Asynchronous motor		M46A0070	1	\$ 24.51	
18	201170590004	Up volute shell		M46A0004	2	\$ 20.10	
19	201170590003	Below volute shell		M46A0003	2	\$ 3.14	
20	201270290082	Pipe clamp board assembly		M46A0082	1	\$ 98.18	
21	201270390381	Chassis assembly		M46A0381	1	\$ 9.41	
22	202301300303	Pipe temperature sensor assembly		M46A0303	1	\$ 108.26	
23	203355190030	Wired controller		M46A0030	1	\$ 46.31	
24	203370190008	Display box assembly		M46A0008	1	\$ 204.48	
43	203319900796	Electronic control box assembly		M46A0796	1	\$ 9.41	
43.1	201270590340	Electronic control box		M46A0340	1	\$ 173.52	
43.2	201319902767	Inverter control board assembly		M46A2767	1	\$ 40.76	
43.3	202301900138	Radiator		M46A0138	1		

This information is to be used by qualify technicians only

KDIM2416- Part list No. P2ID16241301

Above prices, numbers, specifications subject to revision without notice

Drawing No. D2IT16121301

Above prices are subject S & H charges

DATE 13-01